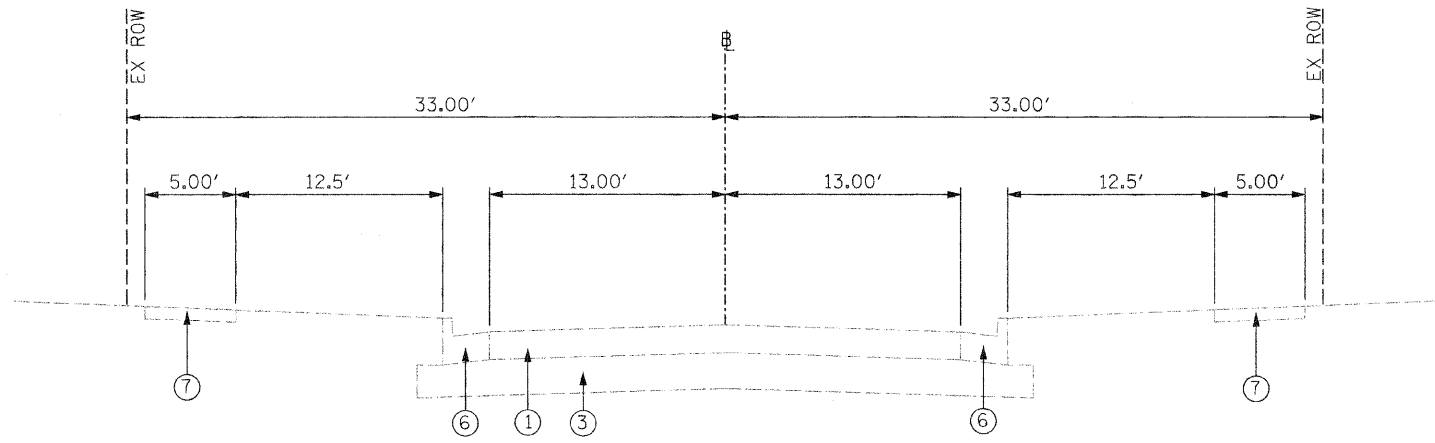
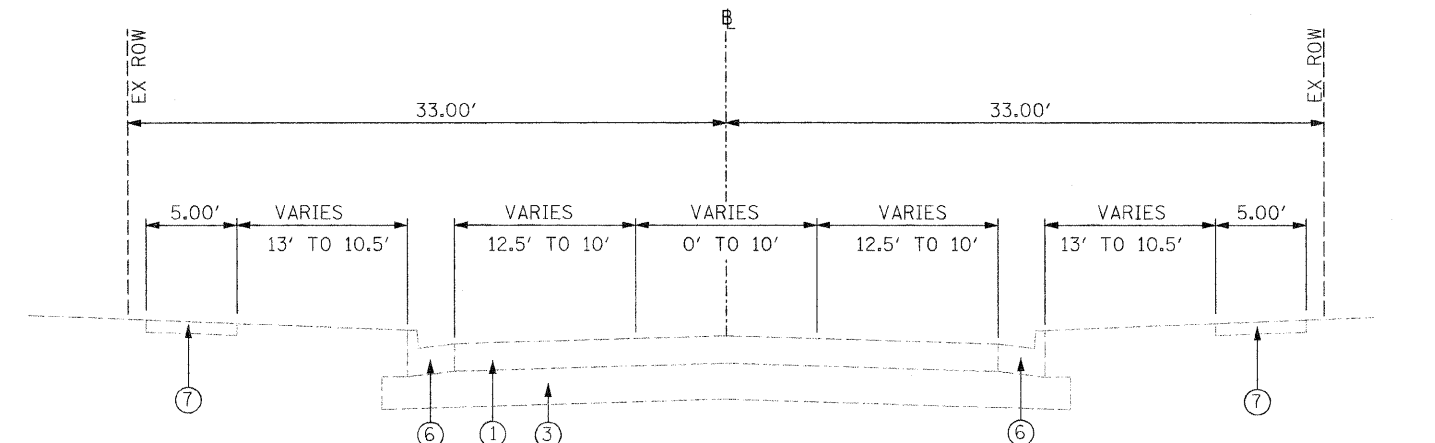


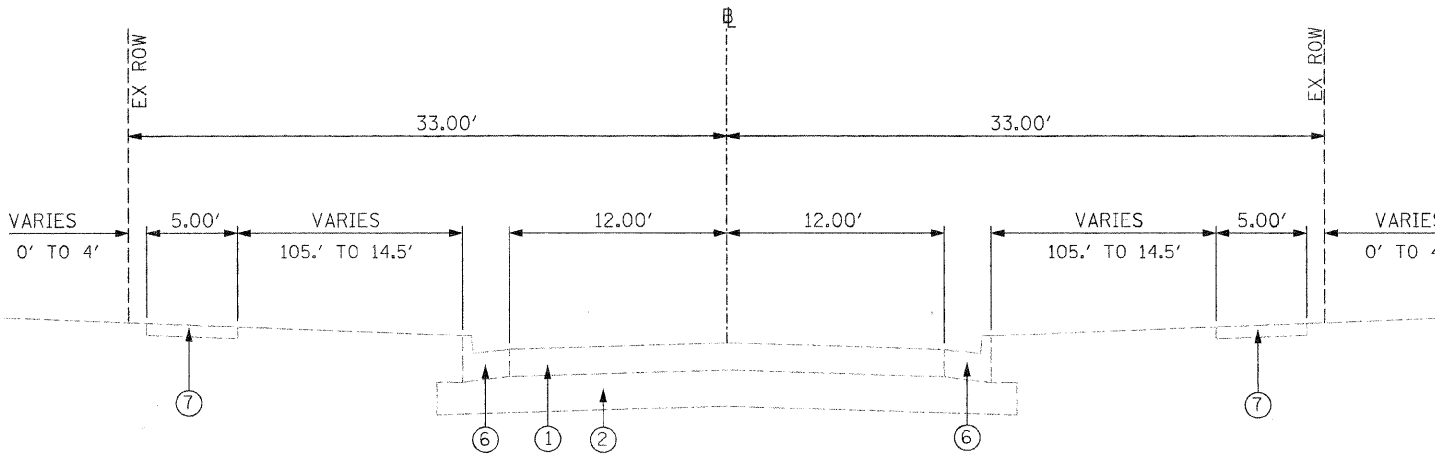
F.A.U. RTE.	SECTION	COUNTY	TOTAL SHEETS	SHEET NO.
2991	08-00095-02-PV	DUPAGE	55	4
STA.		TO STA.		
FED. ROAD DIST. NO.	ILLINOIS	FED. AID PROJECT		



EXISTING TYPICAL SECTION
STA. 152+31.74 TO STA. 168+82.89



EXISTING TYPICAL SECTION
STA. 168+82.89 TO STA. 175+83.84



EXISTING TYPICAL SECTION
STA. 175+83.84 TO STA. 215+40.95

- ① EXISTING PAVEMENT (2"-4" ASPHALT)
- ② EXISTING PAVEMENT (8" ASPHALT)
- ③ EXISTING SUB-BASE (2"-10" AGGREGATE)
- ④ EXISTING SUB-BASE (6"-8" PCC)
- ⑤ EXISTING SUB-BASE (4" BRICK)
- ⑥ EXISTING CONCRETE CURB AND GUTTER, TYPE B-6.12
- ⑦ EXISTING PCC SIDEWALK (5")

NOTE:
SEE BORING LOG SHEETS FOR EXISTING PAVEMENT
STRUCTURE TYPE/THICKNESS.

REVISIONS	
NAME	DATE

ILLINOIS DEPARTMENT OF TRANSPORTATION
PRAIRIE AVENUE RECONSTRUCTION
EXISTING
TYPICAL SECTIONS
SCALE: N.T.S.
DATE: 11/21/2008
DRAWN BY MTH
CHECKED BY DJL

PLOT DATE = 2/9/2009
FILE NAME = m:\downtown\grove\1012\phase2\acad\civil\revisions\1012-TS01-PHC.dgn
PLOT SCALE = 5/8" = 1' IN.