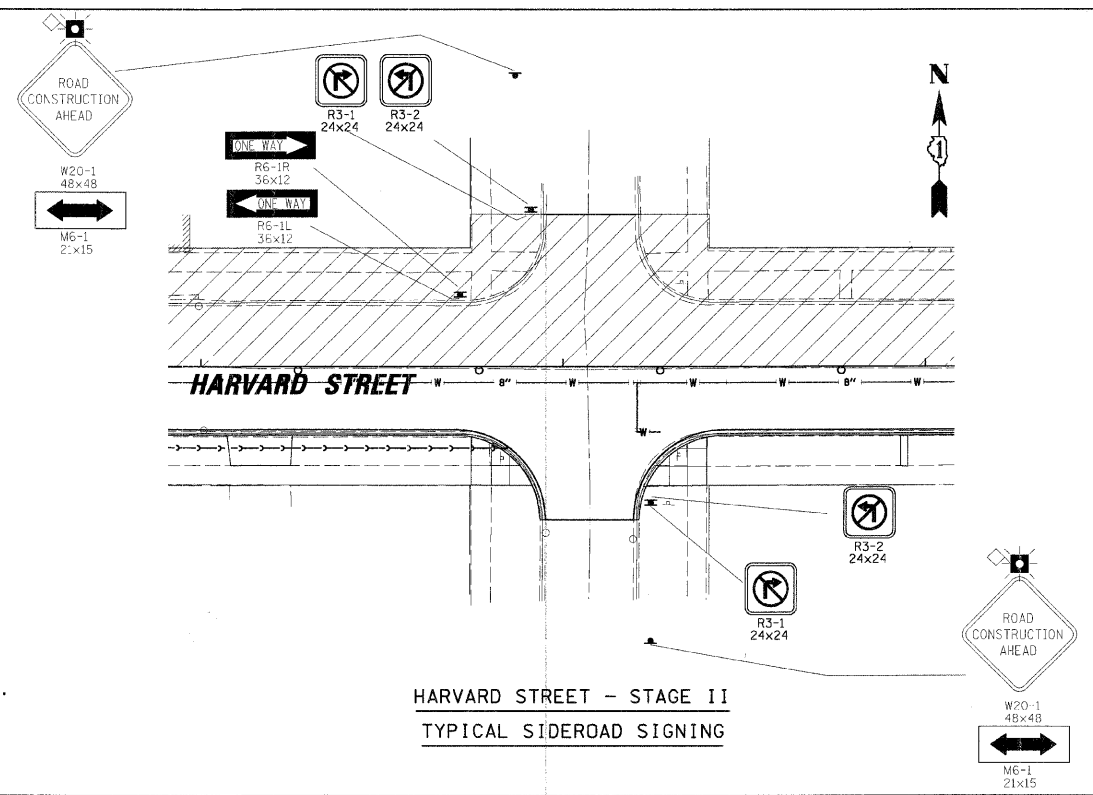


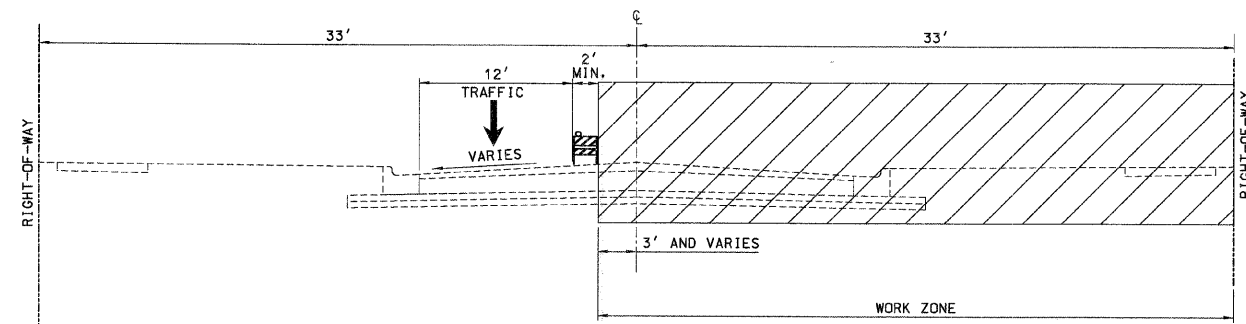
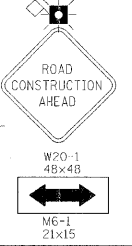
HARVARD STREET - STAGE I
TYPICAL SIDEROAD SIGNING



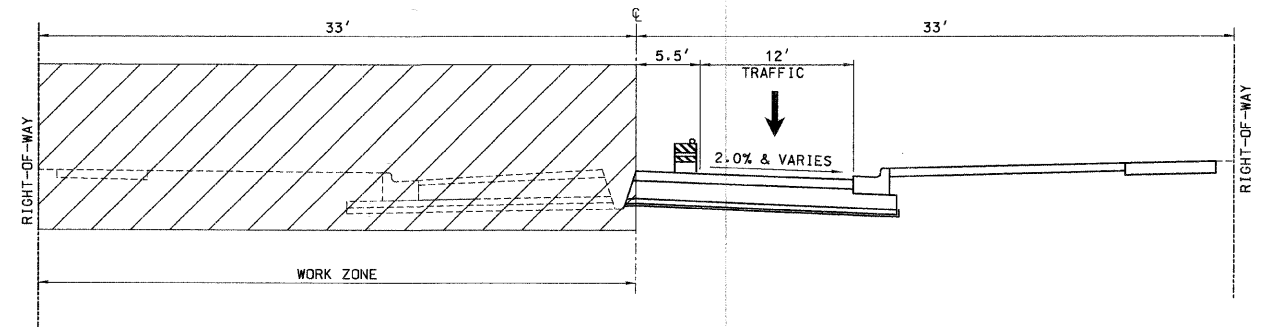
SIGNING NOTES:
 1. "NO LEFT TURN" AND "NO RIGHT TURN" SIGNS WILL BE PLACED AT ALL ALLEYS.
 2. THERE WILL BE NO ON-STREET PARKING ON HARVARD STREET DURING CONSTRUCTION. "NO PARKING" SIGNS (R7-1) WILL BE PLACED EVERY HALF-BLOCK (MINIMUM).



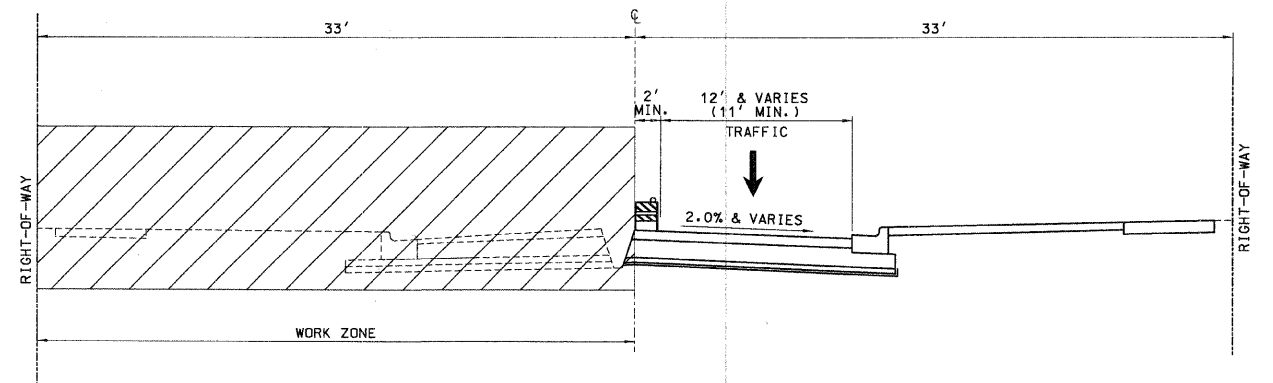
HARVARD STREET - STAGE II
TYPICAL SIDEROAD SIGNING



TYPICAL SECTIONS - STAGE I
STA. 100+58.77 TO STA 138+20.11



TYPICAL SECTIONS - STAGE II
STA. 100+58.77 TO STA 113+50
STA. 130+50 TO STA 138+20.11



TYPICAL SECTIONS - STAGE II
STA. 113+50 TO STA 130+50

FILE NAME = N:\FOREST\PARK\07002\Civil\MOT2_07002.dwg	USER NAME = JBARNETT	DESIGNED -	REVISED -
PLOT SCALE = N.T.S.	PLOT DATE = 2/18/2009	DRAWN -	REVISED -
		CHECKED -	REVISED -
		DATE -	REVISED -

STATE OF ILLINOIS
DEPARTMENT OF TRANSPORTATION

MAINTENANCE OF TRAFFIC - HARVARD STREET

SCALE: SHEET NO. OF SHEETS STA. TO STA.

F.A.U. RTE.	SECTION	COUNTY	TOTAL SHEETS	SHEET NO.
1702	07-00106-00-PV	COOK	75	10
CONTRACT NO. 63148				
FED. ROAD DIST. NO. 1 ILLINOIS FED. AID PROJECT				