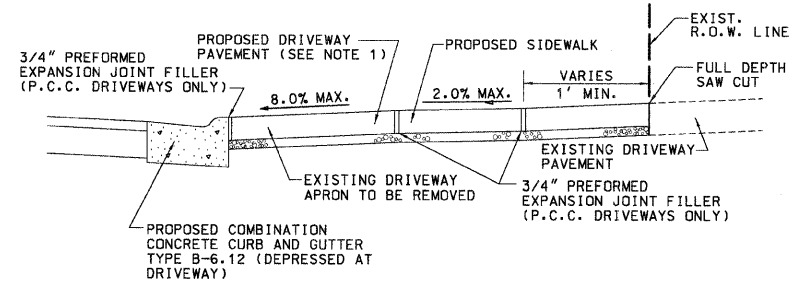


ELEVATION

PAVEMENT PATCHING  
(INCIDENTAL TO REMOVAL AND  
RECONSTRUCTION OF STRUCTURES)

N.T.S.

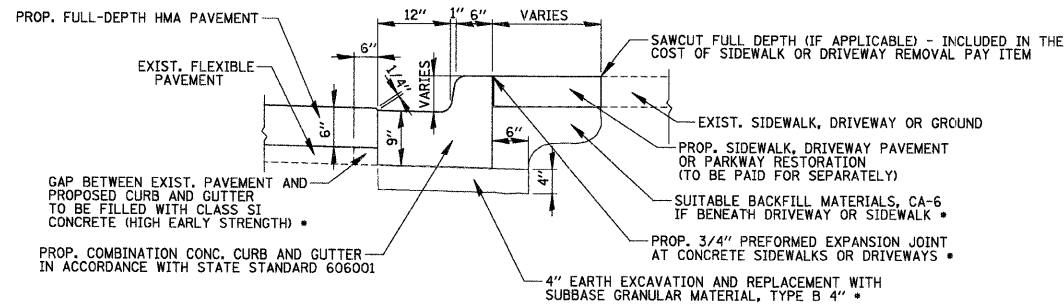


NOTES:

1. THE PROPOSED DRIVEWAY PAVEMENT SHALL CONSIST OF:  
A) 7" PORTLAND CEMENT CONCRETE AND 4" OF AGGREGATE BASE COURSE TYPE B IF THE EXISTING DRIVEWAY IS P.C. CONCRETE, OR
2. PREFORMED EXPANSION JOINT FILLER SHALL BE CONSIDERED INCIDENTAL TO P.C.C. DRIVEWAY PAVEMENT, OR

SECTION  
TYPICAL DRIVEWAY DETAILS

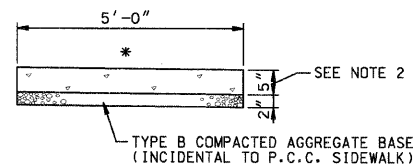
N.T.S.



COMBINATION CURB AND GUTTER ADJACENT TO EXIST. PAVEMENT AND/OR SIDEWALK

N.T.S.

NOTE:  
LONGITUDINAL BARS, IF ENCOUNTERED IN THE EXISTING CURB OR CURB AND GUTTER, ARE NOT TO BE REPLACED. CUTTING AND REMOVING LONGITUDINAL BARS SHALL BE INCLUDED IN THE COST OF CURB REMOVAL OR CURB AND GUTTER REMOVAL.



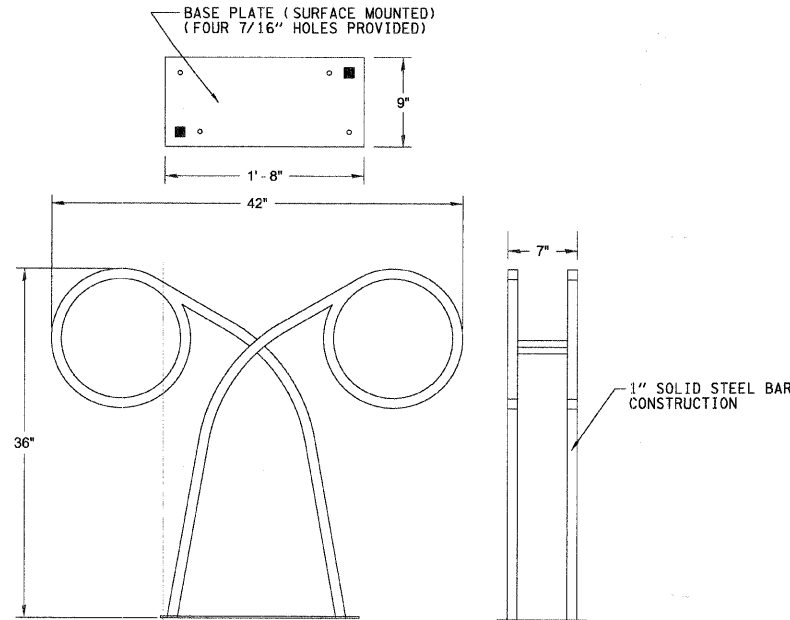
\* CROSS SLOPE 2% OR AS SHOWN ON CROSS SECTIONS

NOTES:

1. ALL REQUIRED EARTH EXCAVATION TO CONSTRUCT P.C.C. SIDEWALK SHALL BE INCIDENTAL TO THE P.C.C. SIDEWALK 5 INCH, SPECIAL.
2. THICKNESS SHALL BE INCREASED TO 7" WHERE SIDEWALK IS ADJACENT TO A CONCRETE DRIVEWAY. (COST INCIDENTAL)

P.C.C. SIDEWALK 5 INCH, SPECIAL

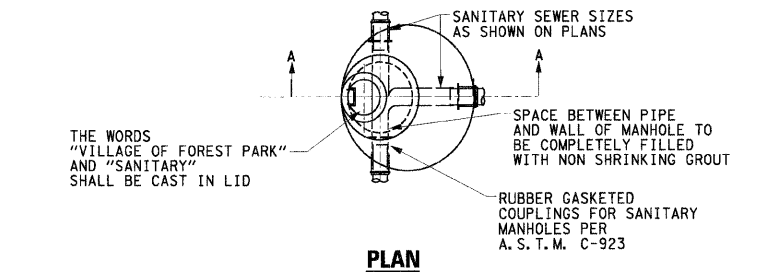
N.T.S.



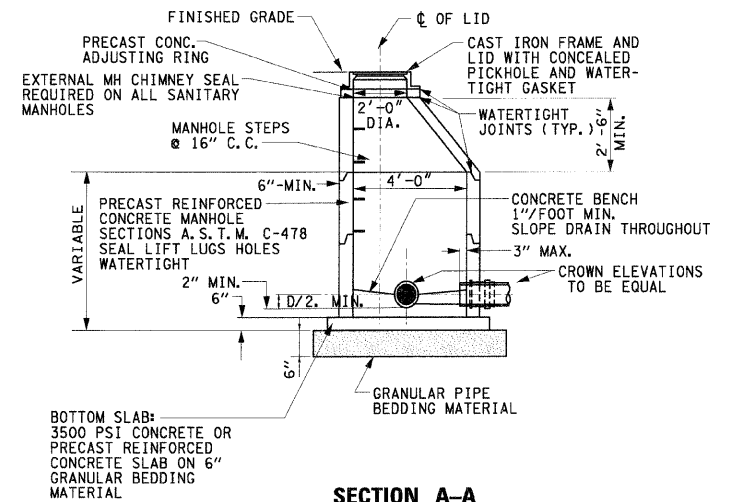
- NOTES: (1) IRONSMITH OASIS MODEL BR1 BIKE RACK OR APPROVED EQUAL. PRIOR TO ORDERING, CONTRACTOR SHALL SUBMIT MANUFACTURER'S TECHNICAL DATA, INCLUDING CERTIFICATION THAT EACH PRODUCT COMPLIES WITH THE SPECIFIED REQUIREMENTS. SUBMITTAL MUST SHOW COMPLETE DIMENSIONING AS WELL AS THE ANCHORING DETAIL.

BICYCLE RACKS DETAIL

N.T.S.



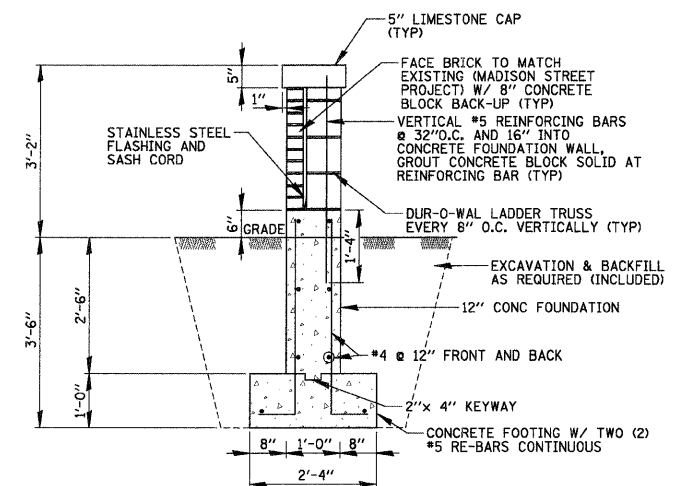
PLAN



SECTION A-A

STANDARD SANITARY MANHOLE

N.T.S.



NOTE: 1. PLACE 3/4" EXPANSION JOINTS AT 40' CENTERS.

WALL DETAIL

N.T.S.

FILE NAME =	USER NAME = JBARNETT	DESIGNED -	REVISED -
N:\FORESTPARK\070002\C.V.I\DET_070002.SHT		DRAWN -	REVISED -
		CHECKED -	REVISED -
		DATE -	REVISED -

STATE OF ILLINOIS  
DEPARTMENT OF TRANSPORTATION

CONSTRUCTION DETAILS - HARVARD STREET

SCALE: SHEET NO. OF SHEETS STA. TO STA.

F.A.U. RTE.	SECTION	COUNTY	TOTAL SHEETS	SHEET NO.
1702	07-00106-00-PV	COOK	75	29
CONTRACT NO. 63148				
FED. ROAD DIST. NO. 1 ILLINOIS FED. AID PROJECT				