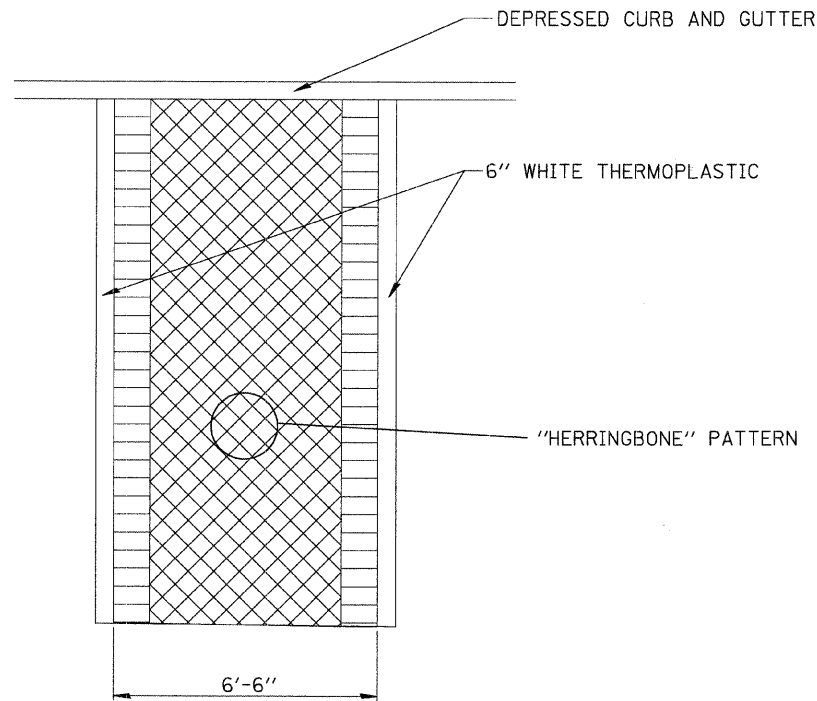
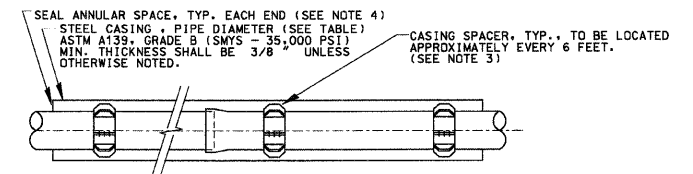


TYPICAL ALLEY RETURN
N.T.S.



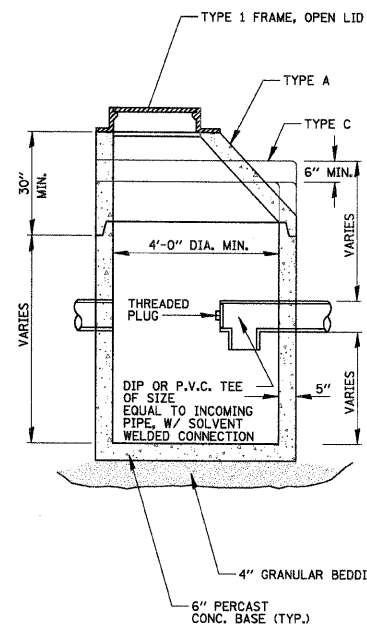
PATTERN STAMPED CROSSWALKS
N.T.S.



CARRIER PIPE DIA.	STEEL CASING PIPE DIA.
8"	20"

- NOTES:
- STEEL CASING SHALL BE ONE CONTINUOUS SECTION
 - SMYS - SPECIFIC MINIMUM YIELD STRENGTH
 - CASING SPACERS TO BE CASCADE MODEL CSS OR APPROVED EQUAL.
 - CASING END SEALS TO BE CASCADE MODEL CCES END SEALS OR APPROVED EQUAL. MORTARING OF CASING ENDS SUBJECT TO PRE-APPROVAL.
 - FOR WATERMAIN ALL PUSH JOINTS IN CASING SHALL HAVE "FIELD LOCK GASKETS".

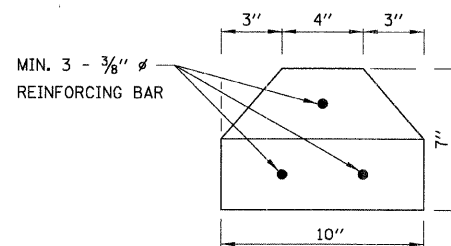
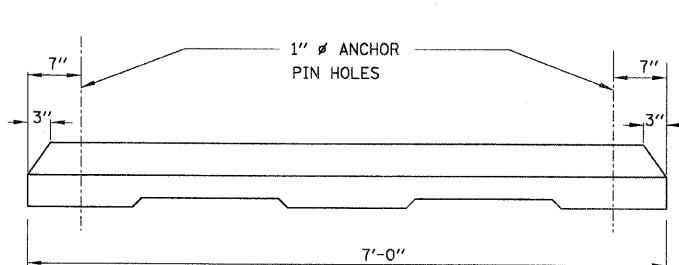
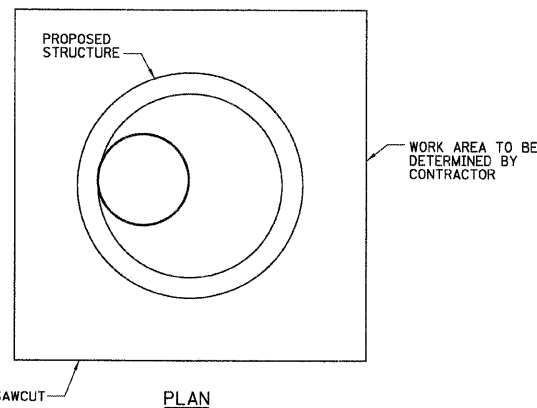
STEEL CASING PIPE DETAIL
N.T.S.



CATCH BASIN TYPE A WITH HALF TRAP

NOTE: INSTALL P.V.C. OR DIP TEE ON PIPES CONNECTION TO COMBINED OR RELIEF MANHOLES ONLY.

N.T.S.



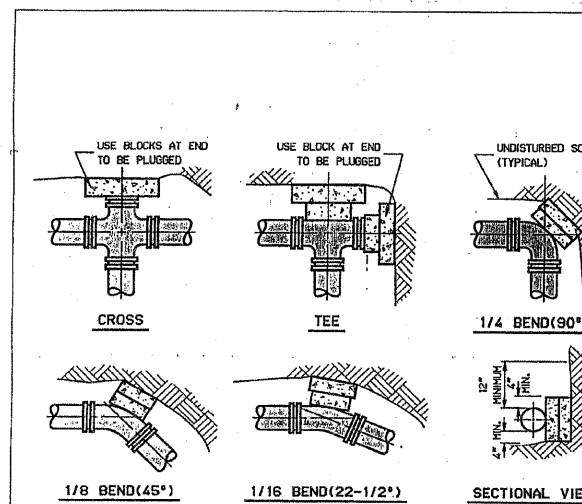
PRECAST CONCRETE PARKING BLOCK

N.T.S.

NOTES:

ANCHOR PINS SHALL BE 3/4" DIAMETER, 3' LONG.

CLASS PC CONCRETE SHALL BE USED THROUGHOUT.



GENERAL NOTES:

- THRUST BLOCKS TO BE USED AT 1/16 (22-1/2°) OR GREATER BENDS AND AT ALL ENDS TO BE PLUGGED.
- THRUST BLOCKS TO BE CONCRETE BLOCKS PLACED AGAINST FIRM, UNDISTURBED SOIL.

EDWIN HANCOCK ENGINEERING COMPANY
B. E.
2281/1988
REVISED

THRUST BLOCK DETAIL
DIVISION XII DRAWING NO. 7

VILLAGE OF FOREST PARK
WATER MAIN SYSTEM
SUPPLEMENTAL DETAILS

FILE NAME = N:\FORESTPARK\070082\Civil\DET_070082_02.SHT	USER NAME = JBARNETT	DESIGNED -	REVISED -
PLOT SCALE = N.T.S.	PLOT DATE = 2/18/2009	DRAWN -	REVISED -
		CHECKED -	REVISED -
		DATE -	REVISED -

STATE OF ILLINOIS
DEPARTMENT OF TRANSPORTATION

CONSTRUCTION DETAILS - HARVARD STREET

SCALE: SHEET NO. OF SHEETS STA. TO STA.

F.A.U. RTE. 1702	SECTION 07-00106-00-PV	COUNTY COOK	TOTAL SHEETS 75	SHEET NO. 30
CONTRACT NO. 63148				
FED. ROAD DIST. NO. 1 [ILLINOIS] FED. AID PROJECT				