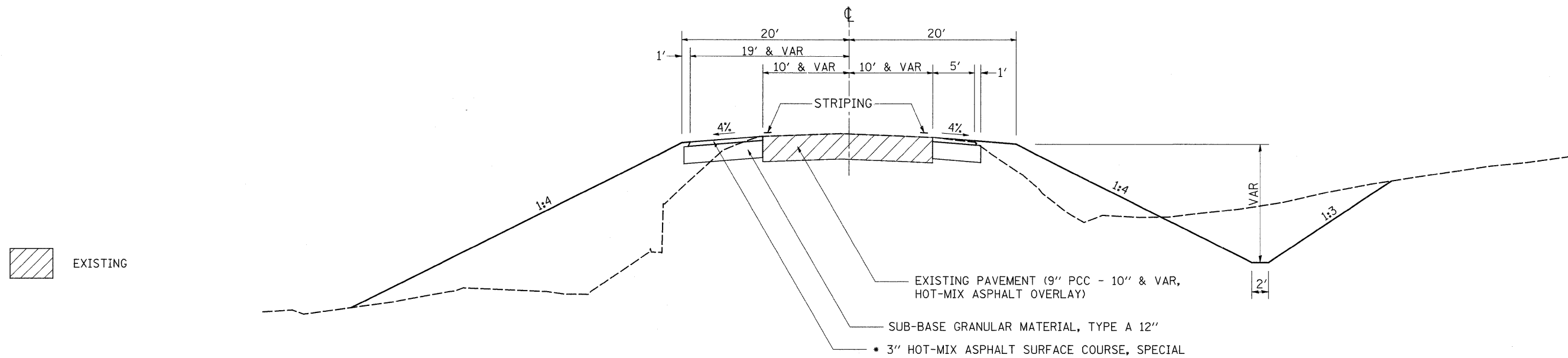


TYPICAL SECTIONS

IL ROUTE 78

LT STA 2+50 - 10+00

RT STA 2+50 - 7+00



NOTES:

- RATE OF APPLICATION = 112 LB/SQ YD/IN

FILE NAME =	USER NAME = hensonke	DESIGNED -	REVISED -	STATE OF ILLINOIS DEPARTMENT OF TRANSPORTATION	TYPICAL SECTIONS			F.A.P. RTE.	SECTION	COUNTY	TOTAL SHEETS	SHEET NO.
cr:\pw\work\PWIDOT\HENSONKE\dms33697\08787typ.dgn	787typ.dgn	DRAWN -	REVISED -					642	(10,11)T	JO DAVIESS	283	9
PLOT SCALE = 50.0000' / IN.		CHECKED -	REVISED -		CONTRACT NO. 64D07							
PLOT DATE = Tue Sep 30 10:55:37 2008		DATE -	REVISED -		SCALE:	SHEET NO.	OF SHEETS	STA.	TO STA.	FED. ROAD DIST. NO.	ILLINOIS FED. AID PROJECT	