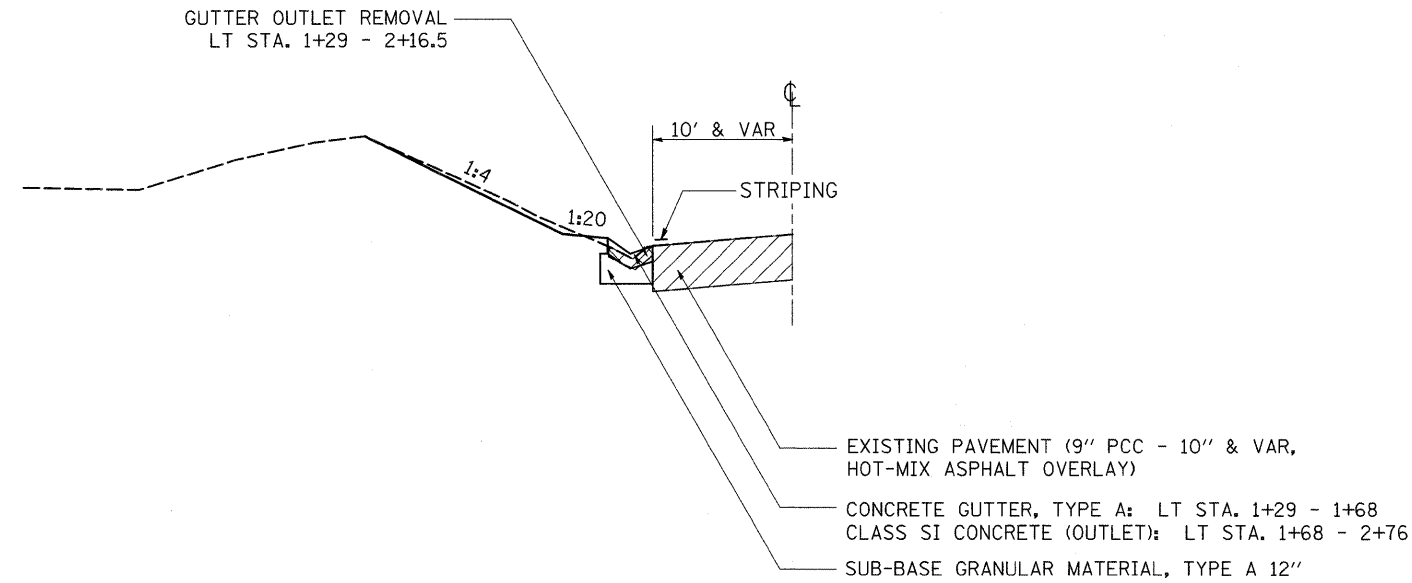


# TYPICAL SECTIONS

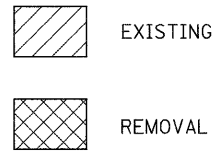
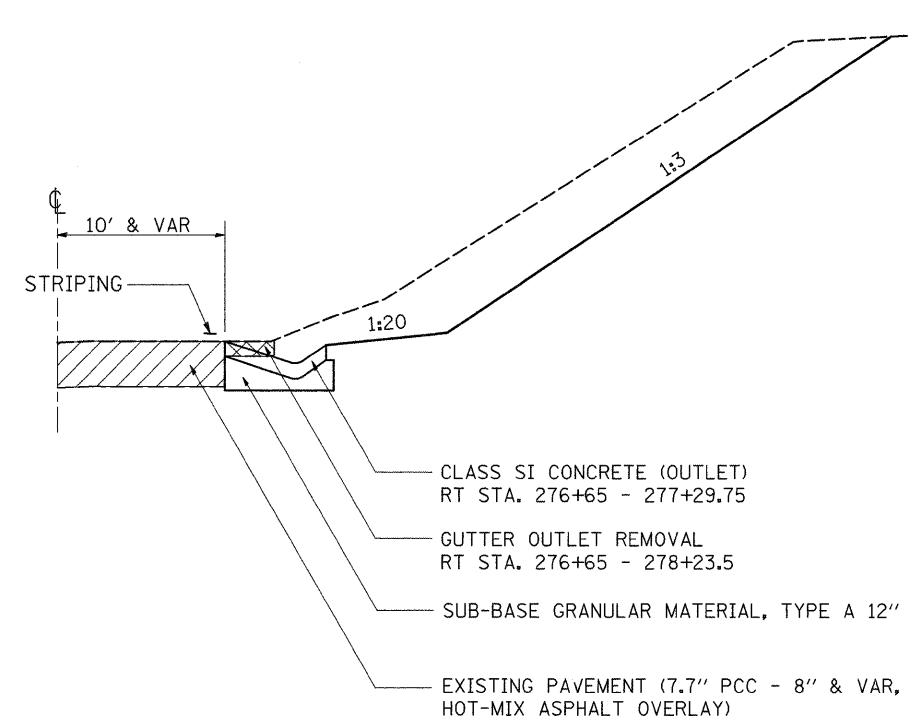
## IL ROUTE 78 - GUTTER/OUTLET LOCATION

LT STA 1+29 - 2+76



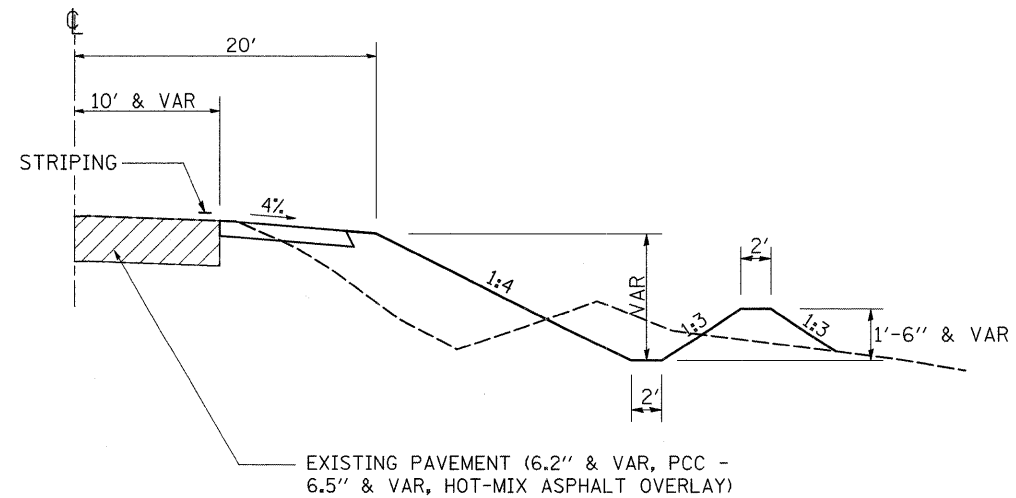
## IL ROUTE 78 - OUTLET LOCATION

RT STA 276+65 - 277+29.75



## IL ROUTE 78 - BERM LOCATION

LT STA 53+50 - 56+00  
RT STA 402+50 - 404+00  
RT STA 405+00 - 407+50



|   |                                      |            |           |   |   |  |  |                    |          |            |                 |              |
|---|--------------------------------------|------------|-----------|---|---|--|--|--------------------|----------|------------|-----------------|--------------|
| FILE NAME =                                       | USER NAME = hensonke                 | DESIGNED - | REVISED - | <b>STATE OF ILLINOIS<br/>DEPARTMENT OF TRANSPORTATION</b> | <b>TYPICAL SECTIONS</b>                       |  |  | F.A.P.<br>RTE.     | SECTION  | COUNTY     | TOTAL<br>SHEETS | SHEET<br>NO. |
| or\pw\work\PWIDOT\HENSONKE\dms33697\80787.tpd.dgn | PLOT SCALE = 50.0000' / IN.          | DRAWN -    | REVISED - |   |   |  |  | 642                | (10,11)T | JO DAVIESS | 283             | 13           |
|   | PLOT DATE = Tue Sep 30 10:55:38 2009 | CHECKED -  | REVISED - |   | SCALE: SHEET NO. OF SHEETS STA. TO STA.       |  |  | CONTRACT NO. 64D07 |          |            |                 |              |
|   |                                      | DATE -     | REVISED - |   | FED. ROAD DIST. NO. ILLINOIS FED. AID PROJECT |  |  |                    |          |            |                 |              |