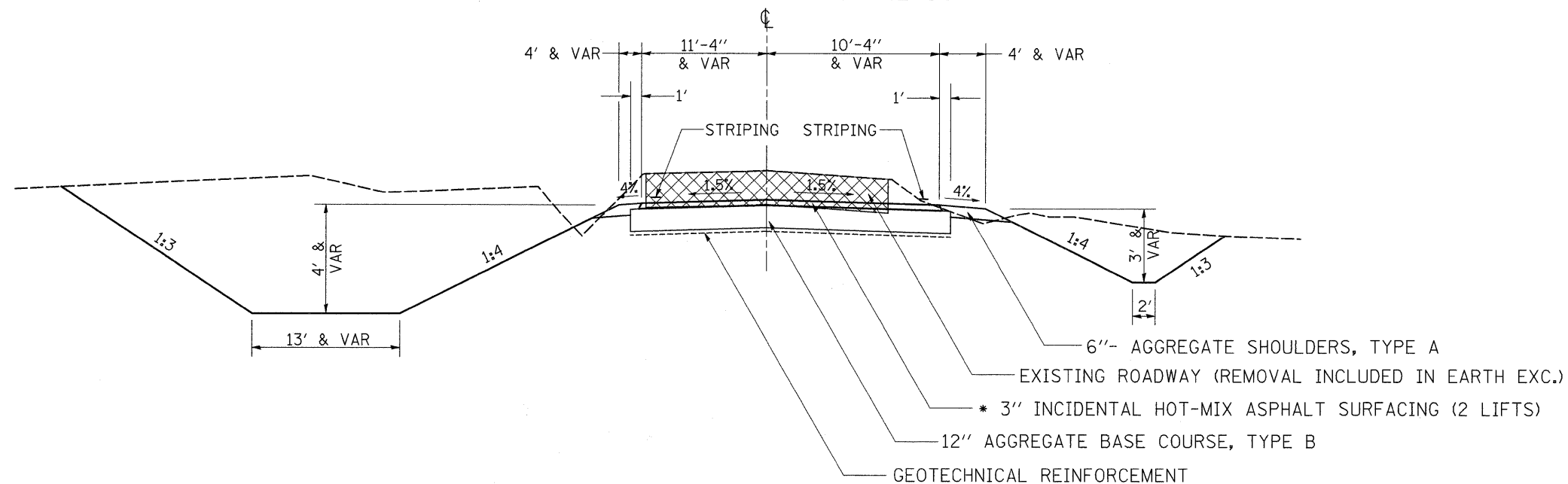


TYPICAL SECTIONS

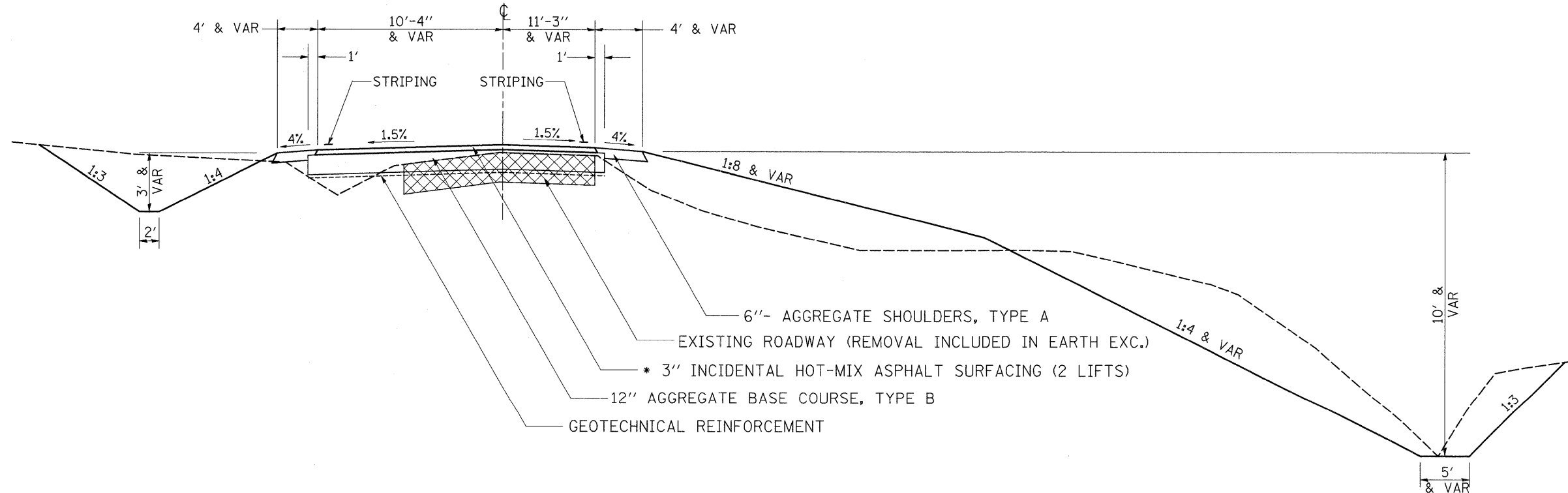
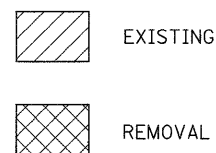
WILLOW ROAD

STA 40+10.47 - STA 42+50



BETHEL ROAD

STA 88+00 - STA 89+89.31



NOTES:

* RATE OF APPLICATION = 112 LB/SQ YD/IN

FILE NAME =	USER NAME = hensonke	DESIGNED -	REVISED -	STATE OF ILLINOIS DEPARTMENT OF TRANSPORTATION	TYPICAL SECTIONS			F.A.P. RTE.	SECTION	COUNTY	TOTAL SHEETS	SHEET NO.
cr:\pwork\p\WIDOT\HENSONKE\dms33697\108707typ.dgn	PLOT SCALE = 50.0000' / IN.	DRAWN -	REVISED -					642	(10,11)T	JO DAVIESS	283	14
PLOT DATE = Tue Sep 30 10:55:30 2008	DATE -	CHECKED -	REVISED -		SCALE:	SHEET NO.	OF SHEETS	STA.	TO STA.	FED. ROAD DIST. NO.	ILLINOIS FED. AID PROJECT	CONTRACT NO. 64D07
		DATE -	REVISED -									