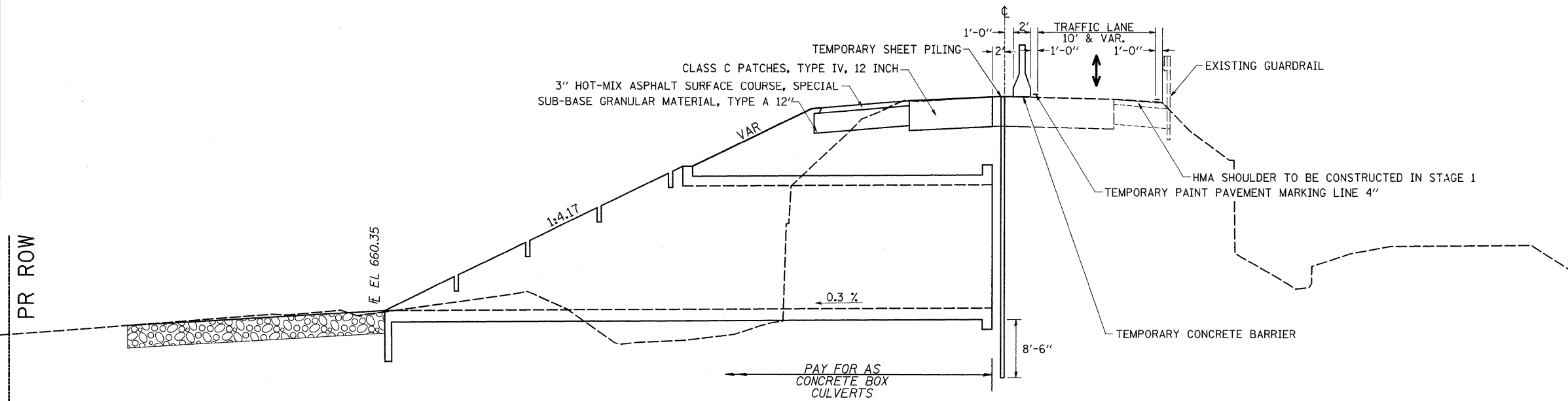


# STAGING CULVERT TYPICALS

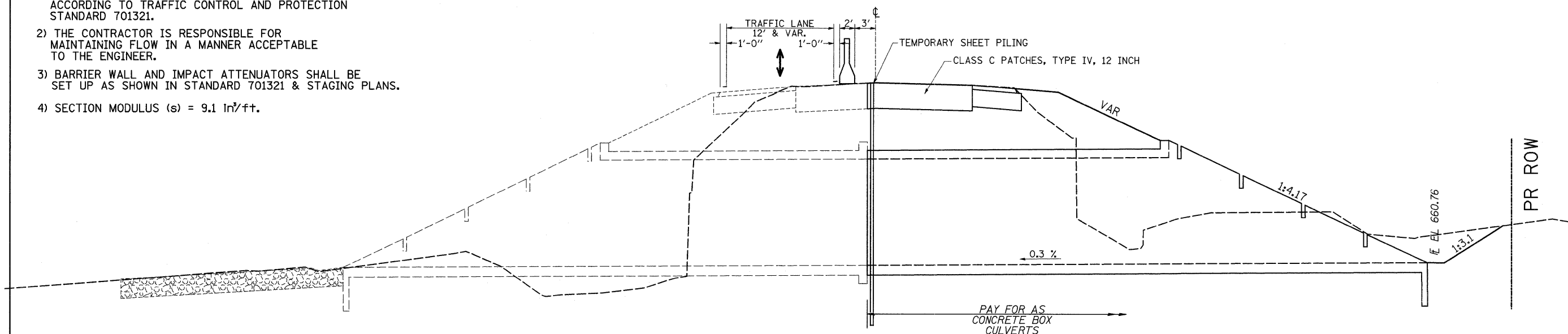
## 6'x6' Box Culvert @ 10.8° Skew

### STA. 4 + 86.61

#### STAGE 2



#### STAGE 3



#### GENERAL NOTES:

- 1) TRAFFIC CONTROL TO BE SET UP AND PAID FOR ACCORDING TO TRAFFIC CONTROL AND PROTECTION STANDARD 701321.
- 2) THE CONTRACTOR IS RESPONSIBLE FOR MAINTAINING FLOW IN A MANNER ACCEPTABLE TO THE ENGINEER.
- 3) BARRIER WALL AND IMPACT ATTENUATORS SHALL BE SET UP AS SHOWN IN STANDARD 701321 & STAGING PLANS.
- 4) SECTION MODULUS (s) = 9.1 In<sup>2</sup>/ft.

FILE NAME =	USER NAME = hensonke	DESIGNED -	REVISED -	<b>STATE OF ILLINOIS DEPARTMENT OF TRANSPORTATION</b>	<b>TYPICAL SECTIONS</b>				F.A.P. RTE.	SECTION	COUNTY	TOTAL SHEETS	SHEET NO.
cr\pwork\p\WIDOT\HENSONKE\dms33697\d0707typ.dgn	PLOT SCALE = 50.0000' / IN.	DRAWN -	REVISED -						642	(10,11)T	JO DAVIESS	283	15
PLOT DATE = Tue Sep 30 10:55:37 2008	DATE -	CHECKED -	REVISED -		CONTRACT NO. 64D07								
					SCALE:	SHEET NO.	OF SHEETS	STA.	TO STA.	FED. ROAD DIST. NO.	ILLINOIS FED. AID PROJECT		