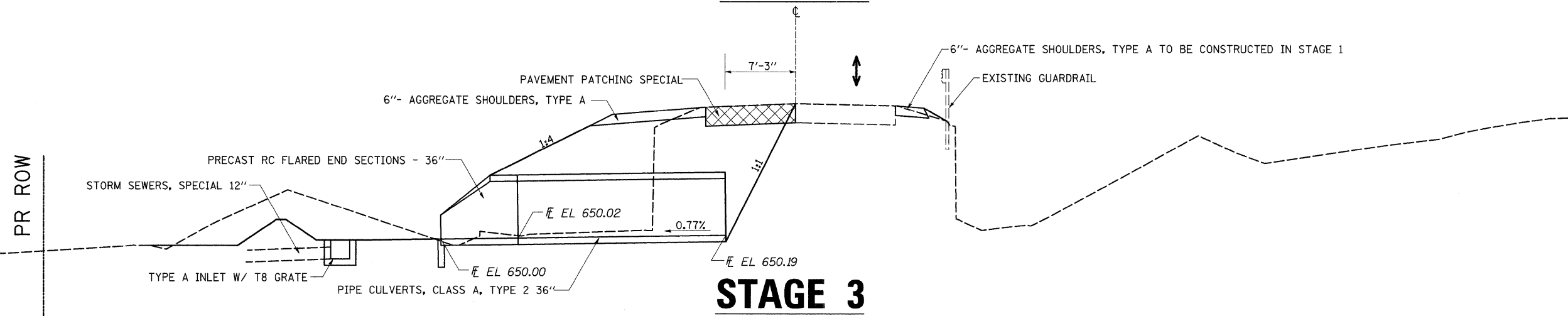


STAGING CULVERT TYPICALS

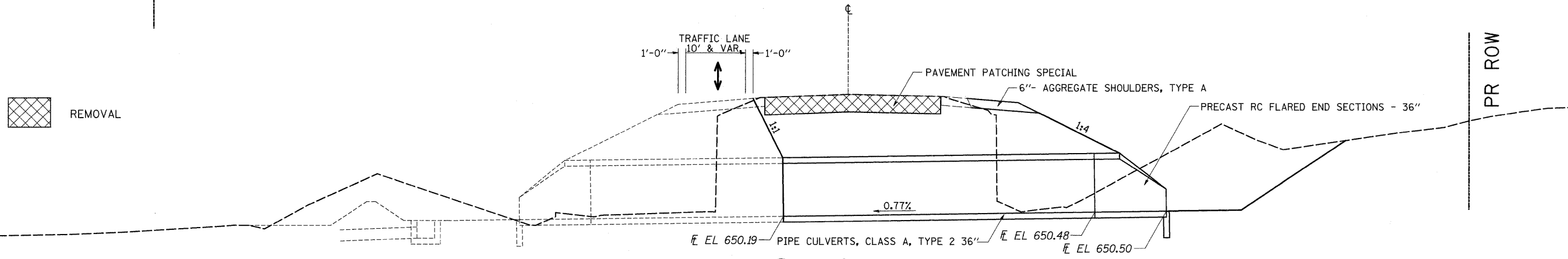
Four 36" Pipe Culverts

STA. 54 + 49.03

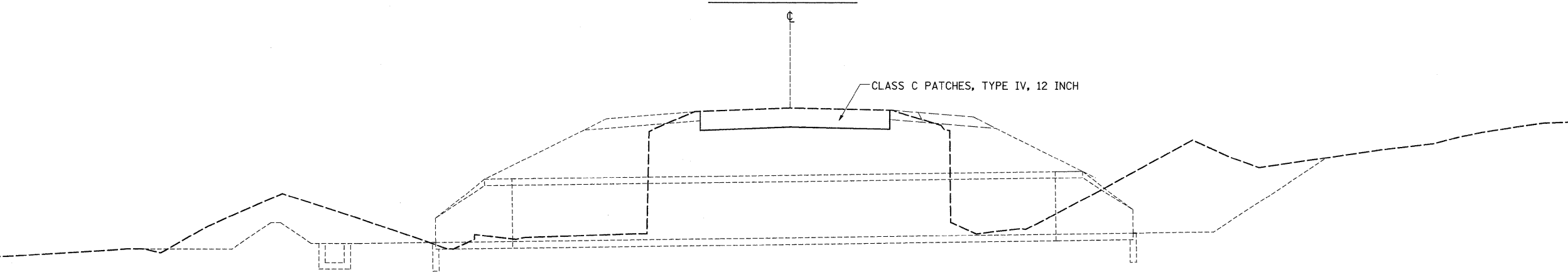
STAGE 2



STAGE 3



STAGE 4



REMOVAL

GENERAL NOTES:
 1) TRAFFIC CONTROL TO BE SET UP AND PAID FOR ACCORDING TO TRAFFIC CONTROL AND PROTECTION STANDARDS 701006, 701201, 701301, 701306, & 701311.

FILE NAME =	USER NAME = hensonke	DESIGNED -	REVISED -	STATE OF ILLINOIS DEPARTMENT OF TRANSPORTATION	TYPICAL SECTIONS			F.A.P. RTE.	SECTION	COUNTY	TOTAL SHEETS	SHEET NO.
os:\pw\work\PIWIDOT\HENSONKE\dms33697\0877071.dgn	DRAWN -	REVISED -	642					(10,11)T	JO DAVIESS	283	16	
PLOT SCALE = 50.0000' / IN.	CHECKED -	REVISED -	CONTRACT NO. 64D07									
PLOT DATE = Tue Sep 30 10:55:37 2008	DATE -	REVISED -	FED. ROAD DIST. NO. ILLINOIS FED. AID PROJECT									