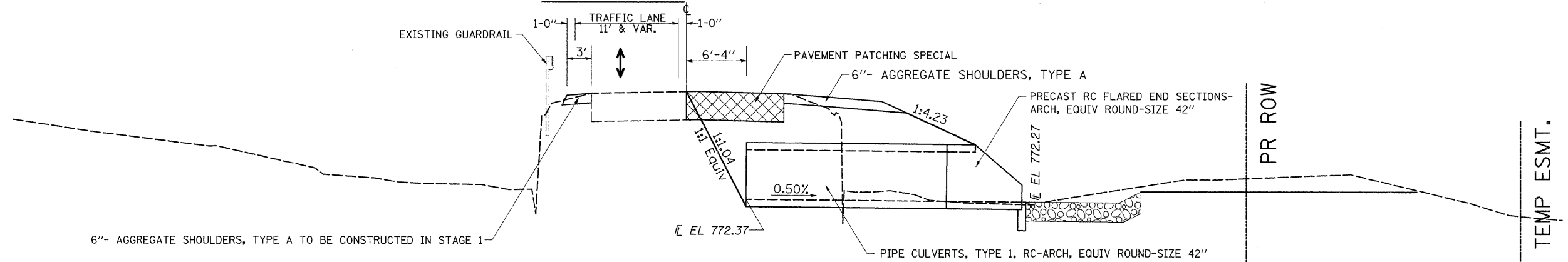


STAGING CULVERT TYPICALS

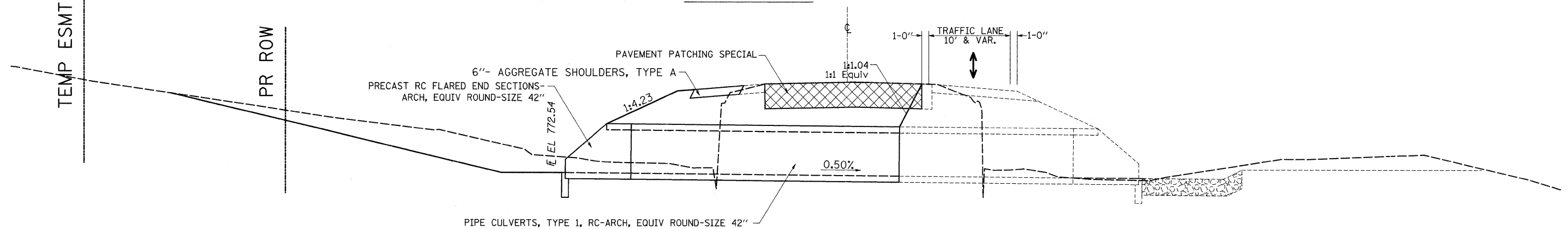
42" Equivalent Arch Pipe Culvert @ 15.0° Skew

STA. 404 + 70.72

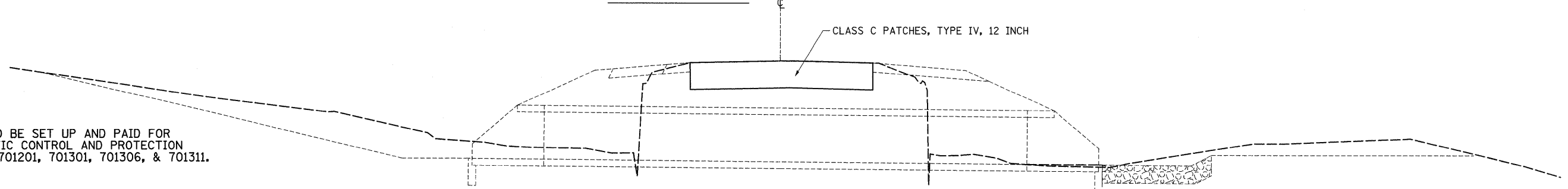
STAGE 1



STAGE 2



STAGE 3



GENERAL NOTES:

- 1) TRAFFIC CONTROL TO BE SET UP AND PAID FOR ACCORDING TO TRAFFIC CONTROL AND PROTECTION STANDARDS 701006, 701201, 701301, 701306, & 701311.

FILE NAME =	USER NAME = hensonke	DESIGNED -	REVISED -	STATE OF ILLINOIS DEPARTMENT OF TRANSPORTATION	TYPICAL SECTIONS	F.A.P. RTE.	SECTION	COUNTY	TOTAL SHEETS	SHEET NO.	
at\pwork\PW100T\HENSONKE\dms33697\80787typ.dgn		DRAWN -	REVISED -			642	(10,11)T	JO DAVIESS	283	18	
PLOT SCALE = 50.0000' / IN.		CHECKED -	REVISED -			CONTRACT NO. 64D07					
PLOT DATE = Tue Sep 30 10:55:38 2008		DATE -	REVISED -			FED. ROAD DIST. NO. ILLINOIS FED. AID PROJECT					
						SCALE:	SHEET NO.	OF SHEETS	STA.	TO STA.	