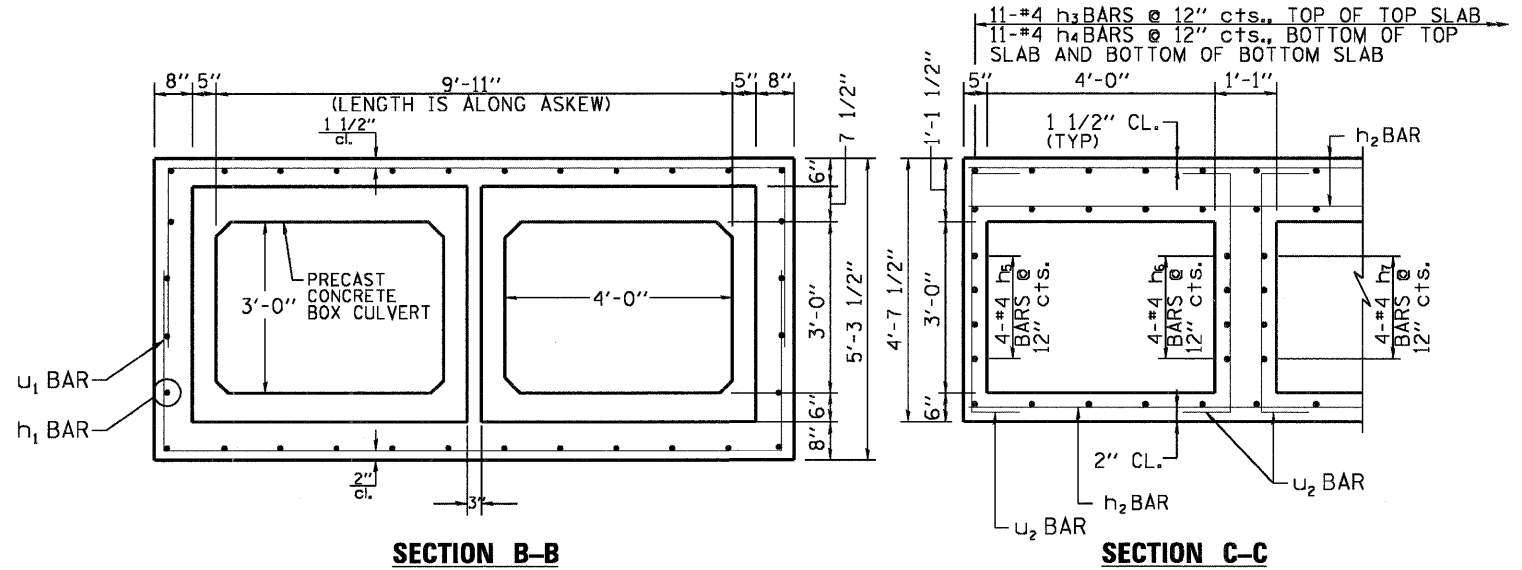
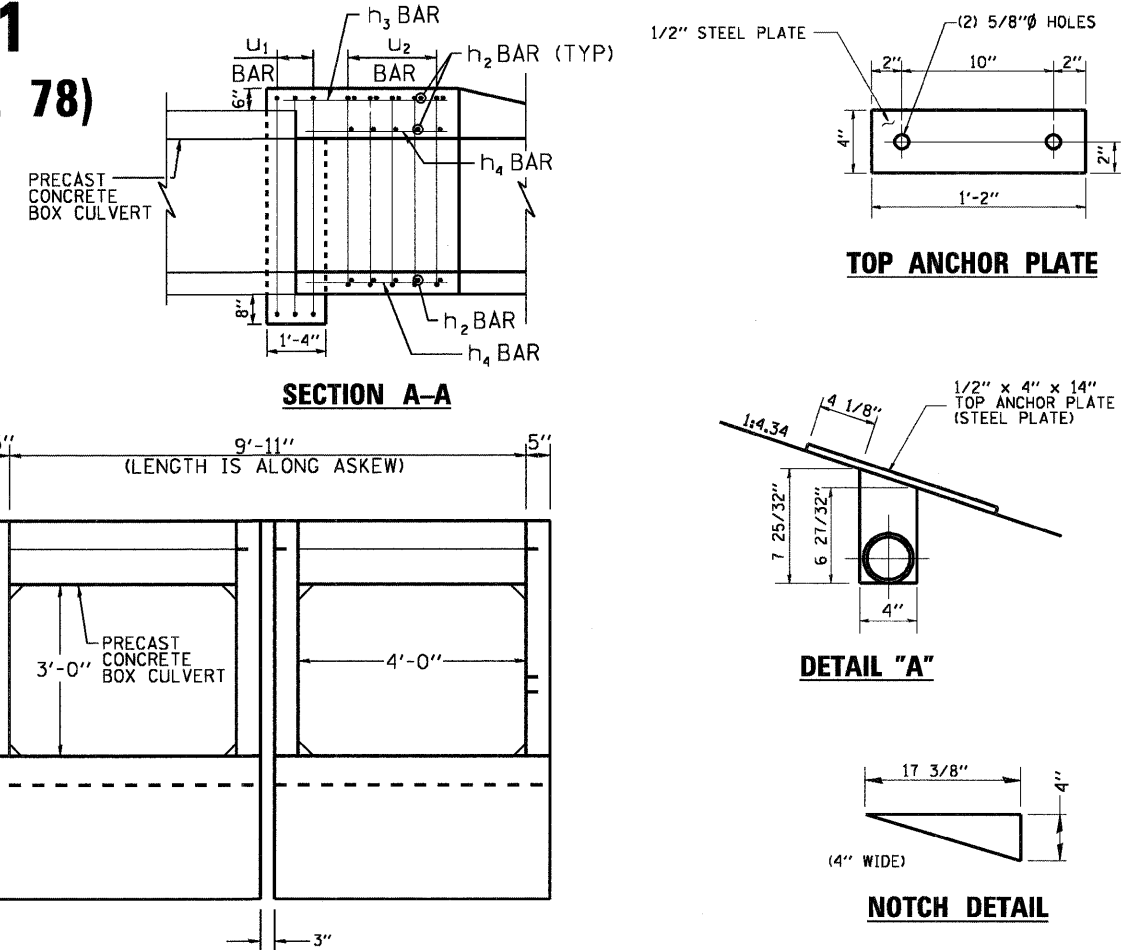
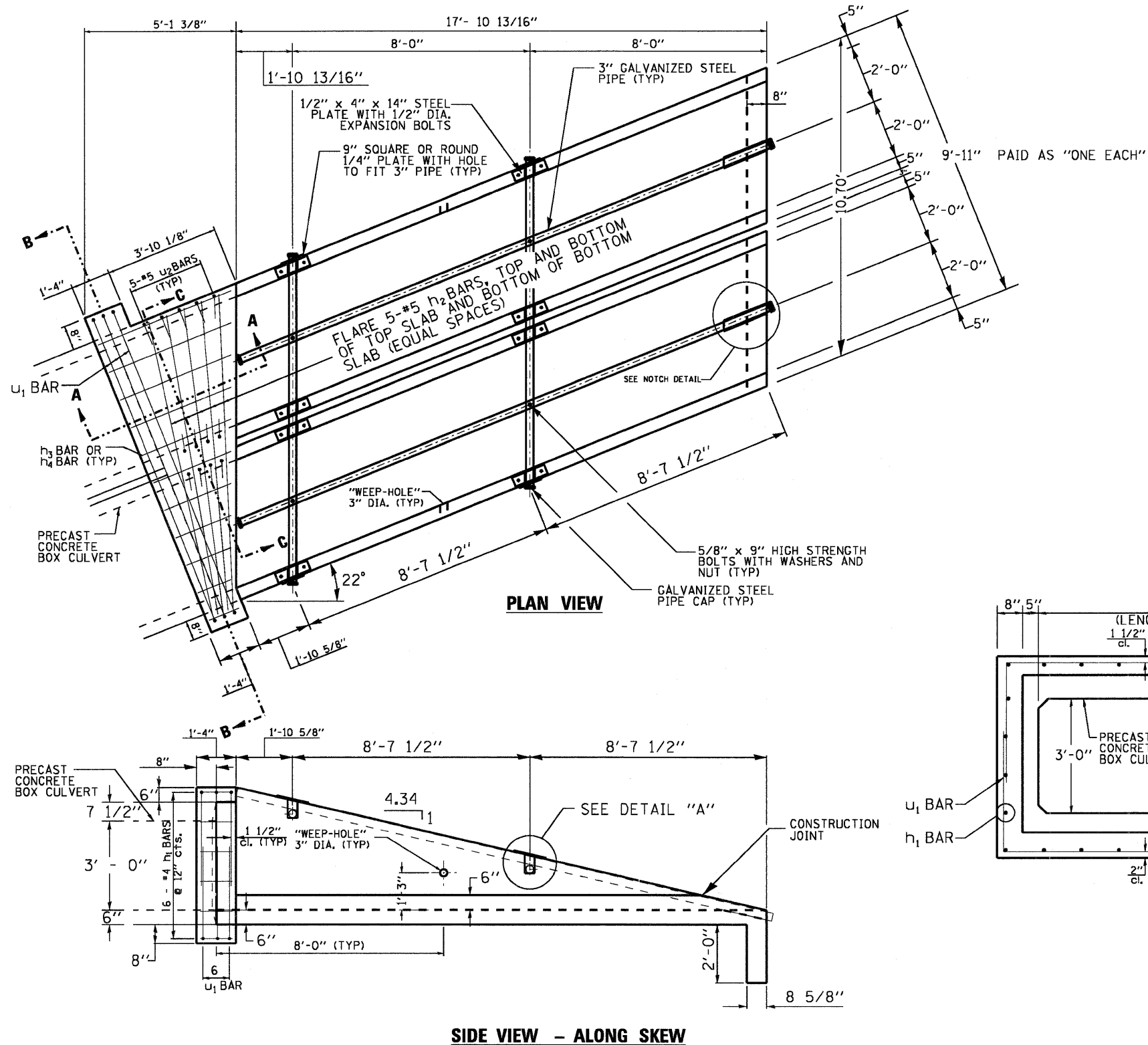


# GRATED CULVERT EXTENSION NO. 1

## SN 043-1063 - LT & RT STA 182+98.97 (IL RTE 78)

### TWIN CULVERT @ 22° SKEW



TO THE BEST OF MY KNOWLEDGE, INFORMATION AND BELIEF, THIS DESIGN IS STRUCTURALLY ADEQUATE FOR THE DESIGN LOADING SHOWN ON THE PLANS. THE DESIGN IS AN ECONOMICAL ONE FOR THE STYLE OF STRUCTURE AND COMPLIES WITH REQUIREMENTS OF THE CURRENT "AASHTO STANDARD SPECIFICATIONS FOR HIGHWAY BRIDGES".

H. J. S. S. E.

FILE NAME =	USER NAME = *USER*	DESIGNED MGH	REVISED -	<b>STATE OF ILLINOIS</b>	<b>GRATED CULVERT EXTENSION NO.1 SHEET 1 OF 2</b>	F.A.P. RTE. 642	SECTION (10, 11)T	COUNTY JODAVIESS	TOTAL SHEETS 283	SHEET NO. 89
		DRAWN WJH	REVISED -	<b>DEPARTMENT OF TRANSPORTATION</b>	SCALE: SHEET NO. OF SHEETS STA. TO STA.					
		CHECKED RGD	REVISED -							
		DATE 9/26/2008	REVISED -							<b>CONTRACT NO. 64007</b>