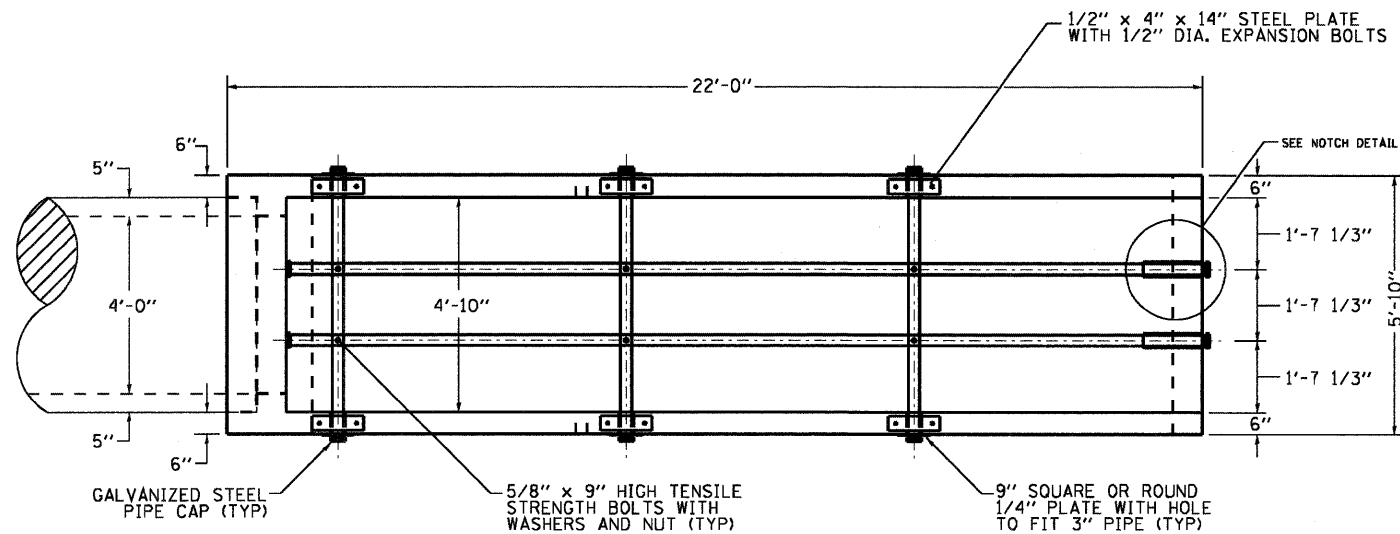
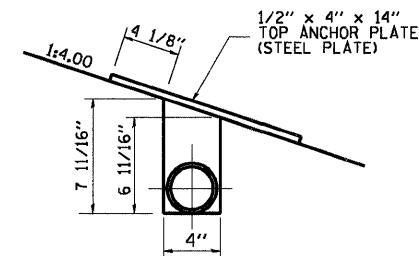


GRATED CULVERT EXTENSION NO. 2

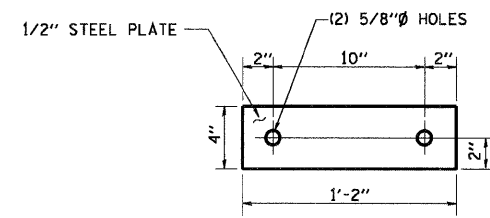
SN 043-1068 - RT STA 448+28.40 (IL RTE 78)



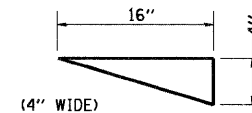
PLAN VIEW



DETAIL "A"

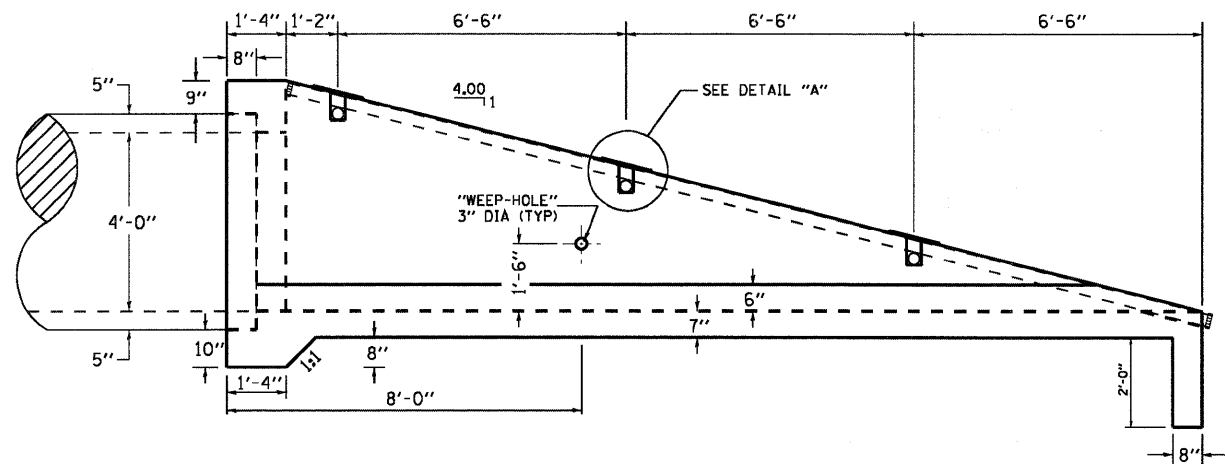


TOP ANCHOR PLATE

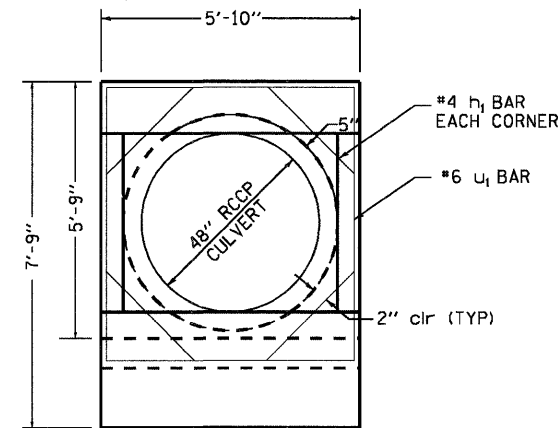


NOTCH DETAIL

PAID AS "ONE EACH"



SIDE VIEW



END VIEW

TO THE BEST OF MY KNOWLEDGE, INFORMATION AND BELIEF, THIS DESIGN IS STRUCTURALLY ADEQUATE FOR THE DESIGN LOADING SHOWN ON THE PLANS. THE DESIGN IS AN ECONOMICAL ONE FOR THE STYLE OF STRUCTURE AND COMPLIES WITH REQUIREMENTS OF THE CURRENT "AASHTO STANDARD SPECIFICATIONS FOR HIGHWAY BRIDGES".



FILE NAME =	USER NAME = #USER#	DESIGNED <i>MGH</i>	REVISED -	STATE OF ILLINOIS DEPARTMENT OF TRANSPORTATION	GRATED CULVERT EXTENSION NO. 2 SHEET 1 OF 2	F.A.P. RTE. 642	SECTION (10, 11)T	COUNTY JODAVIESS	TOTAL SHEETS 283	SHEET NO. 91		
	PLOT SCALE = 1:50	DRAWN <i>WJH</i>	REVISED -			SCALE:	SHEET NO. OF SHEETS STA. TO STA.	CONTRACT NO. 64007				
	PLOT DATE = #DATE#	CHECKED <i>RGD</i>	REVISED -									
		DATE <i>9/26/2008</i>	REVISED -									