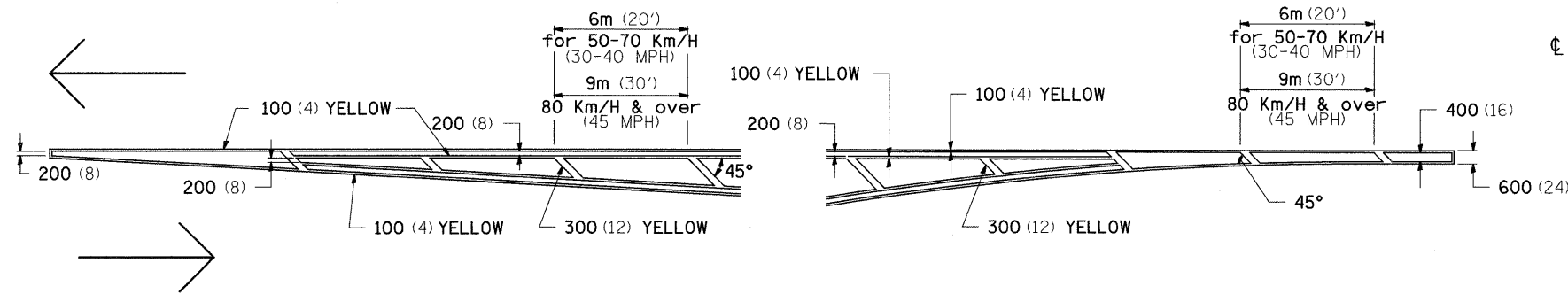
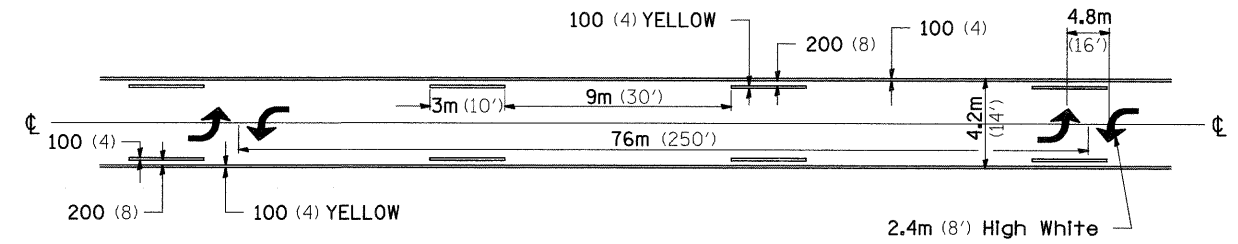


# TYPICAL PAVEMENT MARKINGS

## TYPICAL PAVEMENT MARKING FOR FLUSH MEDIAN AT LEFT TURN LANE

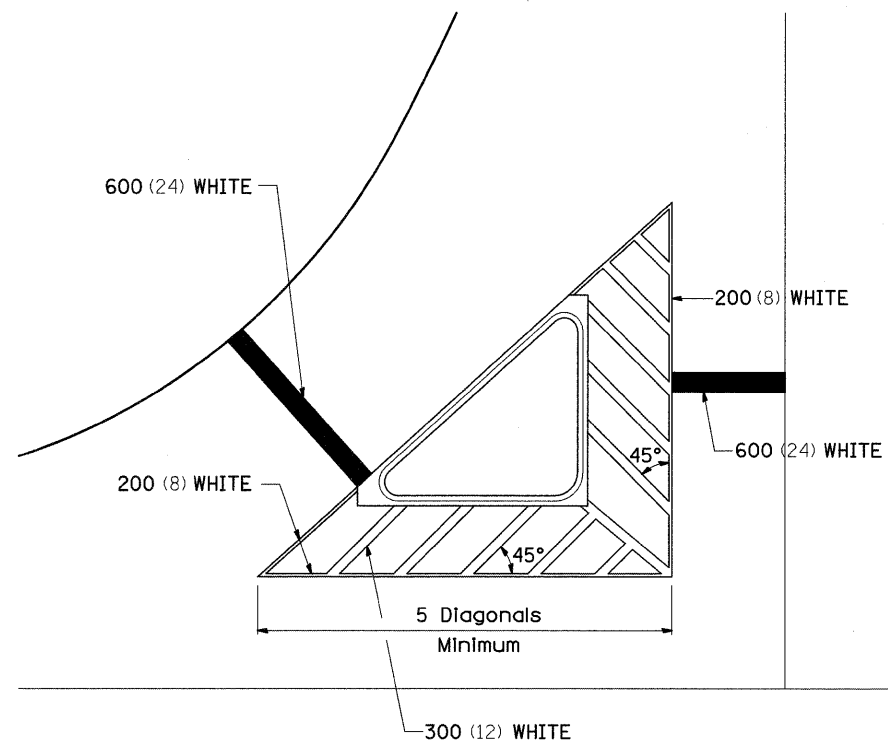


## MEDIAN PAVEMENT MARKING

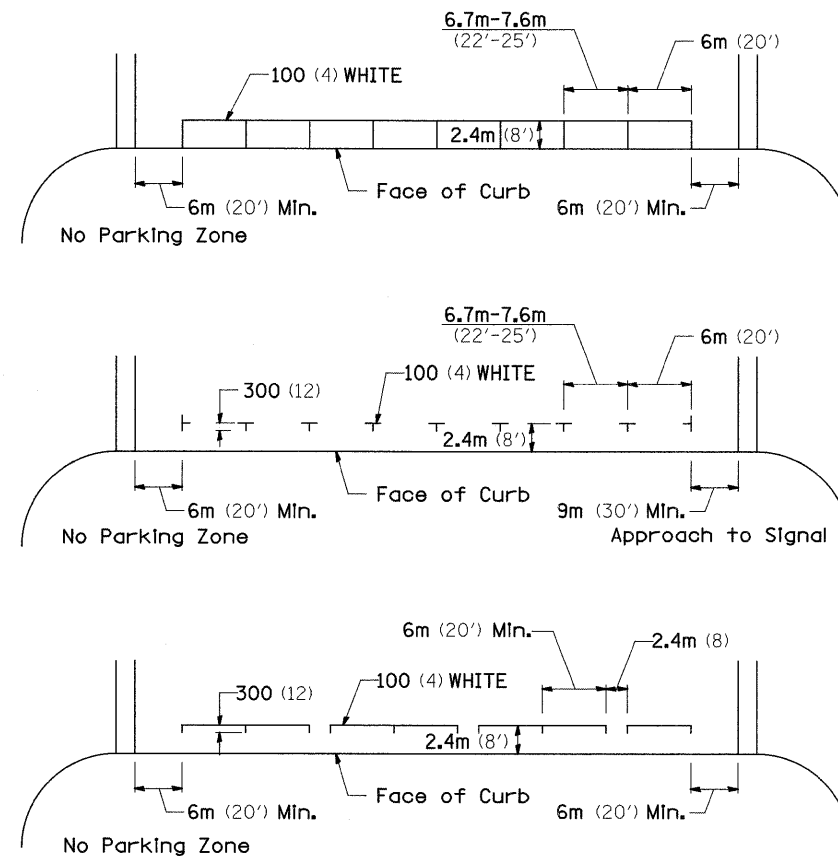


\*\* ALL DIMENSIONS ARE IN MILLIMETERS (INCHES) UNLESS OTHERWISE NOTED.

## TYPICAL ISLAND OFFSET SHOULDER WIDTH

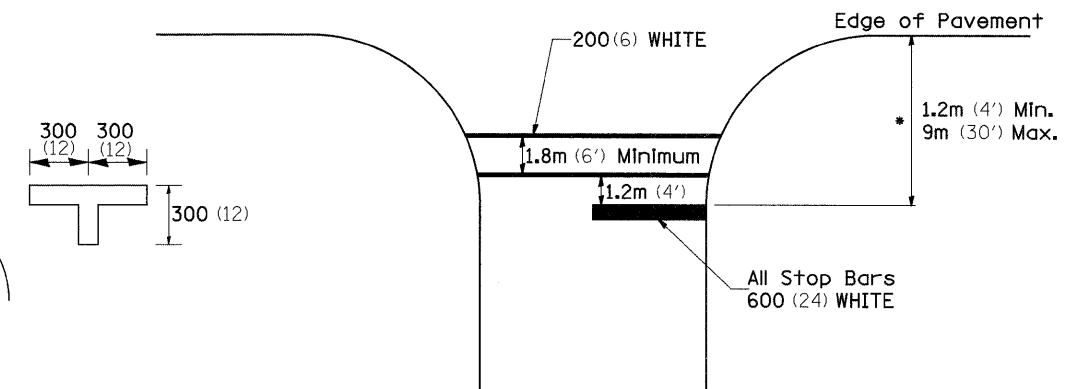


## TYPICAL PARKING SPACING



## STANDARD CROSSWALK MARKING

See Schedules for Locations



\* Distance to the nearest edge of the intersecting roadway in the absence of a marked crosswalk.

FILE NAME =	USER NAME = hensonke	DESIGNED -	REVISED - 1-11-08	<b>STATE OF ILLINOIS DEPARTMENT OF TRANSPORTATION</b>	<b>REGION 2 / DISTRICT 2 STANDARD</b>			F.A.P. RTE.	SECTION	COUNTY	TOTAL SHEETS	SHEET NO.
os:\pwork\PW100\HENSONKE\dms33697\80787spl.dgn		DRAWN -	REVISED -					642	(10,11)T	JO DAVIESS	283	121
PLOT SCALE = 50.0000' / IN.		CHECKED -	REVISED -					CONTRACT NO. 64D07				
PLOT DATE = Tue Sep 30 11:19:50 2008		DATE -	REVISED -					FED. ROAD DIST. NO. ILLINOIS FED. AID PROJECT				
				SCALE:	SHEET NO.	OF SHEETS	STA.	TO STA.				