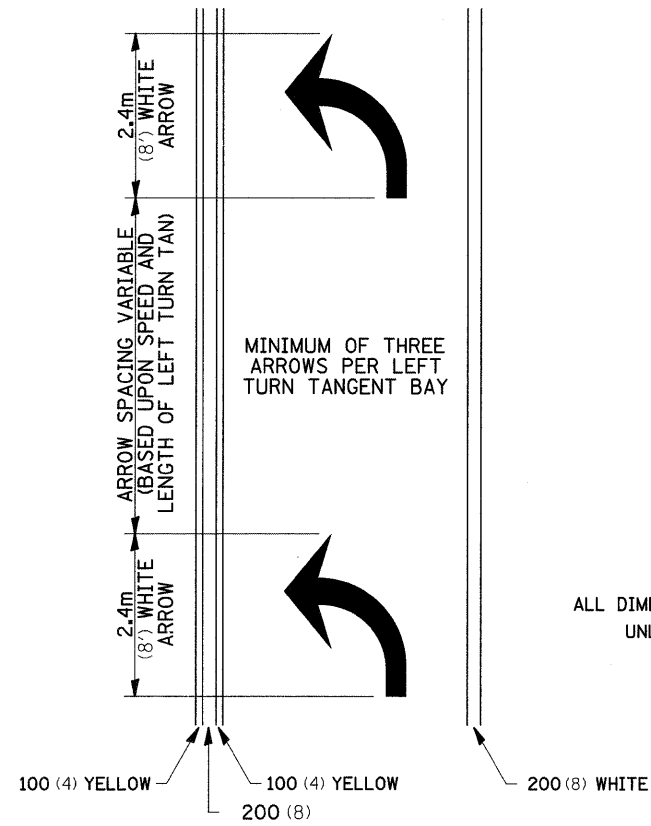


TYPICAL PAVEMENT MARKINGS

ARROW LAYOUT

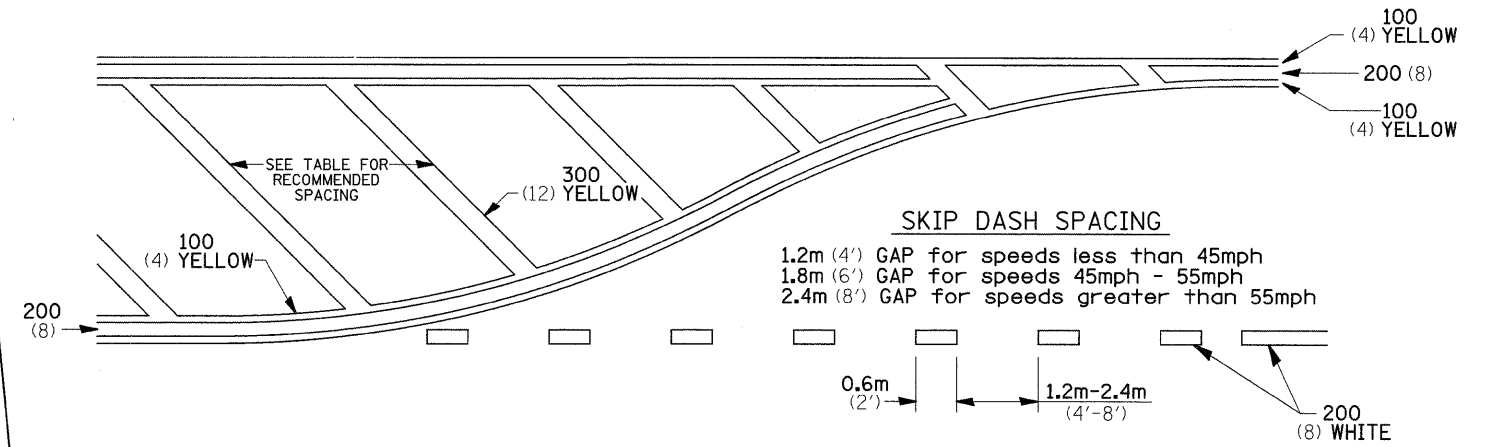


- ▲ ONE-WAY AMBER MARKER
- ◁ ONE-WAY CRYSTAL MARKER
- ◆ TWO-WAY AMBER MARKER

ALL DIMENSIONS ARE IN MILLIMETERS (INCHES) UNLESS OTHERWISE NOTED.

12.2m
6 at (40') O.C.
APPROACH SIDE ONLY

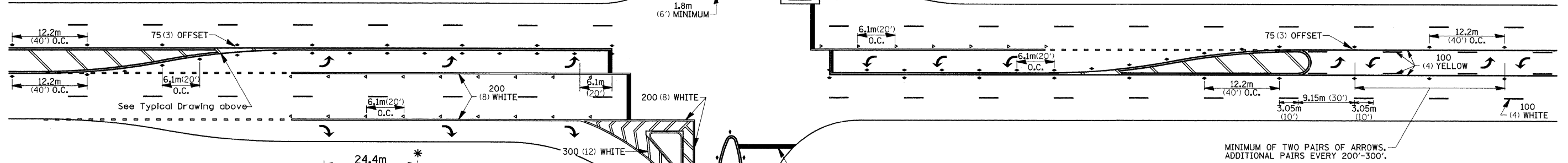
TYPICAL PAVEMENT MARKING FOR FLUSH MEDIAN



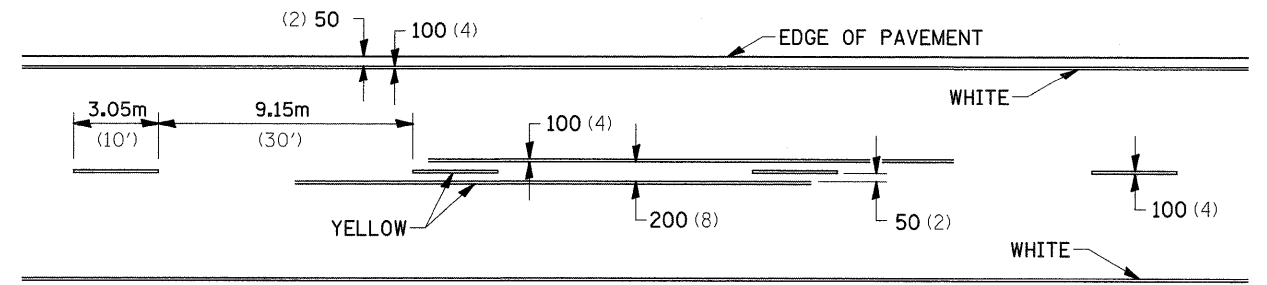
RECOMMENDED SPACING BETWEEN DIAGONALS (IN FEET)

Speed Limit Range	Continuous Median Area	Intersection Channelization	Objects (Islands)
less than 50Km/H (30MPH)	15.3m (50')	4.53m (15')	3.05m (10')
50-60Km/H (30-40MPH)	22.9m (75')	6.1m (20')	4.53m (15')
70Km/H (45MPH) & over	22.9m (75')	9.05m (30')	6.1m (20')

NOTE: If the spacing recommended in the Table does not permit at least five diagonal lines in the area being marked, the spacing from the next lowest speed range should be used. The recommended spacing is measured parallel to the pavement center line.



TYPICAL PAVEMENT MARKING FOR TWO LANE SECTION - NO PASSING ZONES



SYMBOLS

See Typical Drawing above

12.2m
6 at (40') O.C.
APPROACH SIDE ONLY

* REDUCE TO 12.2m (40') O.C. ON CURVES WHERE ADVISORY SPEEDS ARE 15Km/H (10MPH) LOWER THAN POSTED SPEEDS.

** USE DOUBLE MARKERS WHEN ADT ≥ 25,000

MULTI-LANE / UNDIVIDED

FILE NAME =	USER NAME = hensonke	DESIGNED -	REVISED - 1-11-08	STATE OF ILLINOIS DEPARTMENT OF TRANSPORTATION	REGION 2 / DISTRICT 2 STANDARD	F.A.P. RTE.	SECTION	COUNTY	TOTAL SHEETS	SHEET NO.
cr:\pw_work\VPWIDOT\HENSONKE\dms33697\ad8787spl.dgn		DRAWN -	REVISED -			642	(10,11)T	JO DAVIESS	283	122
PLOT SCALE = 50.0000' / IN.		CHECKED -	REVISED -			CONTRACT NO. 64D07				
PLOT DATE = Tue Sep 30 11:19:51 2008		DATE -	REVISED -			FED. ROAD DIST. NO. ILLINOIS FED. AID PROJECT				
SCALE: SHEET NO. OF SHEETS STA. TO STA.						TYPICAL PAVEMENT MARKINGS SHEET 2 OF 2 41.1				