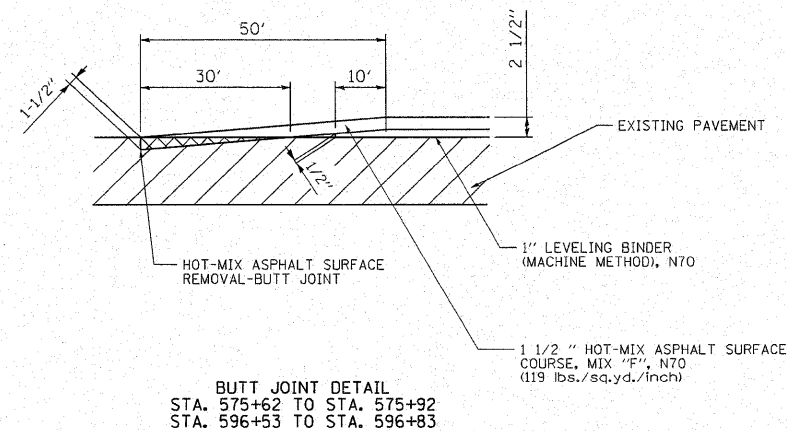
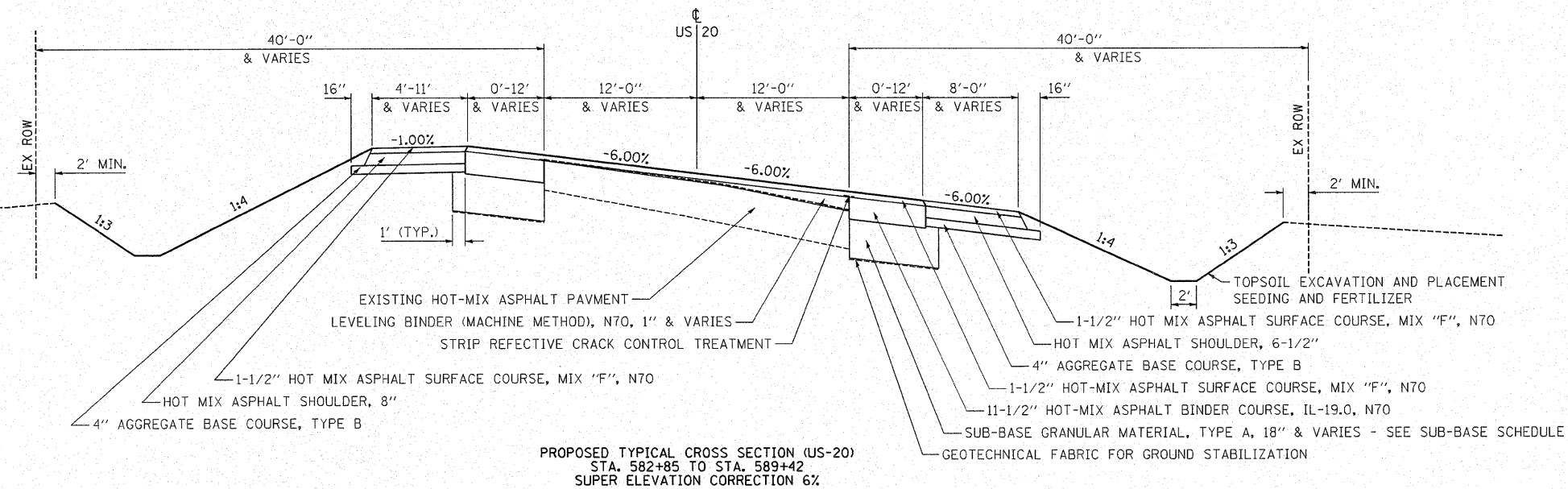
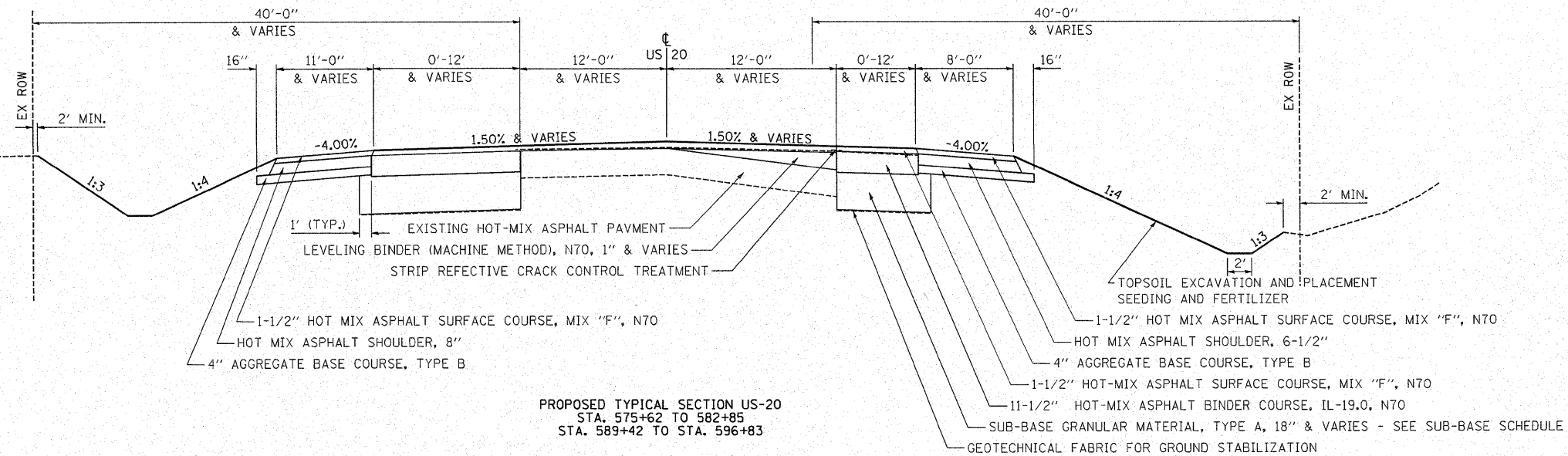


# PROPOSED TYPICALS US 20



FILE NAME =	USER NAME = IDOTCAD	DESIGNED - SPF	REVISED -
W:\2298-03 - US 20 IL 84 Intersection\CAD Sheets\0208108-shr-typical.dgn		DRAWN - AJP	REVISED -
PLOT SCALE = 6.0000 1 / IN.		CHECKED - JMS	REVISED -
PLOT DATE = 1/21/2009		DATE - 01/23/09	REVISED -

**STATE OF ILLINOIS  
DEPARTMENT OF TRANSPORTATION**

<b>TYPICAL SECTIONS</b>	
SCALE:	SHEET NO. 1 OF 2 SHEETS STA. TO STA.

F.A. RTE.	SECTION	COUNTY	TOTAL SHEETS	SHEET NO.
301	30-M-2	JoDAVISS	81	07
FED. ROAD DIST. NO. ILLINOIS FED. AID PROJECT			CONTRACT NO. 64E29	