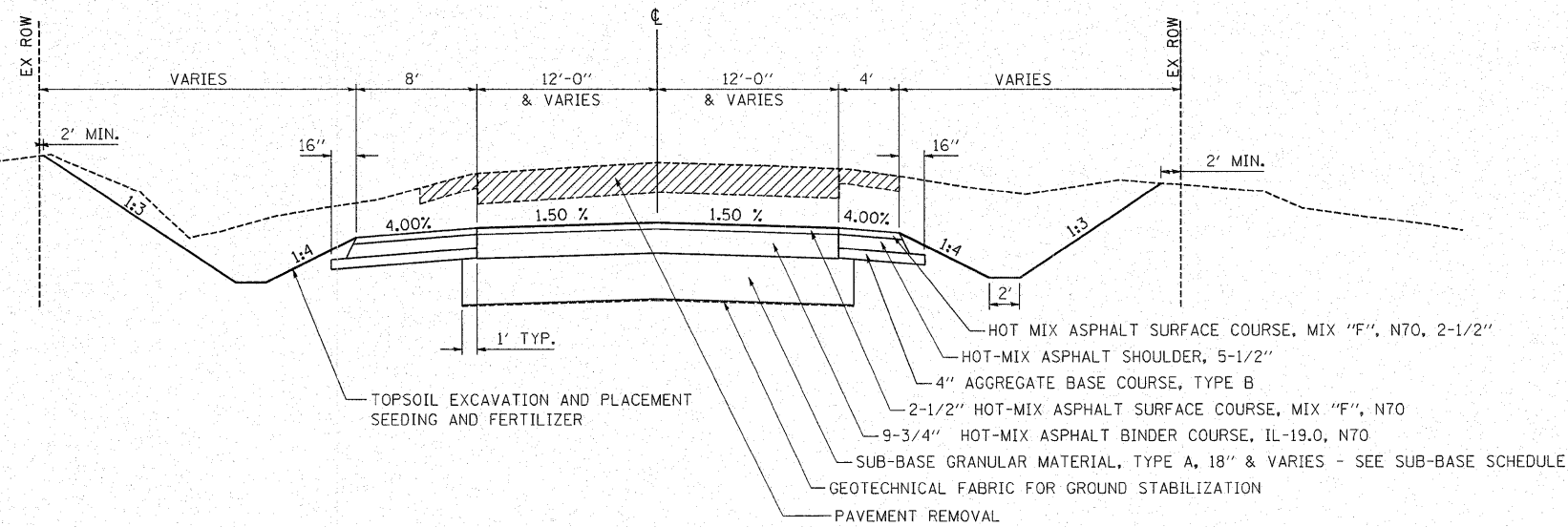
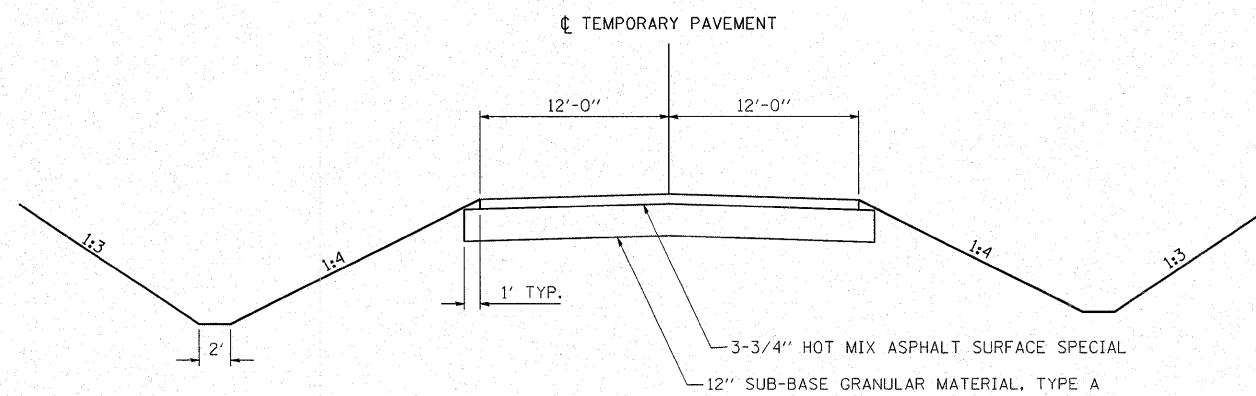


PROPOSED TYPICALS

IL 84



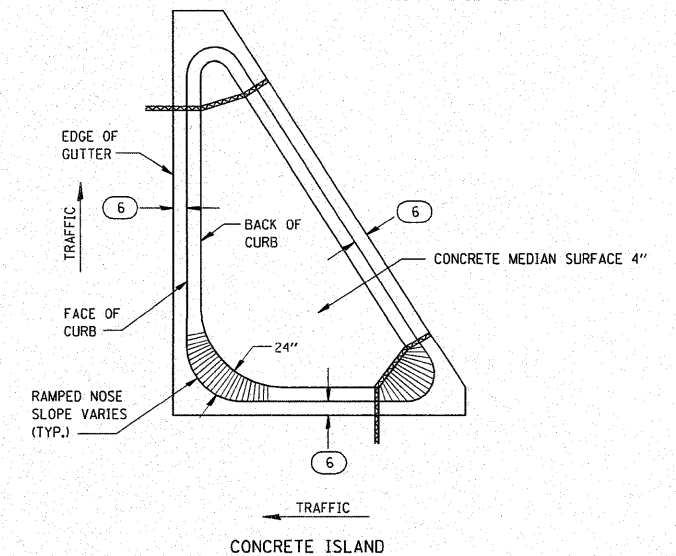
PROPOSED TYPICAL CROSS SECTION
 IL-84
 STA. 1347+46.50 TO STA. 1383+00



TEMPORARY PAVEMENT
 USED FOR TEMPORARY RUN AROUND
 IL-84, STAGE 3

GENERAL NOTES:

1. THE CURB AND GUTTER CONFIGURATION SHALL BE M-6.06
2. SEE STD. 606001 & AND 606301 FOR ADDITIONAL DETAILS.



FILE NAME =	USER NAME = IDOTCAD	DESIGNED - SPF	REVISED -	STATE OF ILLINOIS DEPARTMENT OF TRANSPORTATION	TYPICAL SECTIONS	F.A. RTE.	SECTION	COUNTY	TOTAL SHEETS	SHEET NO.
W:\2298-03 - US 20 IL 84 Intersection\CAD Sheets\0208109-shr-typical.dgn	DRAWN - AJP	REVISED -	301			30-M-2	JoDAVISS	81	08	
PLOT SCALE = 6.0000' / IN.	CHECKED - JMS	REVISED -	CONTRACT NO. 64E29							
PLOT DATE = 1/22/2009	DATE - 01/23/09	REVISED -	FED. ROAD DIST. NO. ILLINOIS FED. AID PROJECT							
SCALE: SHEET NO. 2 OF 2 SHEETS STA. TO STA.										