

HORIZONTAL & VERTICAL CONTROL

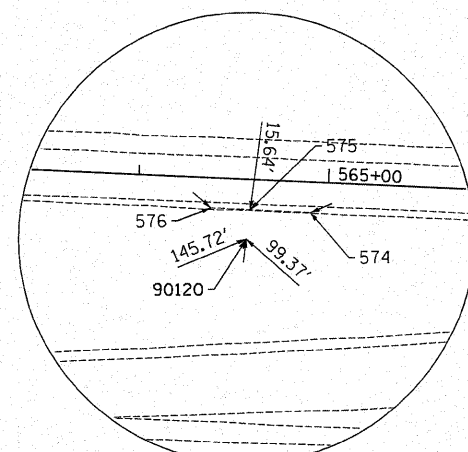


REFERENCE TIES							
POINT	NORTH	EAST	ELEVATION	CHAIN	STATION	OFFSET	DESCRIPTION
544	2105347.6850	2218304.5710	828.1510	US20	611+04.19	482.6799' RT	CULVERT - PIPE 02.0 F
545	2105387.8300	2218281.0940	832.4080	US20	610+59.14	494.2155' RT	SPLICE BOX - T.PHONE
546	2105342.6710	2218234.1610	834.2240	US20	610+89.66	551.7552' RT	FENCE POST
547	2107338.6730	2218297.9270	878.7240	US20	591+86.71	32.7957' RT	POLE - POWER
548	2107338.6560	2218287.7200	878.7380	US20	591+86.63	43.0024' RT	FENCE POST
549	2107386.8600	2218357.1260	881.6930	US20	591+39.12	26.8786' LT	POLE - POWER
550	2108057.6360	2218363.8140	894.7850	IL84	1376+83.95	73.1783' RT	FENCE POST
551	2108066.7090	2218363.0710	895.2990	IL84	1376+91.02	69.3644' RT	FENCE POST
552	2108076.6050	2218281.8040	894.4740	IL84	1376+72.63	10.1193' LT	POLE - POWER
553	2108896.1020	2218355.8030	890.3370	IL84	1384+99.60	39.6545' RT	FENCE POST
554	2108870.0120	2218355.9360	889.9870	IL84	1384+73.51	39.5545' RT	FENCE POST
555	2108870.7710	2218278.6860	892.5830	IL84	1384+74.96	37.6857' LT	POLE - POWER
571	2108074.2760	2217653.3160	871.3930	US20	580+37.97	25.7529' LT	STREET - SIGN
572	2108003.1830	2217693.9810	866.3500	US20	580+82.61	42.9094' LT	CULVERT - PIPE 05.5 F
573	2108083.6760	2217687.8760	868.8160	US20	580+71.77	37.0846' LT	CULVERT - PIPE 05.5 F
574	2108105.3880	2216105.8150	878.0220	US20	564+90.88	16.3226' RT	SHOULDER - NAIL
575	2108107.0770	2216074.2090	879.1710	US20	564+59.23	16.1273' RT	SHOULDER - NAIL
576	2108108.0450	2216053.5420	879.9250	US20	564+38.54	16.1358' RT	SHOULDER - NAIL

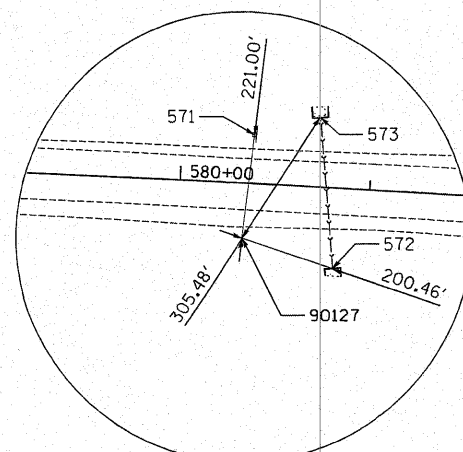
CURVE POINT NUMBERS				
CURVE	PI	CC	PC	PT
GA025310	200	201	202	203
G1360	210	211	212	213
GA025220	220	221	222	223
70210	230	231	232	233

BENCH MARKS							
POINT	NORTH	EAST	ELEVATION	CHAIN	STATION	OFFSET	DESCRIPTION
400	2108012.0660	2218047.8800	881.7980	PUS20	584+28.54	32.1451' LT	HEADWALL - CROSS CUT
401	2109520.4550	2218334.9730	863.3690	PIL84CONN	1391+24.11	24.4023' RT	GUTTER - CROSS CUT
434	2108926.4790	2218355.4050	889.6280	PIL84CONN	1385+29.98	39.5279' RT	R.O.W. MARKER

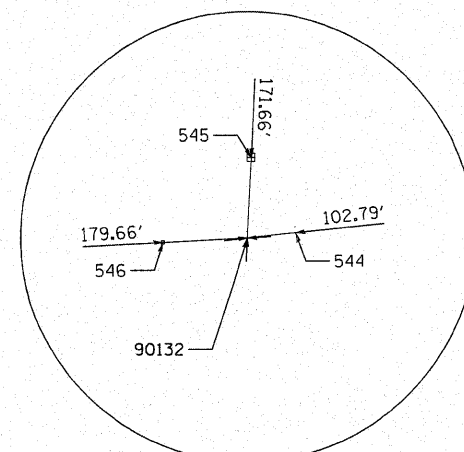
HORIZONTAL CONTROL POINTS							
POINT	NORTH	EAST	ELEVATION	CHAIN	STATION	OFFSET	DESCRIPTION
90120	2108091.5480	2216072.1150	876.7810	PUS20	564+57.87	31.7378' RT	GPS CONTROL POINT
90127	2108019.4380	2217646.5760	868.2110	PUS20	580+34.15	29.3654' RT	GPS CONTROL POINT
90132	2105344.9650	2218279.0170	829.7660	PUS20	610+99.78	507.9970' RT	GPS CONTROL POINT
90133	2105344.9650	2218279.0170	829.7660	PUS20	591+94.15	34.6706' RT	GPS CONTROL POINT
90134	2108878.6820	2218351.6540	888.1070	PIL84CONN	1384+82.22	35.3501' RT	GPS CONTROL POINT
901125	2108057.0830	2218348.0770	891.9320	PIL84CONN	1376+78.65	58.6768' RT	GPS CONTROL POINT



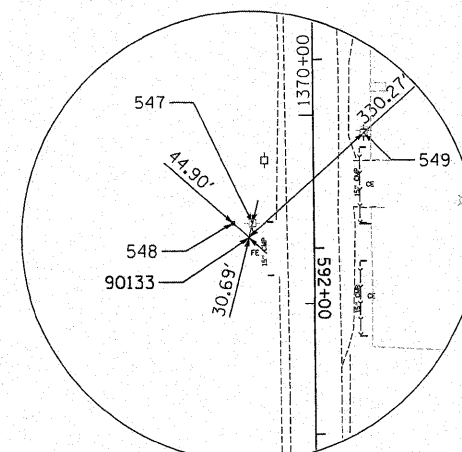
HORIZONTAL CONTROL POINT No. 90120



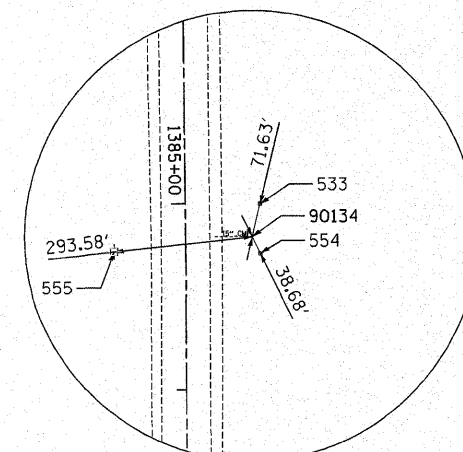
HORIZONTAL CONTROL POINT No. 90127



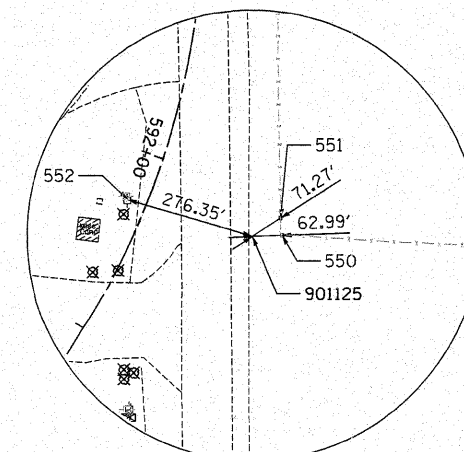
HORIZONTAL CONTROL POINT No. 90132



HORIZONTAL CONTROL POINT No. 90133



HORIZONTAL CONTROL POINT No. 90134



HORIZONTAL CONTROL POINT No. 901125