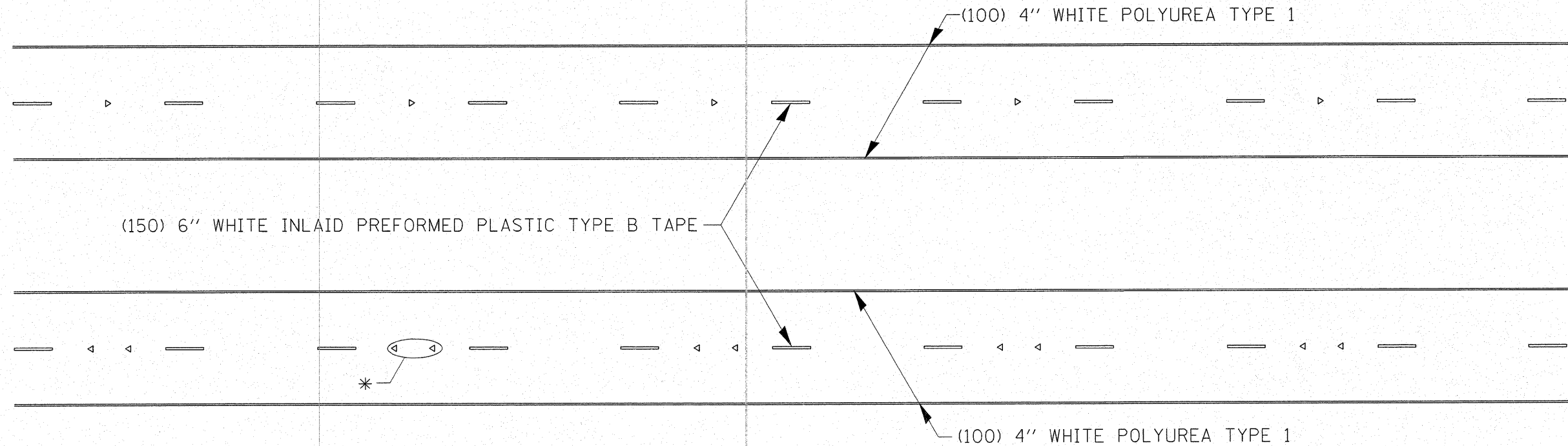
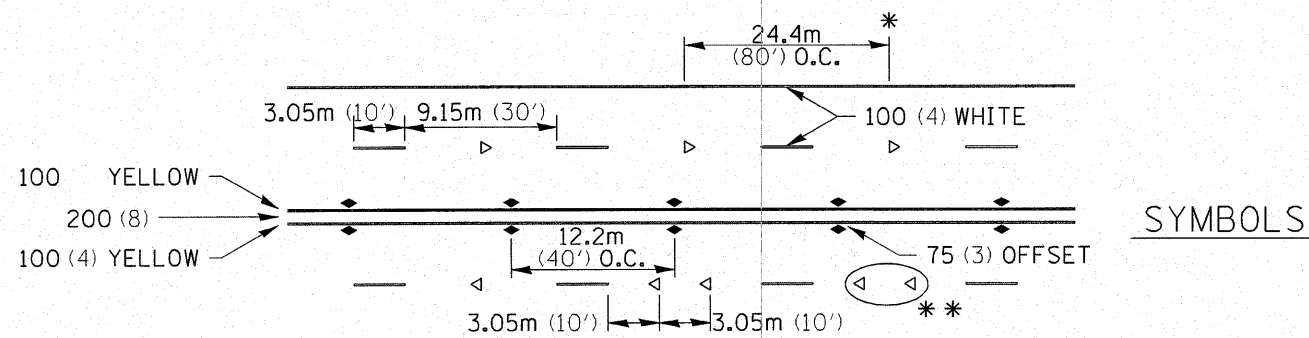


TYPICAL PAVEMENT MARKINGS



* SEE HIGHWAY STANDARD 781001 FOR SPACING DETAILS.
USE DOUBLE MARKERS WHEN ADT \geq 25,000.

MULTI-LANE / DIVIDED

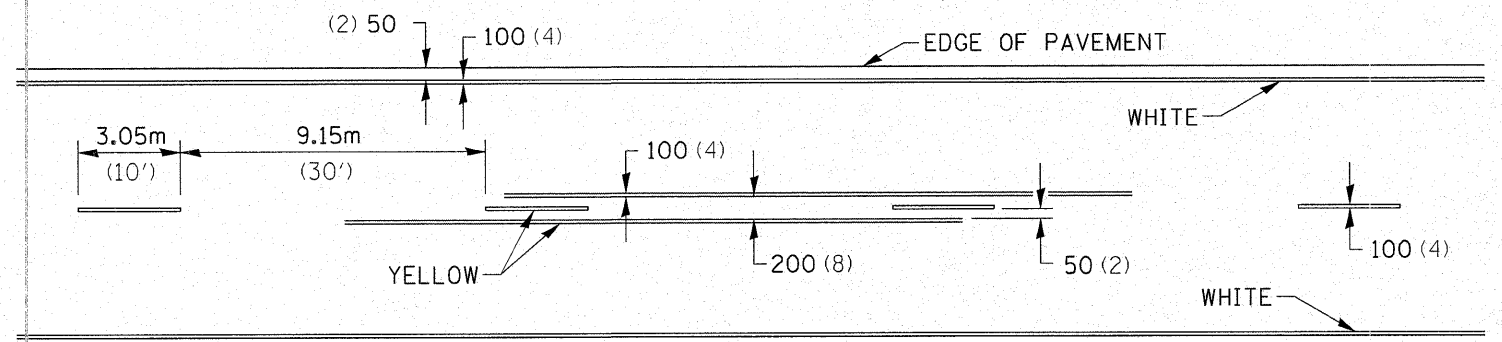


* REDUCE TO 12.2m (40') O.C. ON CURVES WHERE ADVISORY SPEEDS ARE 15km/H (10MPH) LOWER THAN POSTED SPEEDS.

** USE DOUBLE MARKERS WHEN ADT \geq 25,000

MULTI-LANE / UNDIVIDED

TYPICAL PAVEMENT MARKING FOR TWO LANE SECTION – NO PASSING ZONES



FILE NAME =	USER NAME = IDOTCAD	DESIGNED - SPF	REVISED - 10-21-08
W:\2298-03 - US 20 IL 84 Intersection\CADD Sheets\0208108-sht-details.dgn		DRAWN - AJP	REVISED -
		CHECKED - JMS	REVISED -
		DATE - 01/23/09	REVISED -

STATE OF ILLINOIS
DEPARTMENT OF TRANSPORTATION

REGION 2 / DISTRICT 2 STANDARD

SCALE: NONE SHEET NO. 05 OF 10 SHEETS STA. TO STA.

F.A.P. RTE.	SECTION	COUNTY	TOTAL SHEETS	SHEET NO.
301	30-M-2	JO DAVIESS	81	52
CONTRACT NO. 64E29				
FED. ROAD DIST. NO. ILLINOIS FED. AID PROJECT				