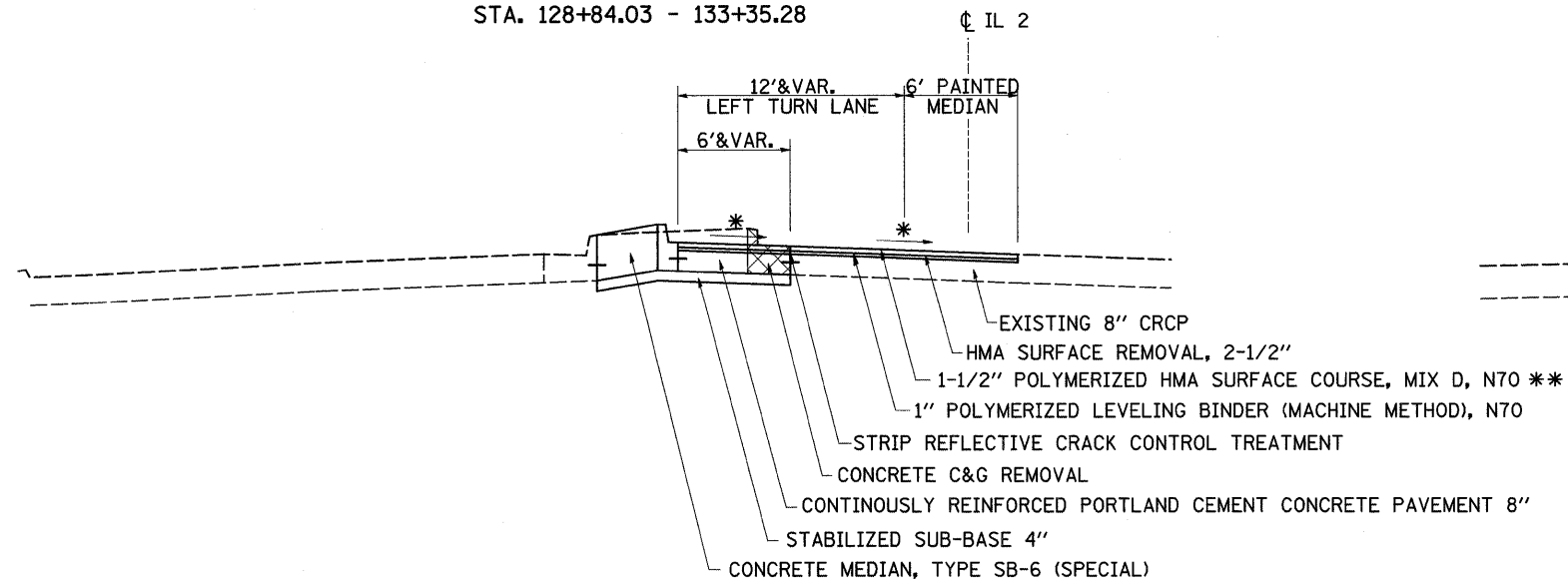
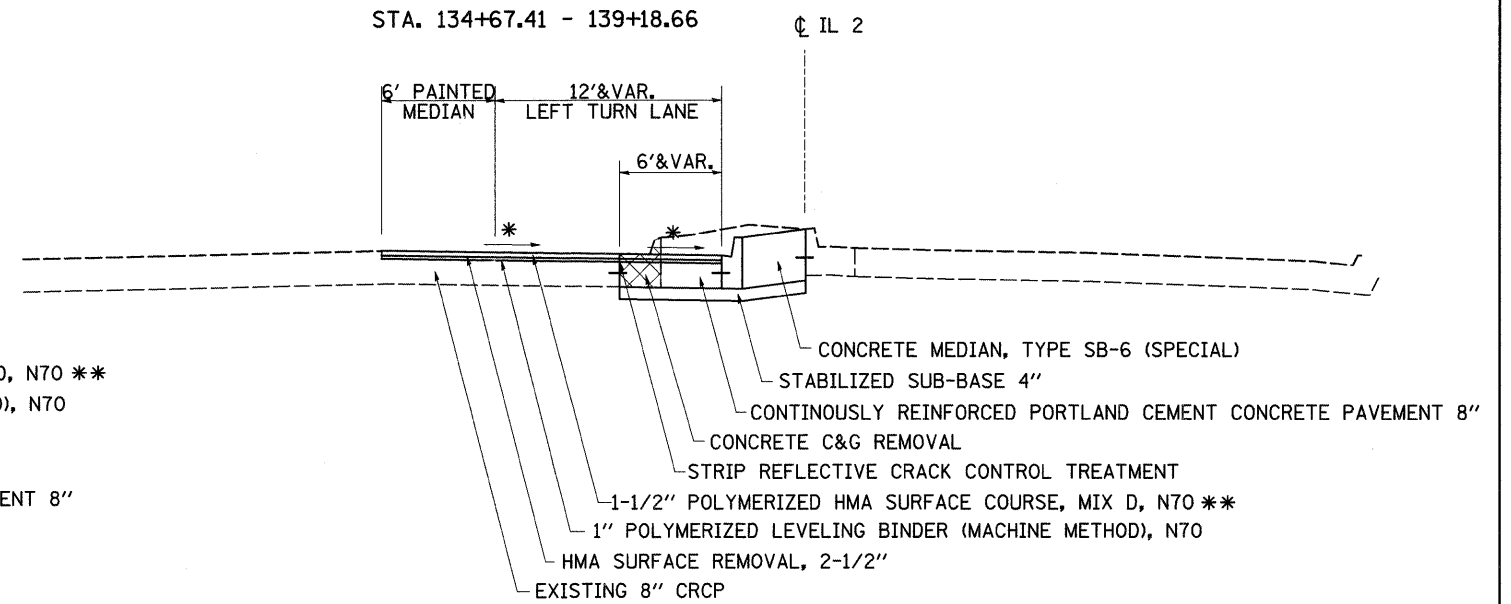


TYPICAL SECTIONS

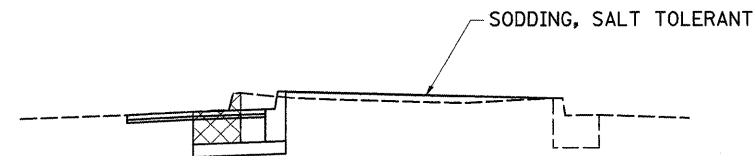
STA. 128+84.03 - 133+35.28



STA. 134+67.41 - 139+18.66

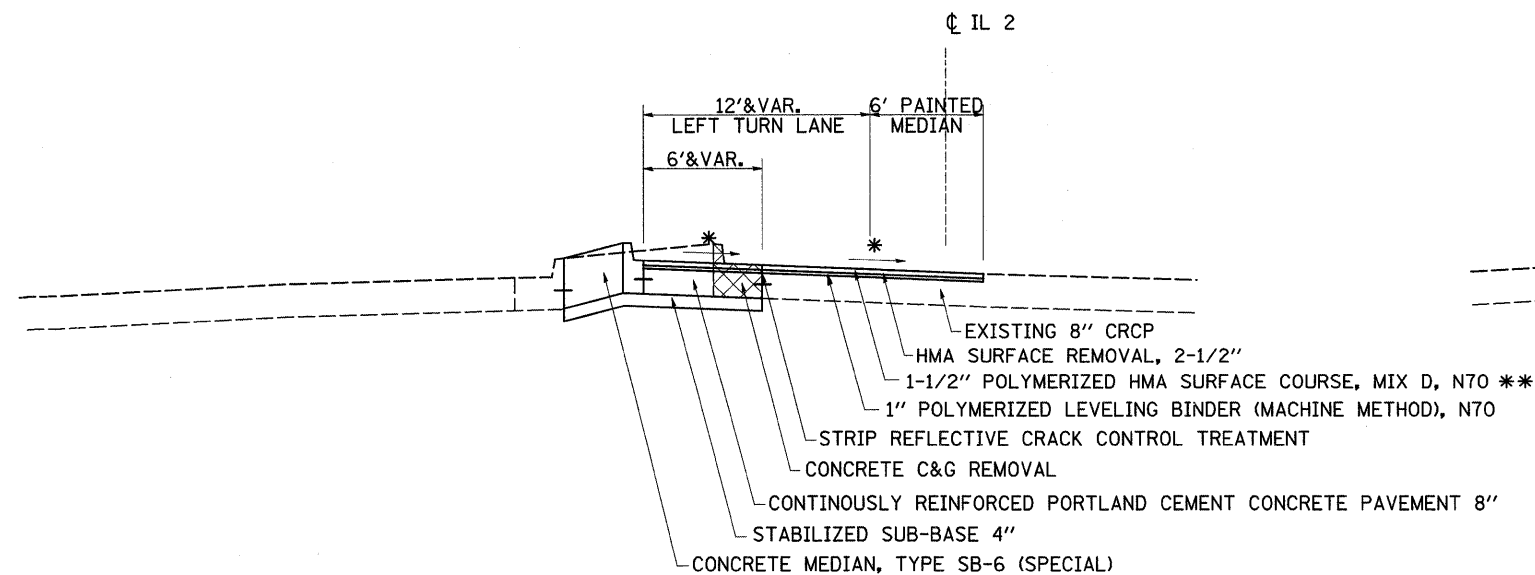


SEE (SCHEDULE OF QUANTITIES)
FOR APPROXIMATE LOCATIONS

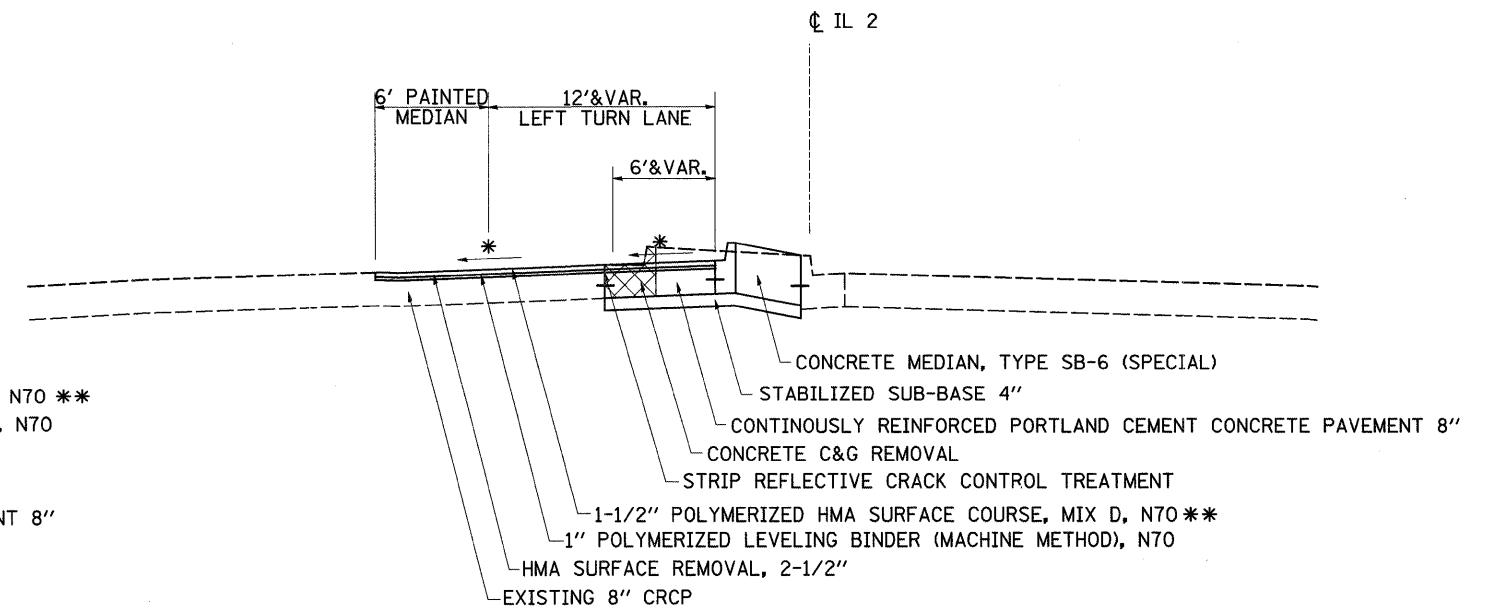


* MATCH EXISTING X-SLOPE
** 112LB/SQ YD/IN

STA. 160+92.58 - 166+03.83



STA. 167+42.30 - 171+93.55



FILE NAME =	USER NAME = cushmanbw	DESIGNED -	REVISED -
ct:\pvc_work\pvc\dot\cushmanbw\dms51062\0200107-typicol.dgn		DRAWN -	REVISED -
PLOT SCALE = 50.0000' / IN.		CHECKED -	REVISED -
PLOT DATE = Fri Jan 23 06:59:56 2009		DATE -	REVISED -

STATE OF ILLINOIS
DEPARTMENT OF TRANSPORTATION

TYPICAL SECTIONS

SCALE: SHEET NO. OF SHEETS STA. TO STA.

F.A.P. RTE.	SECTION	COUNTY	TOTAL SHEETS	SHEET NO.
561	(32-4)M-2	WHITESIDE	34	7
CONTRACT NO. 64E58				
FED. ROAD DIST. NO. ILLINOIS FED. AID PROJECT				