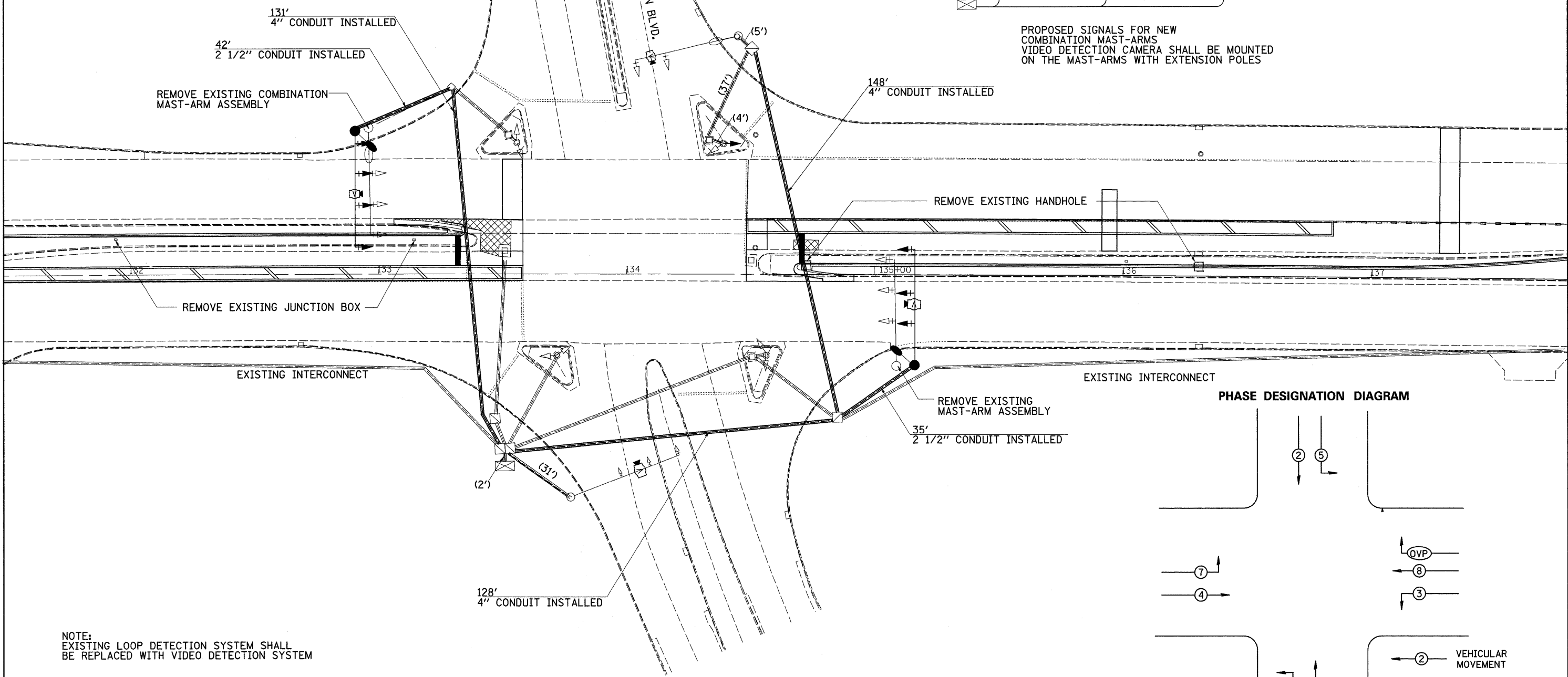
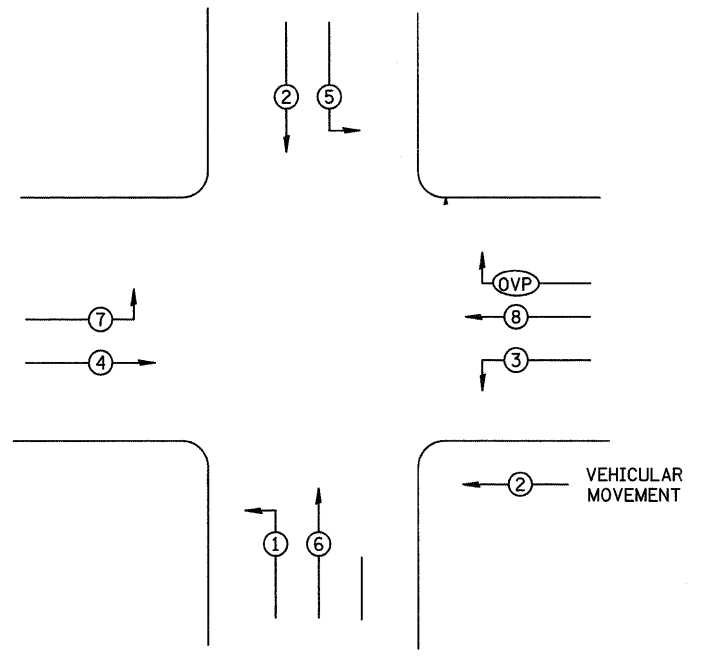


PROPOSED SIGNALS FOR NEW COMBINATION MAST-ARMS
VIDEO DETECTION CAMERA SHALL BE MOUNTED ON THE MAST-ARMS WITH EXTENSION POLES



PHASE DESIGNATION DIAGRAM



NOTE:
EXISTING LOOP DETECTION SYSTEM SHALL BE REPLACED WITH VIDEO DETECTION SYSTEM

FILE NAME =	USER NAME = cushmanbw	DESIGNED -	REVISED -	STATE OF ILLINOIS DEPARTMENT OF TRANSPORTATION	IL 2 /LYNN BLVD.	F.A.P. RTE.	SECTION	COUNTY	TOTAL SHEETS	SHEET NO.	
C:\pwwork\PWIDOT\CUSHMANBW\dms51115\020109-signal-plan.dgn	20109-signal-plan.dgn	DRAWN -	REVISED -			561	(32-4)M-2	WHITESIDE	34	17	
PLOT SCALE = 20.0000' / IN.		CHECKED -	REVISED -			CONTRACT NO. 64E58					
PLOT DATE = Fri Jan 23 07:05:55 2009		DATE -	REVISED -			FED. ROAD DIST. NO. ILLINOIS FED. AID PROJECT					
SCALE: SHEET NO. OF SHEETS STA. TO STA.											