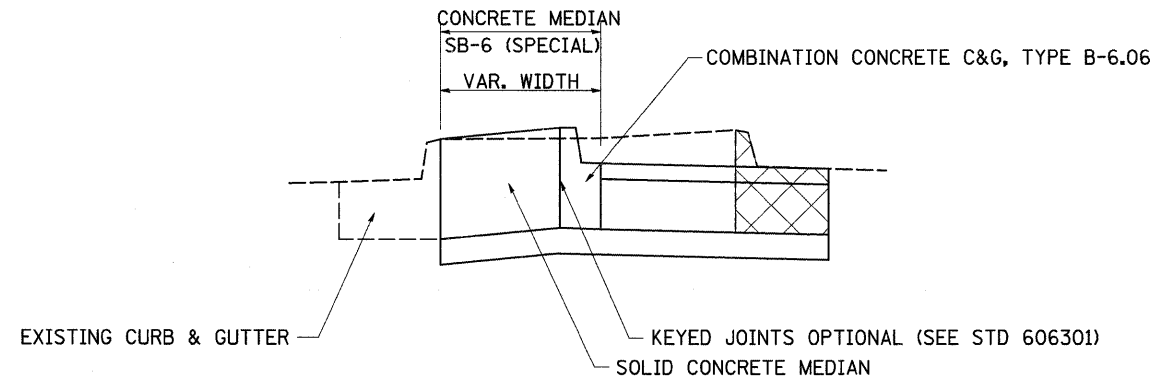


CONCRETE MEDIAN, TYPE SB-6 (SPECIAL)

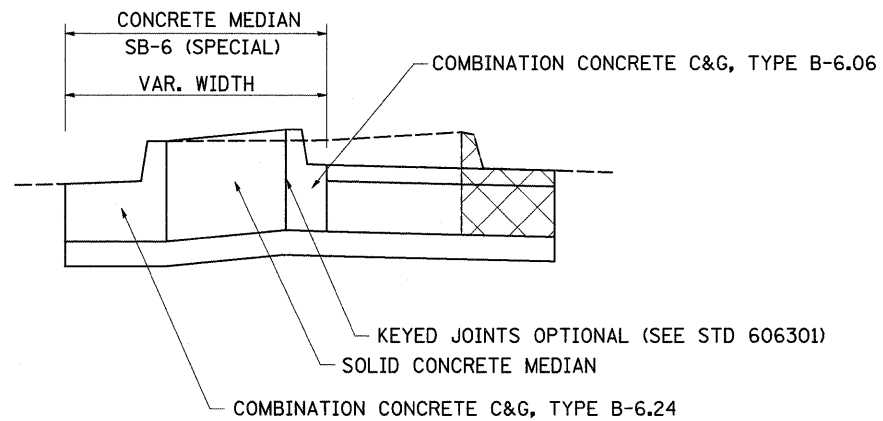
SEE PLANS FOR APPROXIMATE LOCATIONS



NOTES

ALL MEDIAN WORK WILL BE BUILT USING ARTICLE 606.09 (CONCRETE MEDIANS) AND HIGHWAY STANDARD 606301-03 (PC CONCRETE ISLANDS AND MEDIANS).
METHOD OF PAYMENT IS IN SQ FT (CONCRETE MEDIAN, TYPE SB-6 (SPECIAL)).

SEE PLANS FOR APPROXIMATE LOCATIONS



FILE NAME =	USER NAME = cushmanbw	DESIGNED -	REVISED -	STATE OF ILLINOIS DEPARTMENT OF TRANSPORTATION	SCALE: SHEET NO. OF SHEETS STA. TO STA.	F.A.P. RTE.	SECTION	COUNTY	TOTAL SHEETS	SHEET NO.	
ct:\p\work\p\widot\cushmanbw\dms51082\02	0109-sht-details.dgn	DRAWN -	REVISED -			561	(32-4M-2)	WHITESIDE	34	22	
	PLOT SCALE = 50.0000' / IN.	CHECKED -	REVISED -			CONTRACT NO. 64E58					
	PLOT DATE = Fri Jan 23 06:59:33 2009	DATE -	REVISED -			ILLINOIS FED. AID PROJECT					