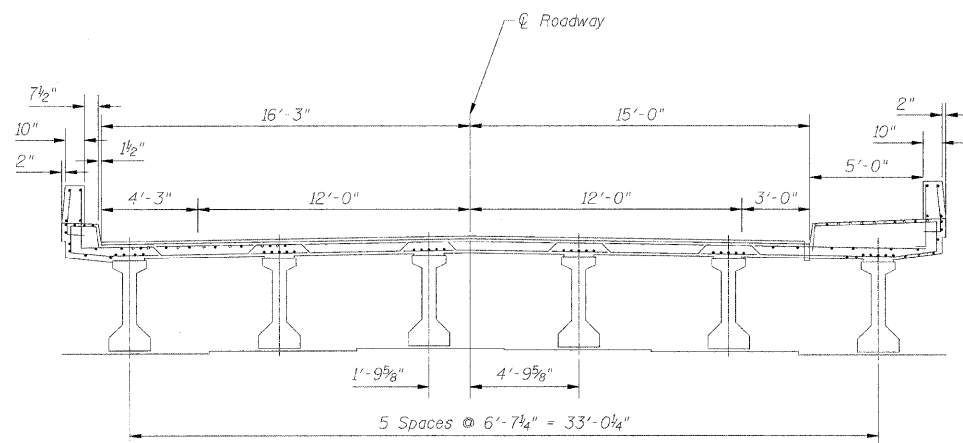
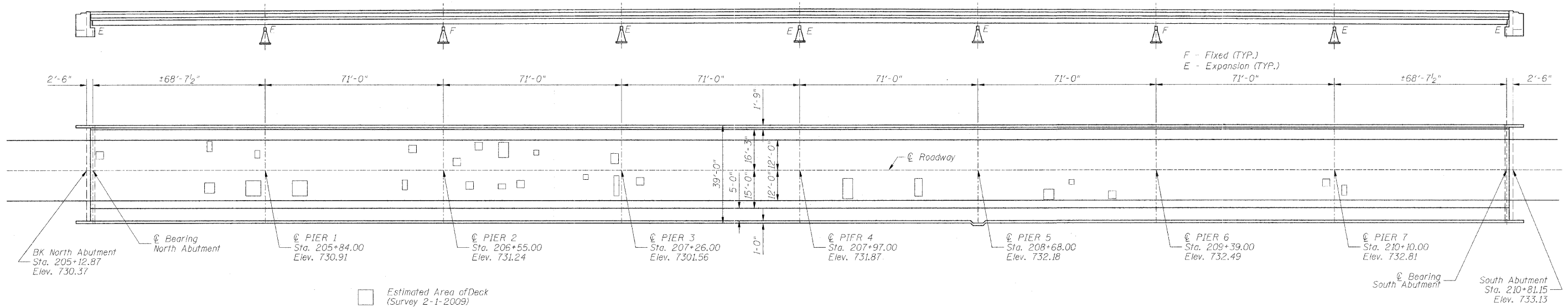


STATE OF ILLINOIS
DEPARTMENT OF TRANSPORTATION

ROUTE NO.	SECTION	COUNTY	TOTAL SHEETS	SHEET NO.	SHEET NO. 2 8 SHEETS
IL 75	177BRM	WINNEBAGO	13	4	
FED. ROAD DIST. NO. 7 ILLINOIS FED. AID PROJECT- CONTRACT 64E67					



TOTAL BILL OF MATERIAL

ITEM	UNIT	QUANTITY
PROTECTIVE COAT	SQ YD	554
CONCRETE REMOVAL	CU. YD.	48.0
CONCRETE SUPERSTRUCTURE	CU. YD.	48.0
PREFORMED JOINT STRIP SEAL	FOOT	114
REINFORCEMENT BARS, EPOXY COATED	POUND	13,940
HOT-MIX ASPHALT SURFACE COURSE, MIX "D", NYO	TON	175
HOT-MIX ASPHALT SURFACE REMOVAL, 1 1/2"	SQ. YD.	1,975
WATERPROOFING MEMBRANE SYSTEM	SQ. YD.	1,975
BAR SPLICERS	EACH	50
DECK SLAB REPAIR (PARTIAL DEPTH)	SQ. YD.	445
STRUCTURAL REPAIR OF CONCRETE (DEPTH LESS THAN OR EQUAL TO 5 INCHES)	SQ. FT.	3,550
FLOOR DRAIN EXTENSIONS	EACH	72
PLUG EXISTING DECK DRAINS	EACH	112

DESIGNED	M.H.
CHECKED	P.B.
DRAWN	C.L.
CHECKED	M.H./P.B.



Hakim H. Taiyebi
 HAKIM H. TAIYEBI
 ILLINOIS LICENSED
 STRUCTURAL ENGINEER
 NO. 081-003266
 LICENSE EXP. 11-30-10

EXISTING PLAN & ELEVATION
 IL ROUTE 75 OVER ROCK RIVER
 FAP ROUTE 505 (IL 75), SECTION (177BRM)
 WINNEBAGO COUNTY
 STATION 206+00
 STRUCTURE NO. 101-0109

SCALE: DATE: January, 2009
Soodan
 Soodan & Associates, Inc.
 100 North LaSalle Street, Suite 1800
 Chicago, Illinois 60602