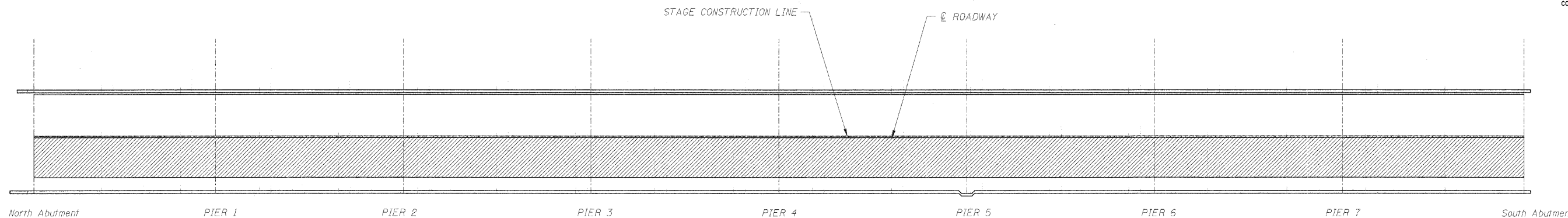
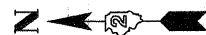


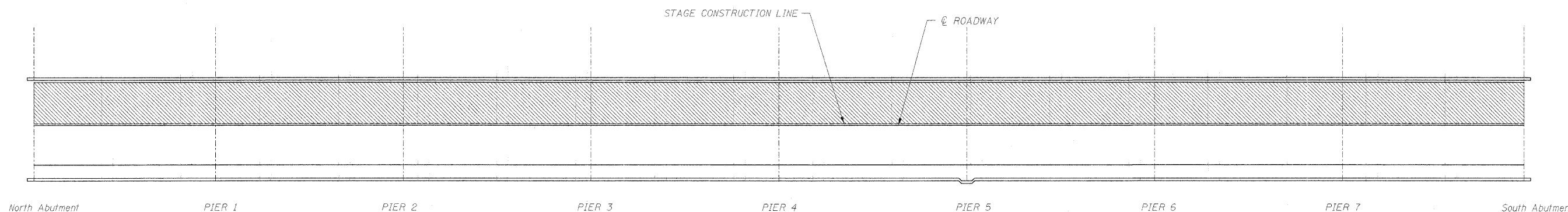
STATE OF ILLINOIS
DEPARTMENT OF TRANSPORTATION

ROUTE NO.	SECTION	COUNTY	TOTAL SHEETS	SHEET NO.	SHEET NO. 3 8 SHEETS
IL 75	(77BRM)	WINNEBAGO	13	5	
FED. ROAD DIST. NO. 7	ILLINOIS	FED. AID PROJECT-			

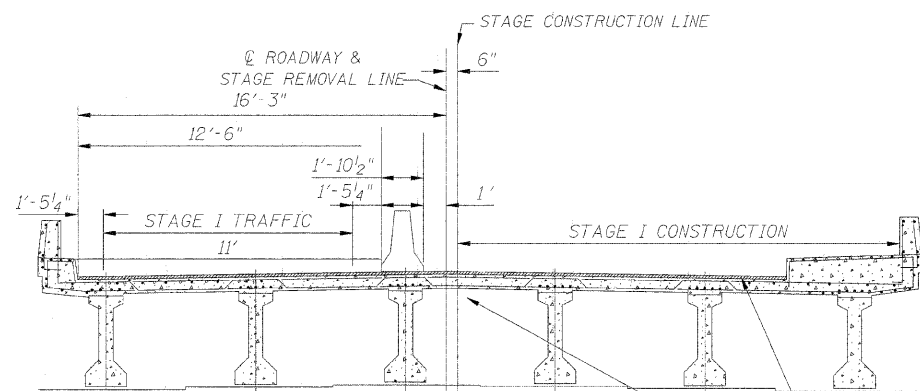
CONTRACT 64E67



STAGE 1

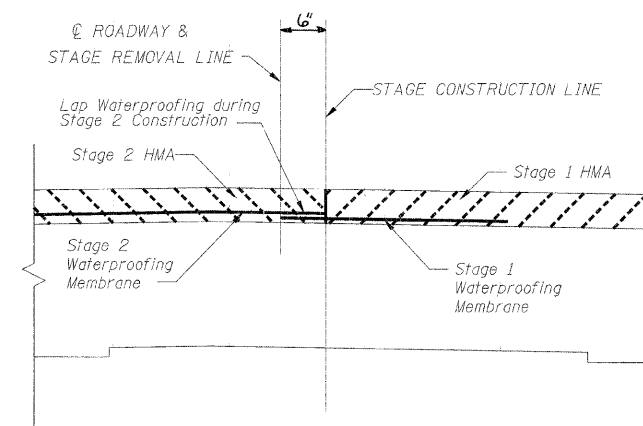


STAGE 2



STAGE 1

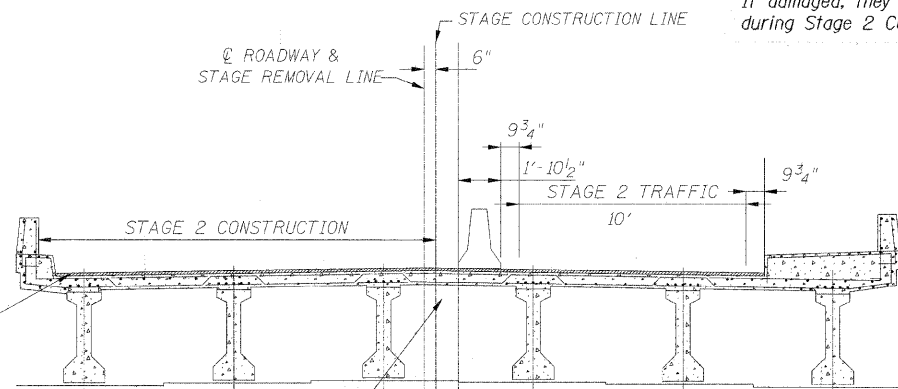
1/2" HMA Overlay and Waterproofing Membrane.
Contractor Shall not damage or cut existing 3/4" ϕ threaded rods. If damaged, they shall be replaced at the contractor's expense during Stage 2 Construction



STAGE 2

STAGE 1

DETAIL OF WATERPROOFING MEMBRANE AT STAGE CONSTRUCTION LINE



STAGE 2

1/2" HMA Overlay and Waterproofing Membrane.
Contractor Shall not damage or cut existing 3/4" ϕ threaded rods. If damaged, they shall be replaced at the contractor's expense during Stage 2 Construction

DESIGNED	M.H.
CHECKED	P.B.
DRAWN	C.L.
CHECKED	M.H./P.B.

STAGE CONSTRUCTION PLAN
IL ROUTE 75 OVER ROCK RIVER
FAP ROUTE 505 (IL 75), SECTION (77BRM)
WINNEBAGO COUNTY
STATION 206+00
STRUCTURE NO. 101-0109

SCALE: DATE: January, 2009
Soodan Soodan & Associates, Inc.
100 North LaSalle Street, Suite 1800
Chicago, Illinois 60602