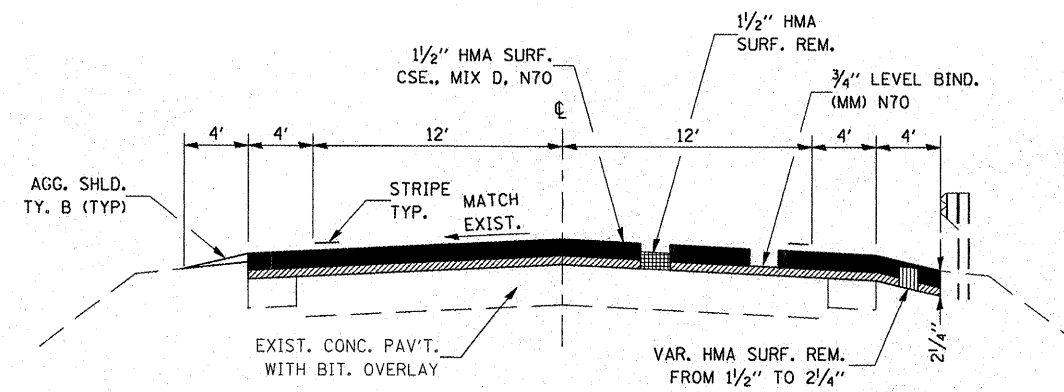


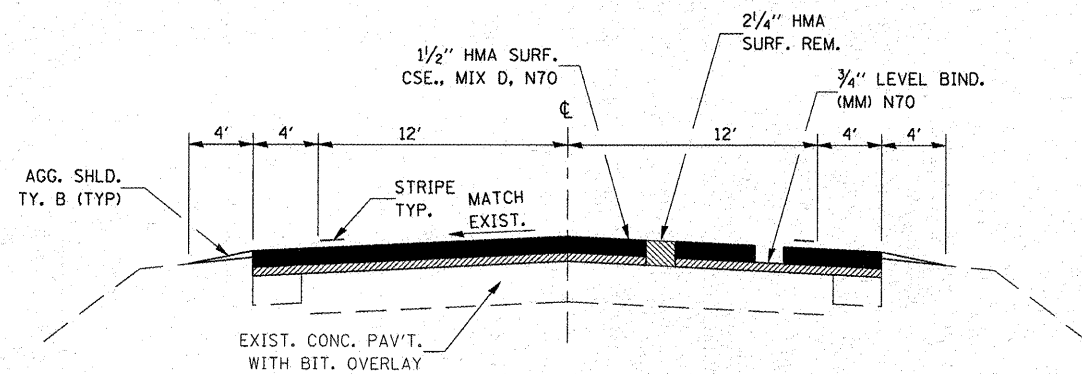
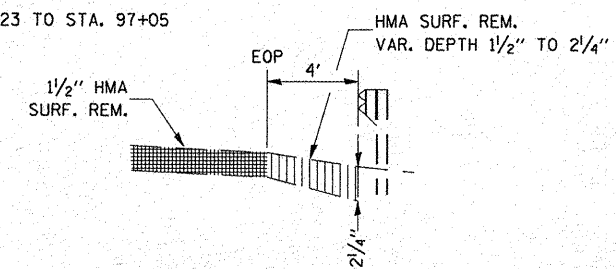
TYPICAL SECTION

STA. 97+05 TO STA. 101+11



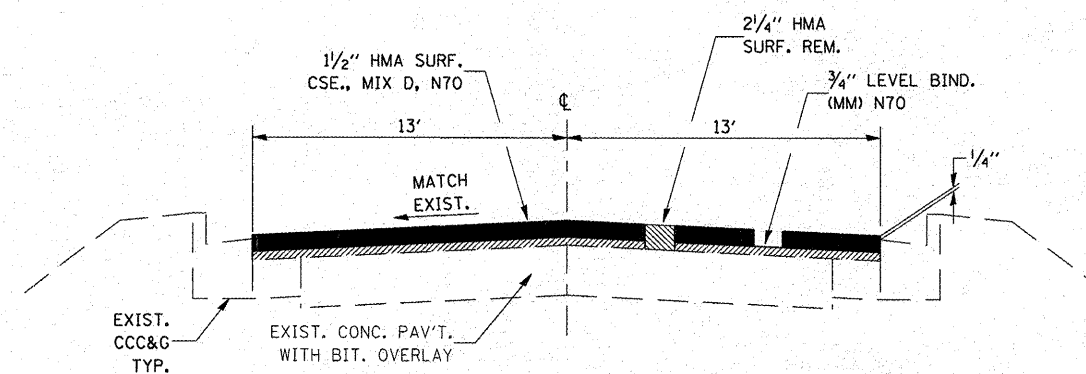
TYPICAL SECTION

STA. 85+23 TO STA. 97+05



TYPICAL SECTION

STA. 71+00 TO STA. 85+23
 STA. 0+01.66 TO STA. 1+26
 STA. EQUATION: STA. 0+01.66 AH = STA. 71+00 BK



TYPICAL SECTION

STA. 1+26 TO STA. 62+40

FILE NAME =	USER NAME = corcoran	DESIGNED -	REVISED -
cr\pw\work\p\dot\corcoran\ad0119033\d	66753-shr-detail.dgn	DRAWN -	REVISED -
	PLOT SCALE = 100.0000' / IN.	CHECKED -	REVISED -
	PLOT DATE = Feb 10, 2009 - 02:25:20 PM	DATE -	REVISED -

**STATE OF ILLINOIS
 DEPARTMENT OF TRANSPORTATION**

TYPICAL SECTIONS			
SCALE:	SHEET NO.	OF SHEETS	STA. TO STA.

F.A.P. RTE.	SECTION	COUNTY	TOTAL SHEETS	SHEET NO.
326	(119,120,121,122,123)RS-3	GRU & LIV	36	6
CONTRACT NO. 66753				
ILLINOIS FED. AID PROJECT				