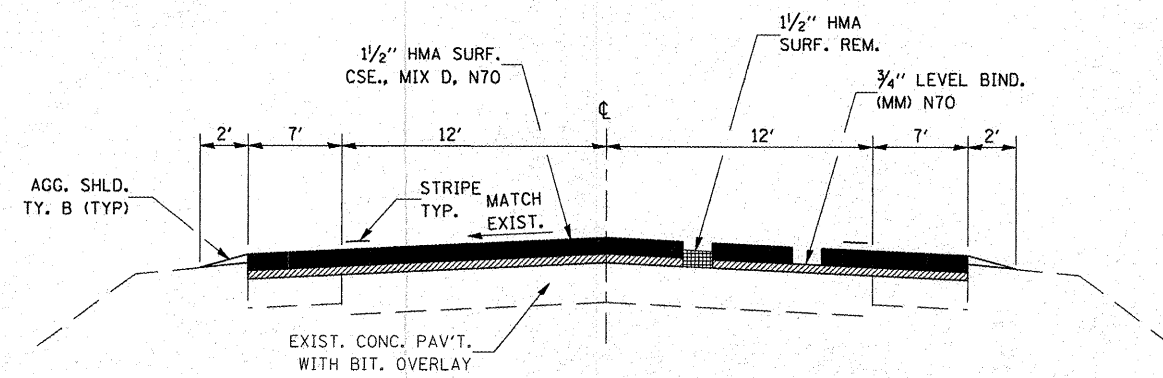


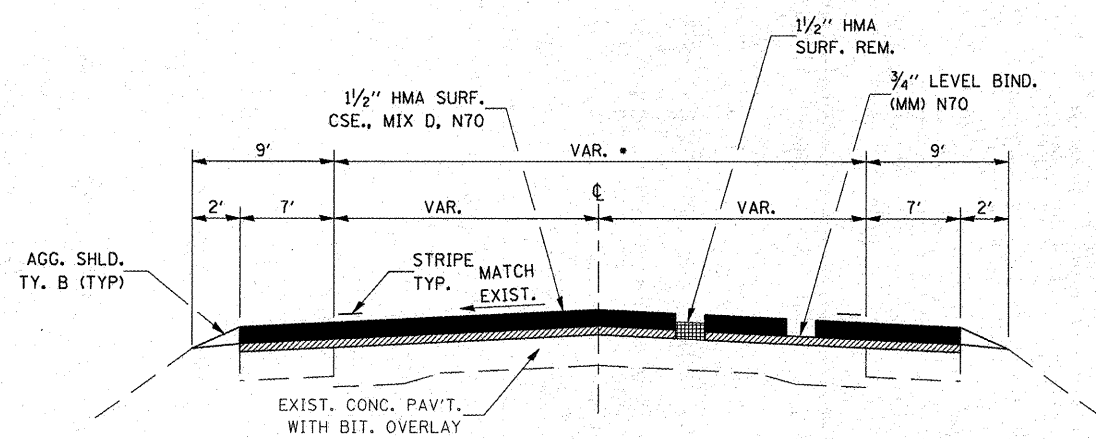
TYPICAL SECTION

STA. 62+40 TO STA. 615+10
 STA. 630+90 TO STA. 703+88



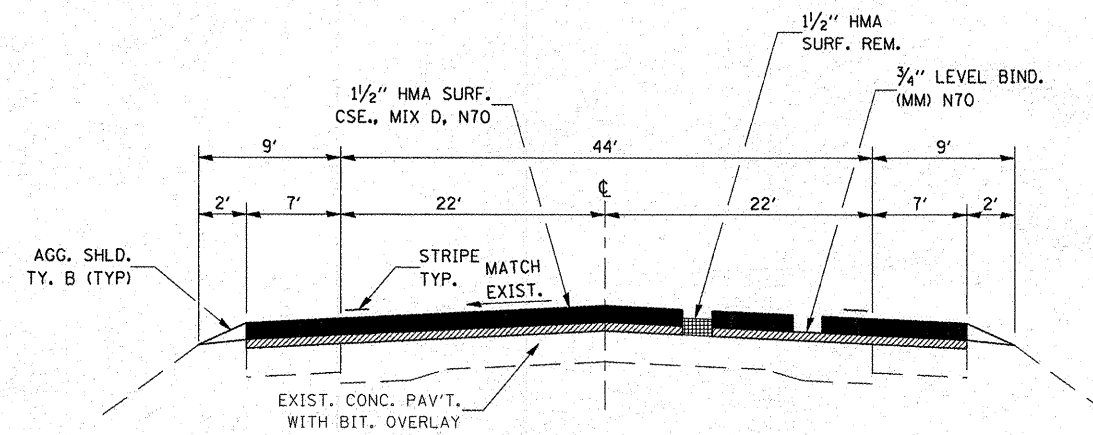
TYPICAL SECTION

STA. 703+88 TO STA. 743+00



TYPICAL SECTION

STA. 743+00 TO STA. 750+50 • 24' TO 44'
 STA. 763+00 TO STA. 765+25 • 44' TO 35.5'



TYPICAL SECTION

STA. 750+50 TO STA. 763+00

FILE NAME =	USER NAME = corcoranm	DESIGNED -	REVISED -
c:\pwwork\pwwork\corcoranm\d0119033\d	66753-shd-details.DGN	DRAWN -	REVISED -
	PLOT SCALE = 100.0000' / IN.	CHECKED -	REVISED -
	PLOT DATE = Feb 18, 2009 - 09:27:12 AM	DATE -	REVISED -

**STATE OF ILLINOIS
 DEPARTMENT OF TRANSPORTATION**

TYPICAL SECTIONS			
SCALE:	SHEET NO.	OF SHEETS	STA. TO STA.

F.A.P. RTE.	SECTION	COUNTY	TOTAL SHEETS	SHEET NO.
326	(119,120,121,122,123)RS-3	GRU & LIV	36	7
CONTRACT NO. 66753				
ILLINOIS FED. AID PROJECT				