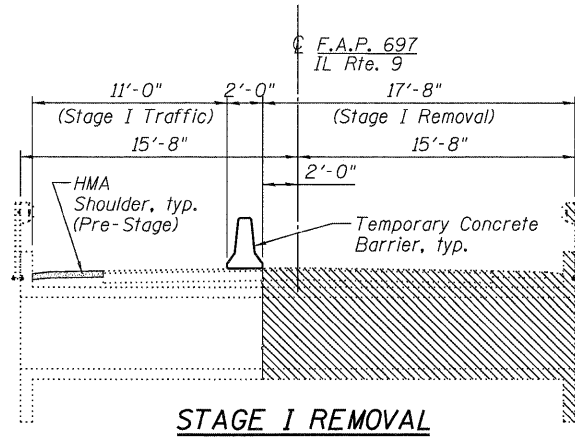
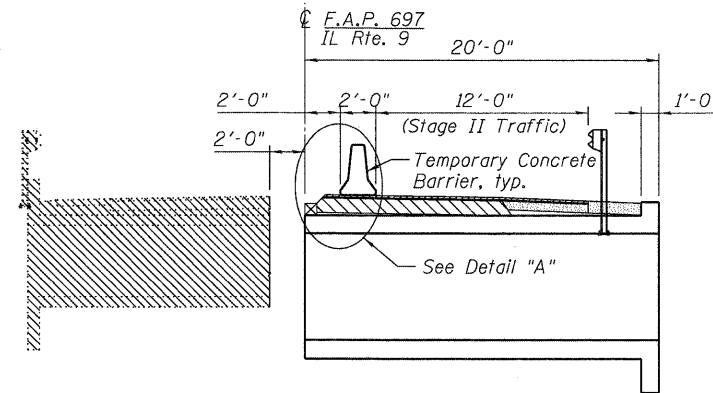


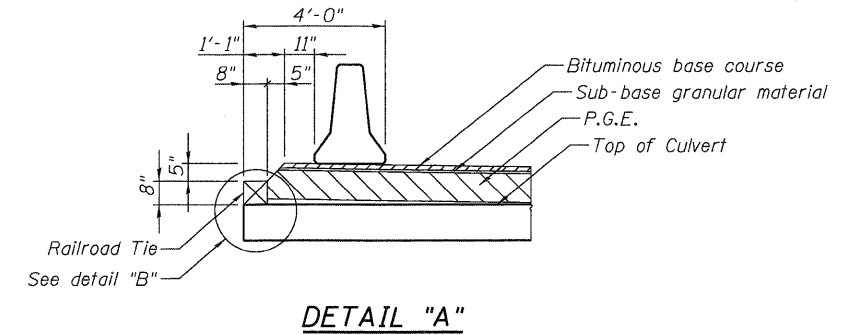
STATE OF ILLINOIS
DEPARTMENT OF TRANSPORTATION



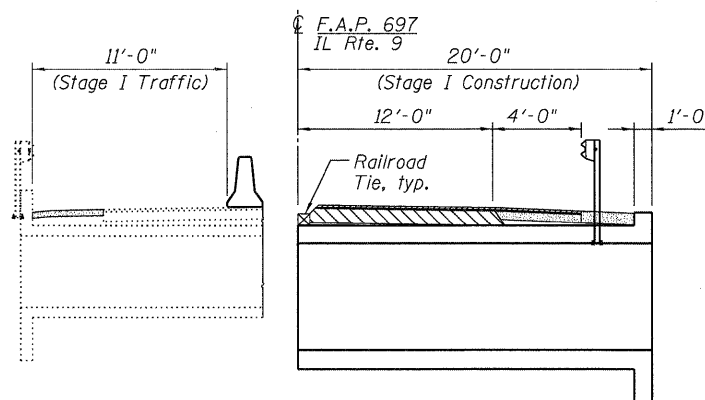
STAGE I REMOVAL



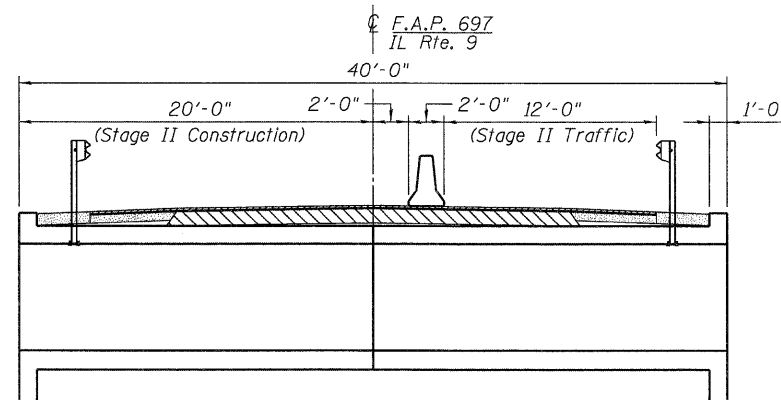
STAGE II REMOVAL



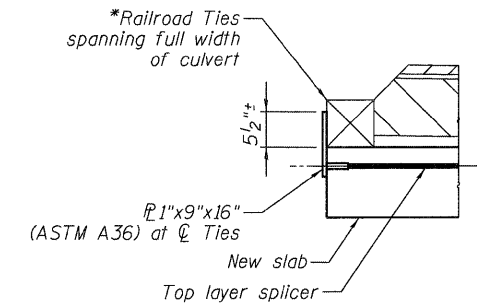
DETAIL "A"



STAGE I CONSTRUCTION



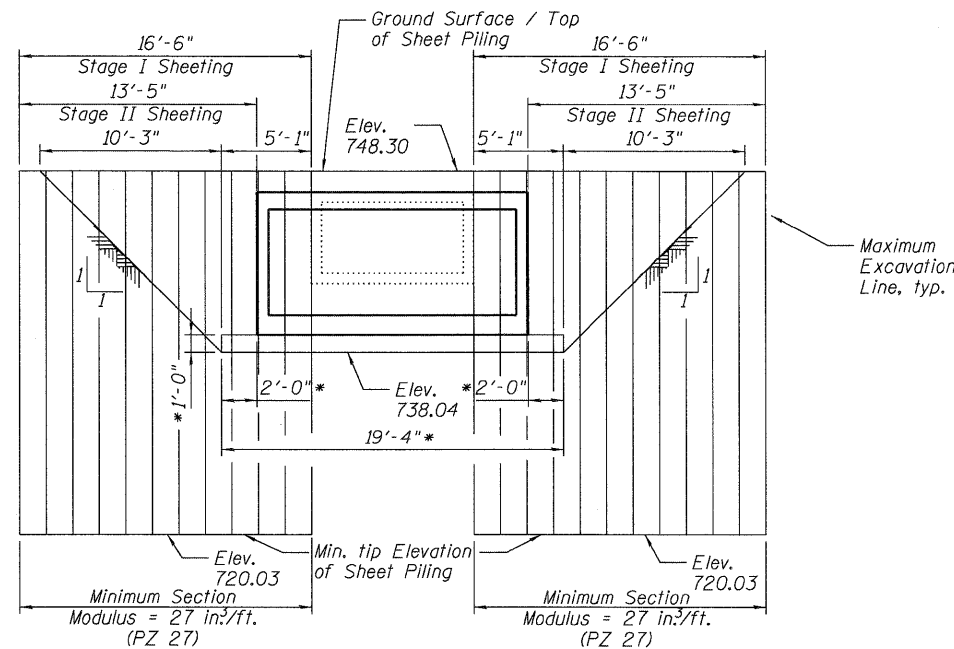
STAGE II CONSTRUCTION



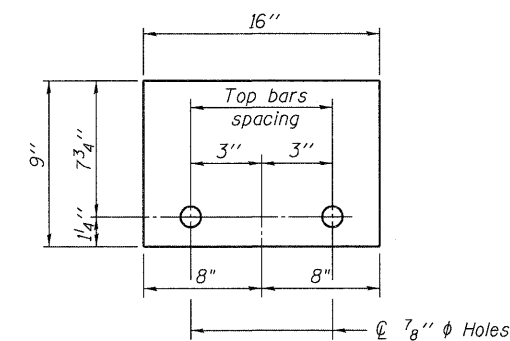
DETAIL "B"

*Cost included with "Concrete Box Culverts"

* Limits of Removal and Disposal of Unsuitable Material, See Note 3 on Sheet S1 of S5, typ.



TEMPORARY SHEET PILING



STEEL RETAINER P 1" x 9" x 16"

Notes:

- All staging cross sections are looking East.
- Hatched area indicates removal of existing structures.
- Cost of temporary concrete barrier will be included in the pay item for "Traffic Control and Protection, Standard 701321".

STAGE CONSTRUCTION
ILLINOIS ROUTE 9 OVER DRAINAGE DITCH
F.A.P. ROUTE 697 - SECTION 17(I)

FORD COUNTY
STATION 50+55.00

SN 027-2552

Scale: None March 2009

DESIGNED - GBC/GMK
CHECKED - GBC/GMK/SMK
DRAWN - RR
CHECKED - GBC/GMK/SMK

SHEET NO. S2	F.A.P. RTE. 697	SECTION 17(I)	COUNTY FORD	TOTAL SHEETS 29	SHEET NO. 18
55 SHEETS	CONTRACT NO. 66874		ILLINOIS FED. AID PROJECT		