

ROUTE	SECTION	COUNTY	TOTAL SHEETS	SHEET NO.
F.A.P. 665	*	FULTON	76	29
MKD. IL 116				

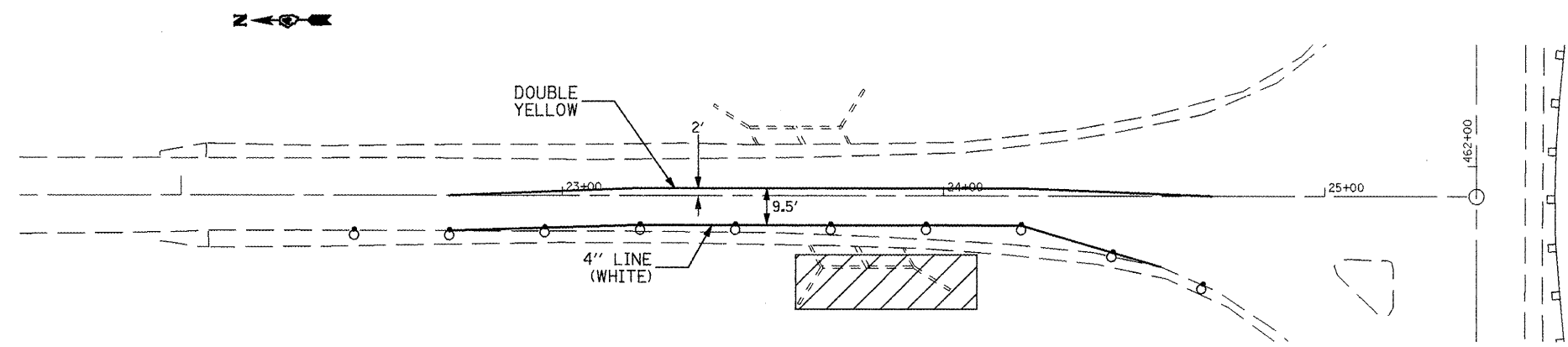
* 142 RS-6; 143[RS-4, (C-3)BR]; 142X(C-1)I

NOTES

STAGE 1

SETUP TRAFFIC CONTROL IN ACCORDANCE WITH STANDARD 701006 EXCEPT AS MODIFIED ON THIS SHEET

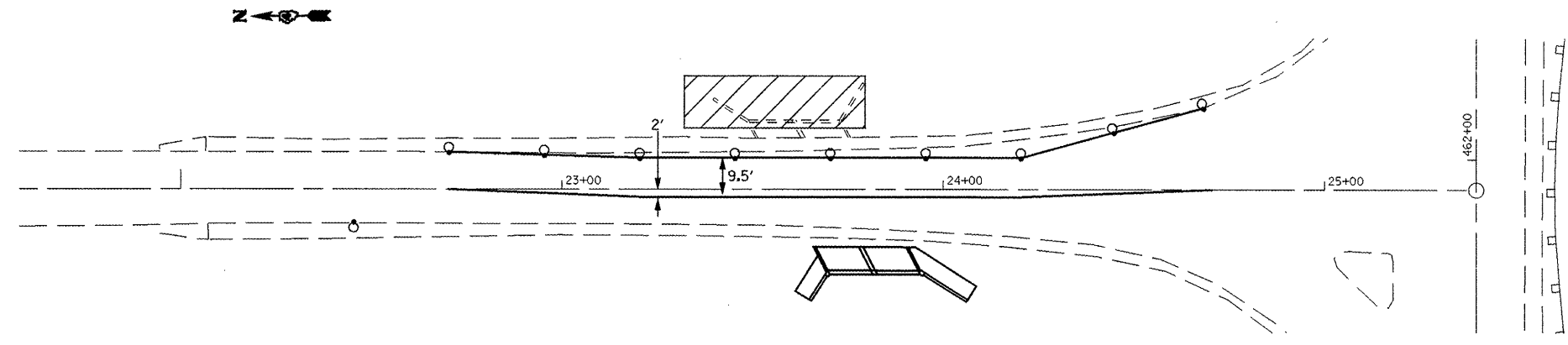
REMOVE AND REPLACE DOWNSTREAM END OF CULVERT BEFORE MOVING TRAFFIC FOR STAGE II



STAGE I

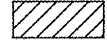


STAGE 2

SETUP TRAFFIC CONTROL IN ACCORDANCE WITH STANDARD 701006 EXCEPT AS MODIFIED ON THIS SHEET



STAGE II

LEGEND

-  WORK AREA
-  DRUM WITH STEADY BURNING LIGHT
-  TEMPORARY PAVEMENT MARKING - LINE 4"

REVISIONS	
NAME	DATE

ILLINOIS DEPARTMENT OF TRANSPORTATION

STAGING PLAN

SCALE: NOT TO SCALE
DATE 12/18/08

DRAWN BY DHS
CHECKED BY