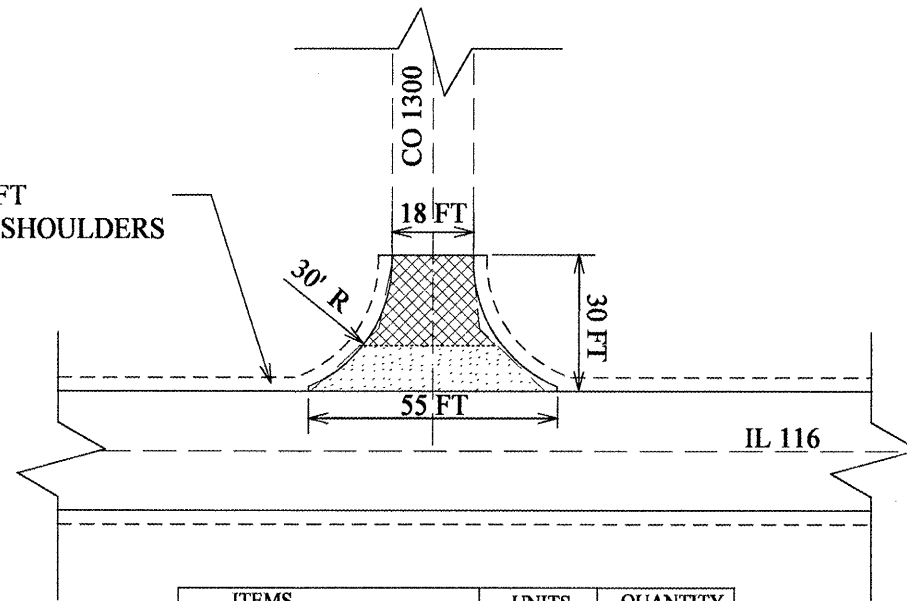


ROUTE	SECTION	COUNTY	TOTAL SHEETS	SHEET NO.
F.A.P. 665	*	FULTON	76	35
MKD. IL 116				

* 142 RS-6; 143[RS-4, (C-3)BR]; 142X(C-1)I

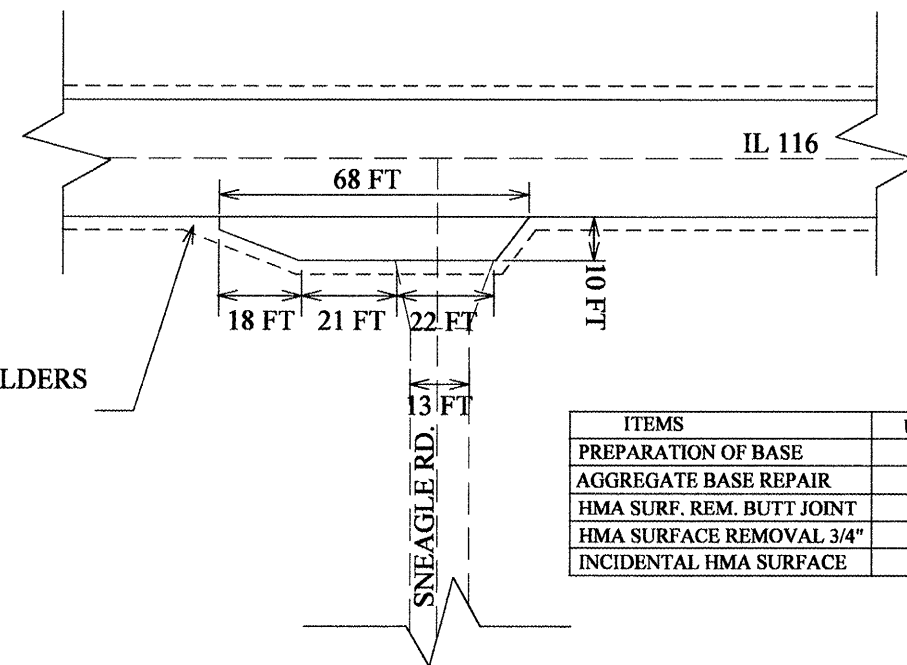


PROPOSED 3 FT
AGGREGATE SHOULDERS



ITEMS	UNITS	QUANTITY
PREPARATION OF BASE	SQYD	0
AGGREGATE BASE REPAIR	TON	0
HMA SURF. REM. BUTT JOINT	SQYD	46.96
HMA SURFACE REMOVAL 3/4"	SQYD	45.86
INCIDENTAL HMA SURFACE	TON	10.81

COUNTY ROAD 1300 AND IL 116
Not to Scale



AGGREGATE SHOULDERS
PROPOSED 3 FT

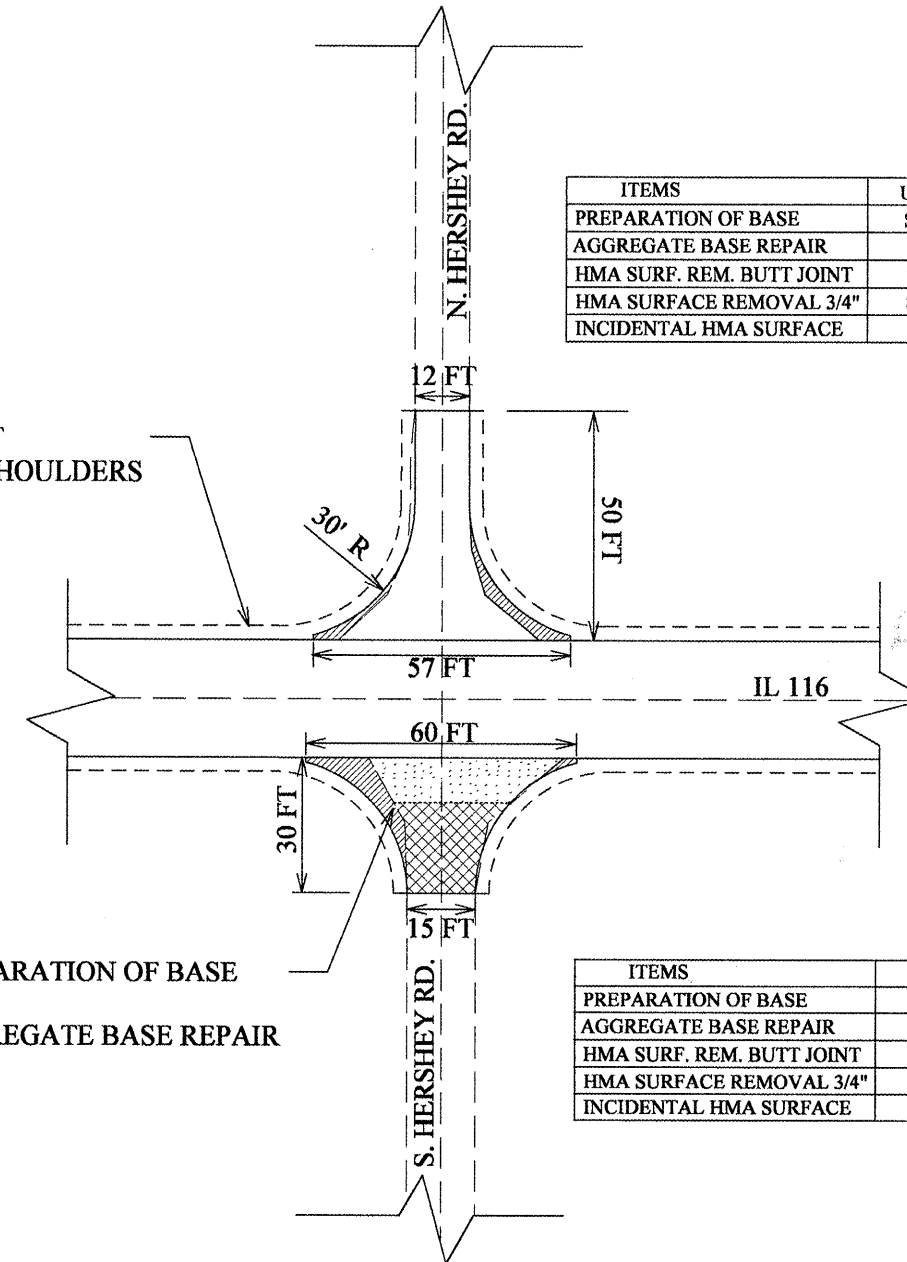
ITEMS	UNITS	QUANTITY
PREPARATION OF BASE	SQYD	0
AGGREGATE BASE REPAIR	TON	0
HMA SURF. REM. BUTT JOINT	SQYD	0
HMA SURFACE REMOVAL 3/4"	SQYD	64.67
INCIDENTAL HMA SURFACE	TON	7.24

SNEAGLE ROAD AND IL 116
Not to Scale

LEGEND:

- PREPARATION OF BASE
- HMA SURFACE REMOVAL (BUTT JOINT)
- HMA SURFACE REMOVAL 3/4"

PROPOSED 3 FT
AGGREGATE SHOULDERS



ITEMS	UNITS	QUANTITY
PREPARATION OF BASE	SQYD	12.02
AGGREGATE BASE REPAIR	TON	5.41
HMA SURF. REM. BUTT JOINT	SQYD	0
HMA SURFACE REMOVAL 3/4"	SQYD	0
INCIDENTAL HMA SURFACE	TON	12.19

PROPOSED PREPARATION OF BASE
AND
PROPOSED AGGREGATE BASE REPAIR

ITEMS	UNITS	QUANTITY
PREPARATION OF BASE	SQYD	14.47
AGGREGATE BASE REPAIR	TON	6.52
HMA SURF. REM. BUTT JOINT	SQYD	39.77
HMA SURFACE REMOVAL 3/4"	SQYD	38.25
INCIDENTAL HMA SURFACE	TON	10.36

N. & S. HERSHEY RD. AND IL 116
Not to Scale

REVISIONS	
NAME	DATE

ILLINOIS DEPARTMENT OF TRANSPORTATION

SIDERoadS DETAILS

SCALE: NOT TO SCALE
DATE 9/24/2003

DRAWN BY LCE
CHECKED BY