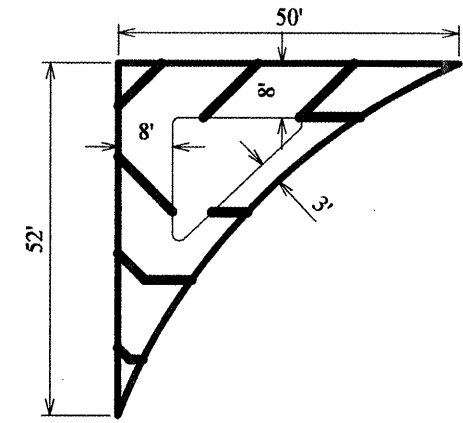
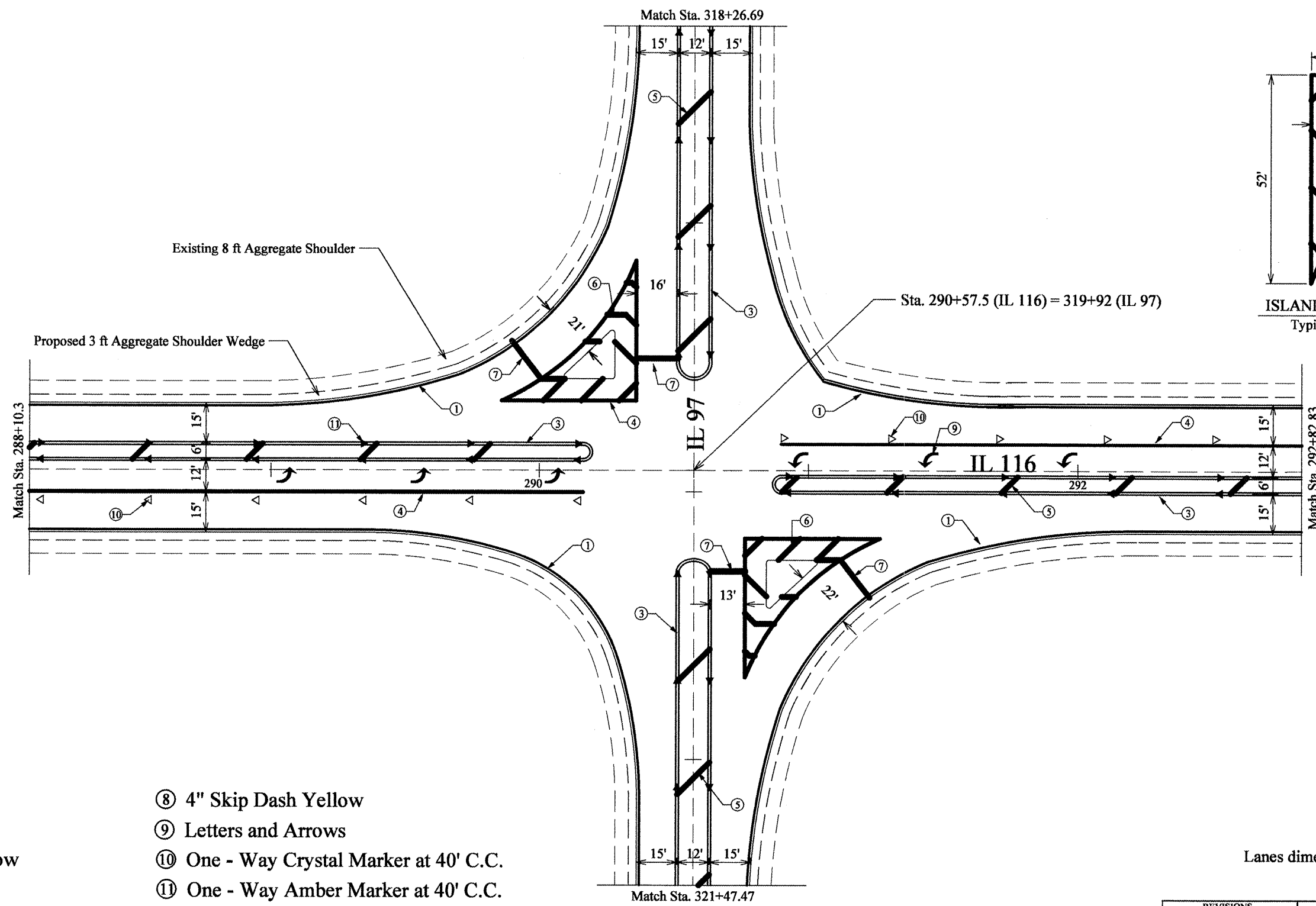




ROUTE	SECTION	COUNTY	TOTAL SHEETS	SHEET NO.
F.A.P. 665	*	FULTON	76	41
MKD. IL 116				

* 142 RS-6; 143[RS-4, (C-3)BR]; 142X(C-1)I



ISLAND MARKING DETAIL
Typical at Both Location

LEGEND:

- ① 4" Solid White
- ② 4" Solid Yellow
- ③ 4" Double Yellow
- ④ 8" Solid White
- ⑤ 12" Diagonal Yellow at 30' C.C.
- ⑥ 12" Diagonal White at 10' C.C.
- ⑦ 24" Stop Bar White
- ⑧ 4" Skip Dash Yellow
- ⑨ Letters and Arrows
- ⑩ One - Way Crystal Marker at 40' C.C.
- ⑪ One - Way Amber Marker at 40' C.C.
- ⑫ Two - Way Amber Marker at 40' C.C.
- ⑬ Two - Way Amber Marker at 80' C.C.

NOTE:
Lanes dimensions are from edge to edge

REVISIONS	
NAME	DATE

ILLINOIS DEPARTMENT OF TRANSPORTATION
**IL 116 AND IL 97
INTERSECTION DETAIL**
SCALE: NOT TO SCALE
DATE: 9/23/2003
DRAWN BY: LCE
CHECKED BY: