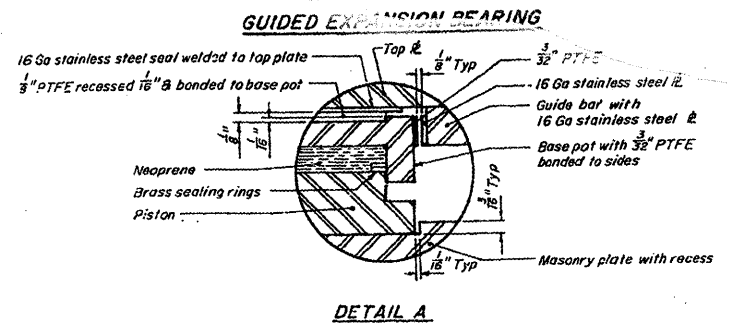
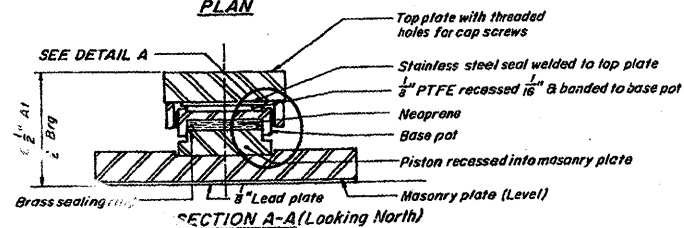
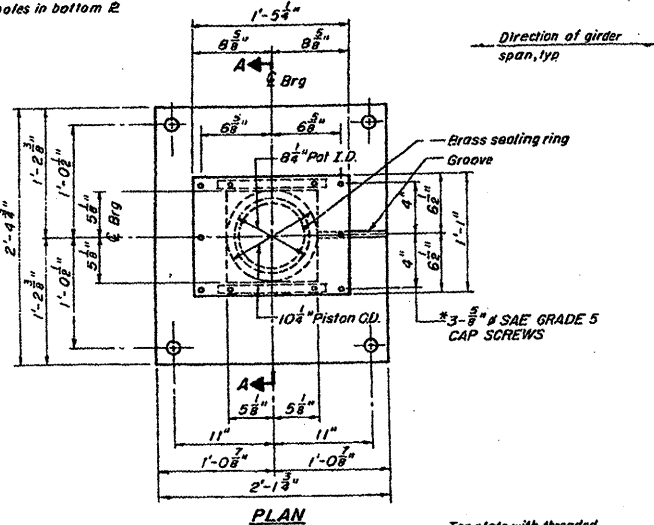
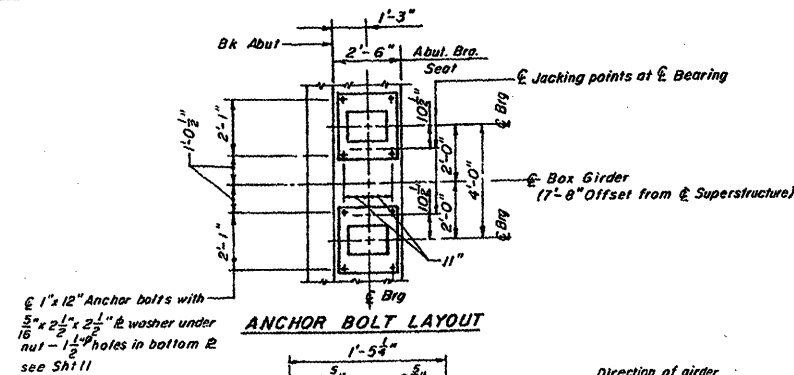


INFORMATION ONLY

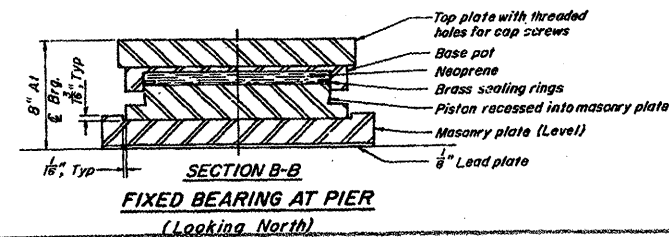
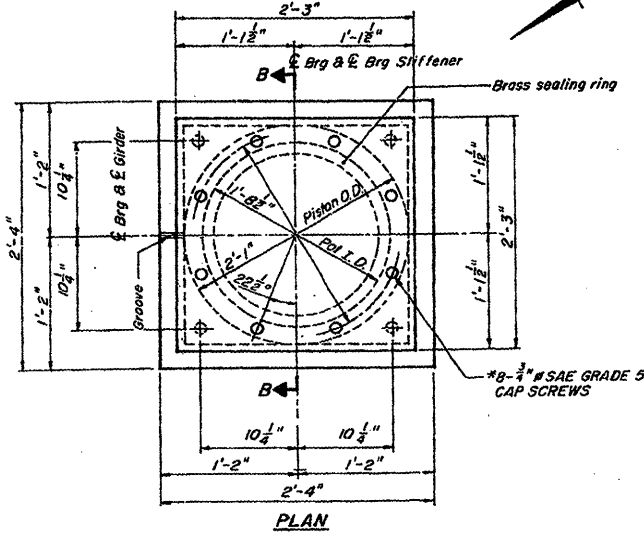
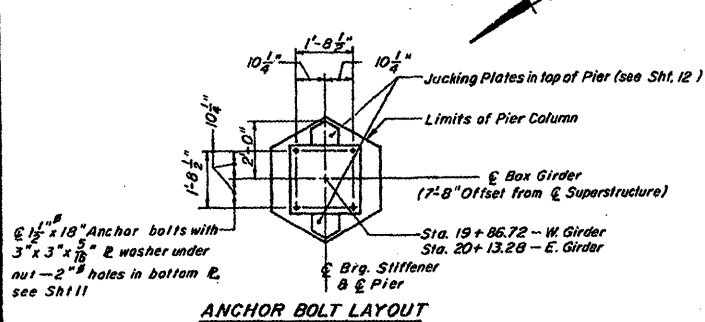
TWIN 72" WEB, 3 SIDED BOX GIRDER TO BE PAINTED

ROUTE	SECTION	COUNTY	TOTAL SHEETS	SHEET NO.
VARIOUS	D4 BRIDGE PAINTING 09	TAZEWELL	12	9

BEARING DETAILS TYPICAL AT
NEND OF E GIRDER, S. END OF W GIRDER

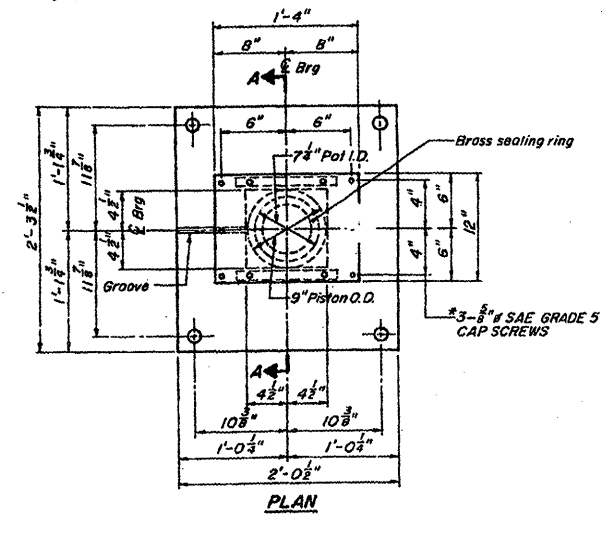
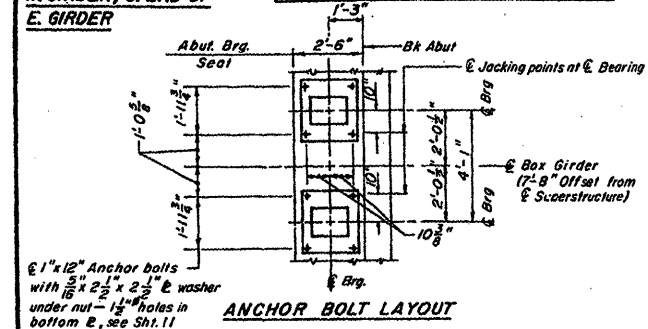


BEARING DETAILS TYPICAL AT PIERS



BEARING DETAILS
TYPICAL AT N. END OF
W. GIRDER, S. END OF
E. GIRDER

ROUTE NO.	SECTION	COUNTY	TOTAL SHEET NO.	SHEET NO.
F.A.P. 408 99-1106X1WB-2	TAZEWELL	ILLINOIS	237	87
F.N.W.A. REG. 4			PROJECT *	*F406 ()



GUIDED EXPANSION BEARING

090-0131

**BEARING
DETAIL**