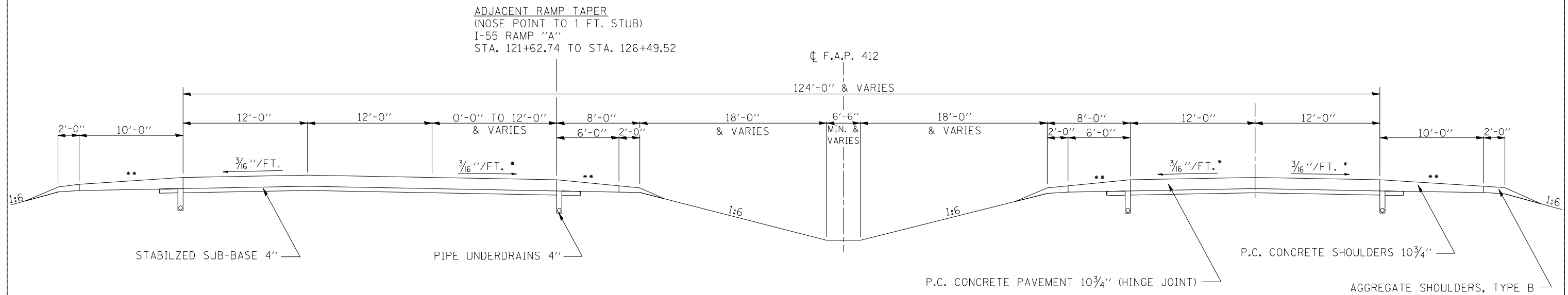


EXISTING TYPICAL SECTION F.A.P. 412 (I-39)

STA. 110+00.00 TO STA. 144+50.00



- * SLOPE VARIES FOR SUPERELEVATION IN CURVES
- ** SLOPE VARIES IN SUPERELEVATION WITH MAXIMUM OF 0.08 FT/FT DIFFERENCE

FILE NAME =	USER NAME = blackrt	DESIGNED -	REVISED -
et:\pw\work\PWIDOT\BLACKRT\dms84829\0570739-SHT-TYPICAL.dgn		DRAWN JJB	REVISED -
	PLOT SCALE = 40.0226' / IN.	CHECKED -	REVISED -
	PLOT DATE = 3/23/2009	DATE -	REVISED -

STATE OF ILLINOIS
DEPARTMENT OF TRANSPORTATION

EXISTING TYPICAL SECTION			
SCALE:	SHEET NO.	OF SHEETS	STA. TO STA.

F.A.I. RTE.	SECTION	COUNTY	TOTAL SHEETS	SHEET NO.
39	D5 PATCHING 2009-2	MCLEAN	25	7
FED. ROAD DIST. NO.			ILLINOIS FED. AID PROJECT	
			CONTRACT NO. 70739	