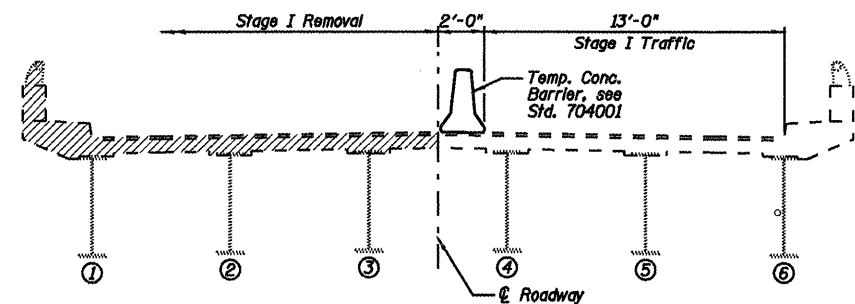
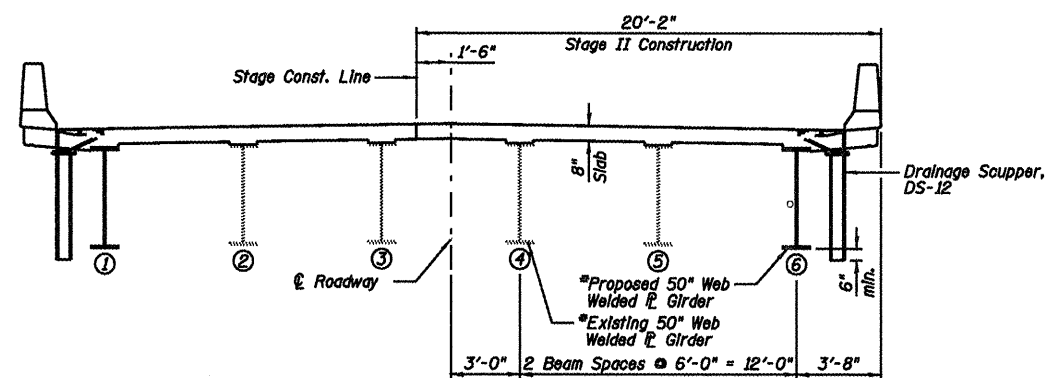


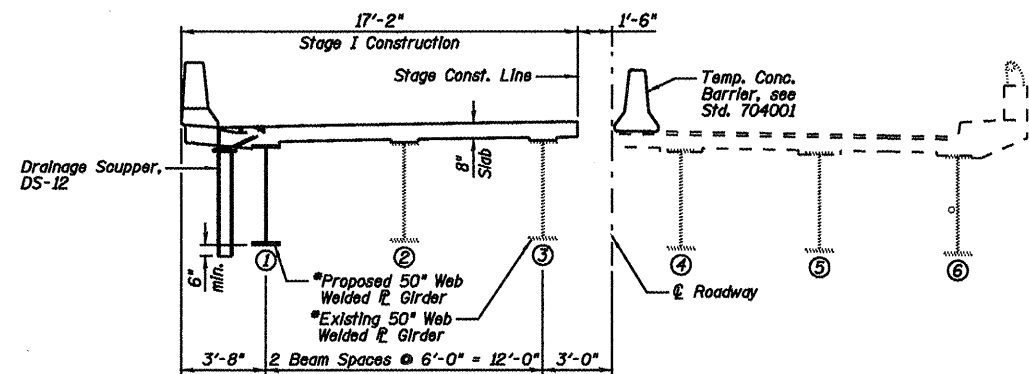
STATE OF ILLINOIS  
DEPARTMENT OF TRANSPORTATION



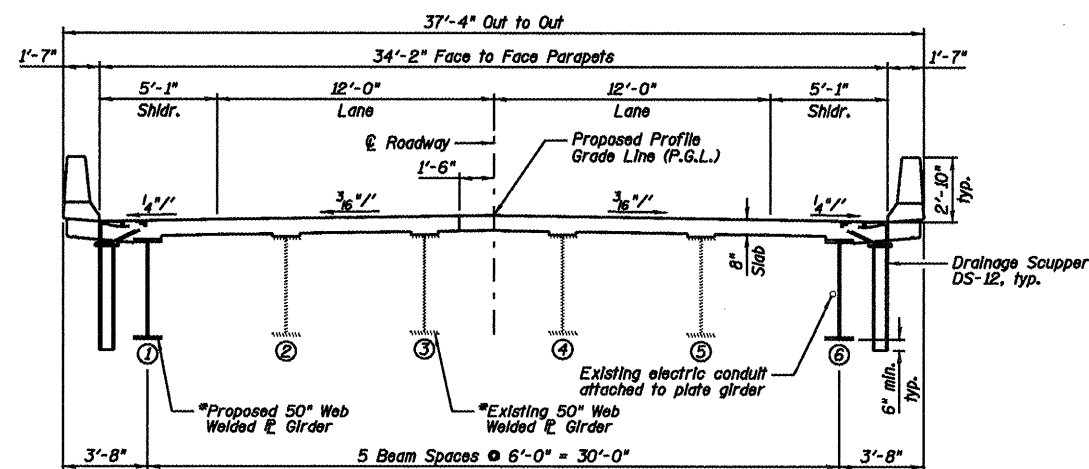
**STAGE I REMOVAL**  
(@ Looking North)



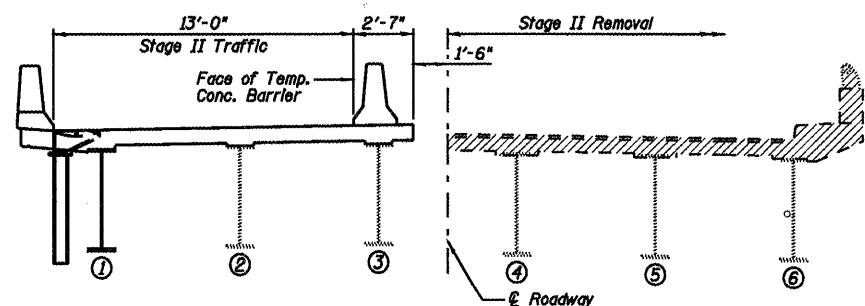
**STAGE II CONSTRUCTION**  
(@ Looking North)



**STAGE I CONSTRUCTION**  
(@ Looking North)



**CROSS SECTION**  
(@ Looking North)



**STAGE II REMOVAL**  
(@ Looking North)

FOR INFORMATION  
ONLY

**STAGE CONSTRUCTION**  
**STRUCTURE NO. 084-0028**

DESIGNED	JML
CHECKED	MSW
DRAWN	DJM
CHECKED	MGO/MSW

DATE 12/16/08

**NOTE:**

\* Composite in positive moment region only.

SHEET NO. B3 19 SHEETS	F.A.I. RTE.	SECTION	COUNTY	TOTAL SHEETS	SHEET NO.
	55	(84-3HB-6)BR-F	SANGAMON	21	5
SN 084-0028			CONTRACT NO. 72C50		
FED. ROAD DIST. NO. 6 ILLINOIS FED. AID PROJECT					