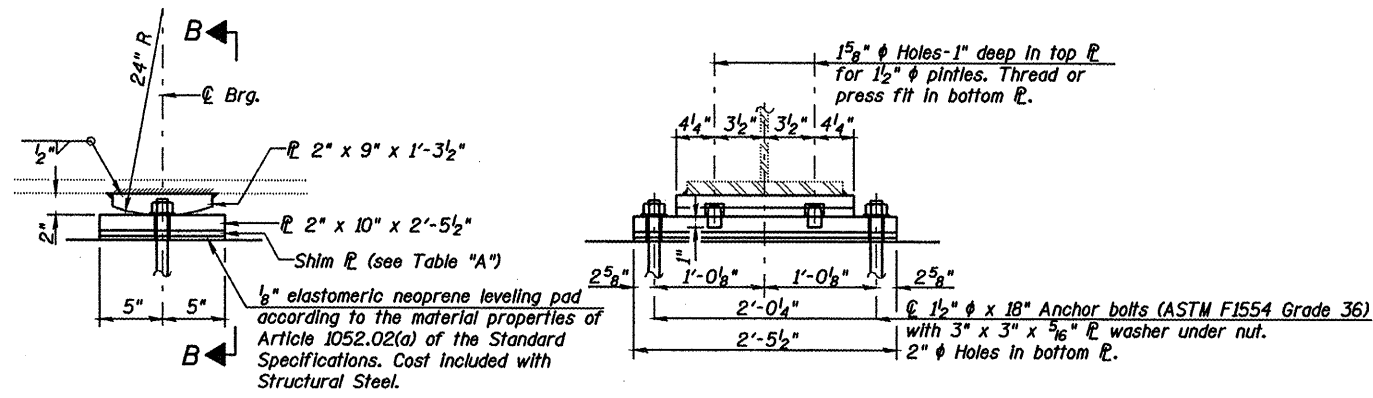


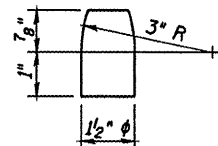
STATE OF ILLINOIS
DEPARTMENT OF TRANSPORTATION



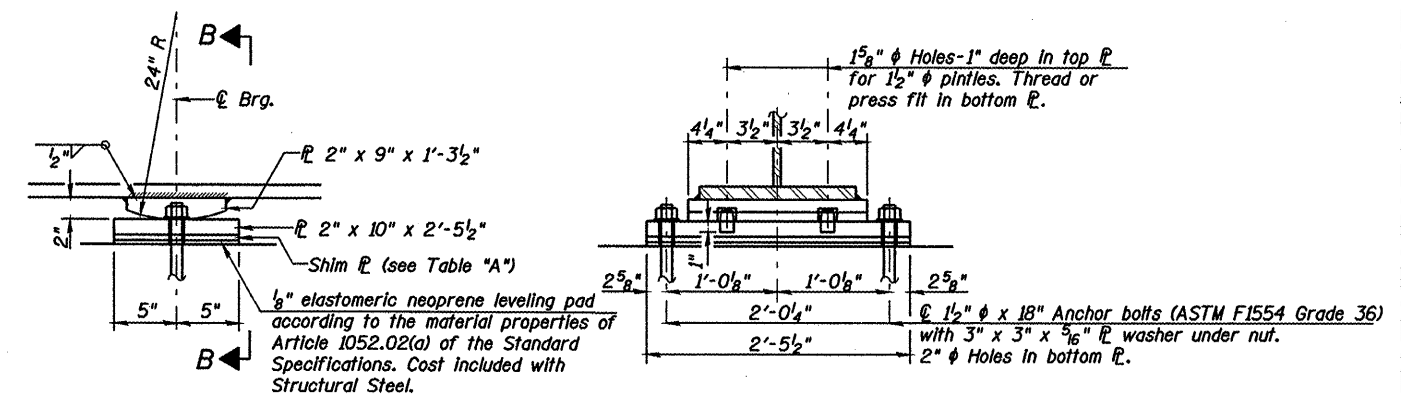
ELEVATION AT PIER NO. 1

SECTION B-B

FIXED BEARING - EXISTING
(At Pier No. 1 - 4 Required)



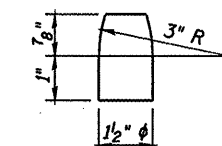
PINTLE



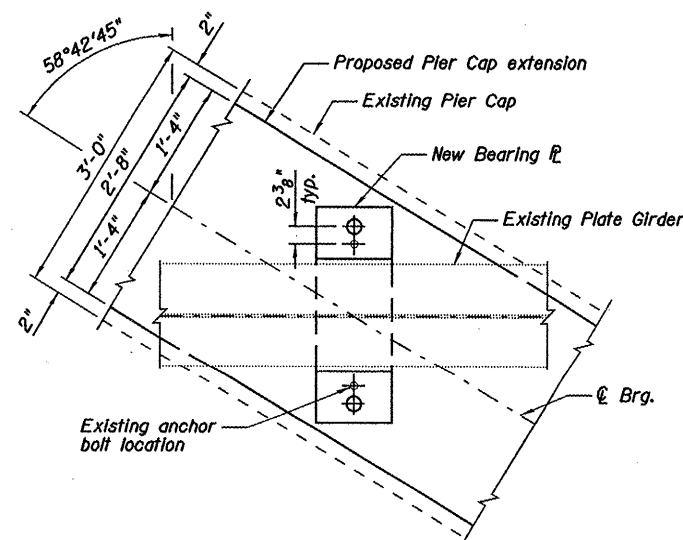
ELEVATION AT PIER NO. 1

SECTION B-B

FIXED BEARING - PROPOSED
(At Pier No. 1 - 2 Required)

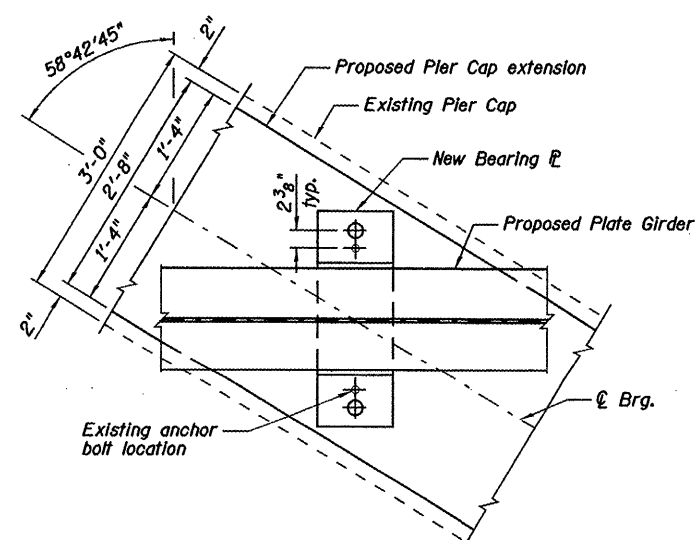


PINTLE



BEARING PLAN AT PIER NO. 1

Notes:
Anchor bolts shall be ASTM F1554 all-thread (or an Engineer-approved alternate material) of the grade(s) and diameter(s) specified. ASTM A307 Grade C anchor bolts may be used in lieu of ASTM F1554 Grade 36 (Fy=36ksi). The corresponding specified grade of AASHTO M314 anchor bolts may be used in lieu of ASTM F1554.
Anchor bolts at fixed bearings may be either cast in place or installed in holes drilled after the supported member is in place.
Drilled and set anchor bolts shall be installed according to Article 52L06 of the Standard Specifications.



BEARING PLAN AT PIER NO. 1

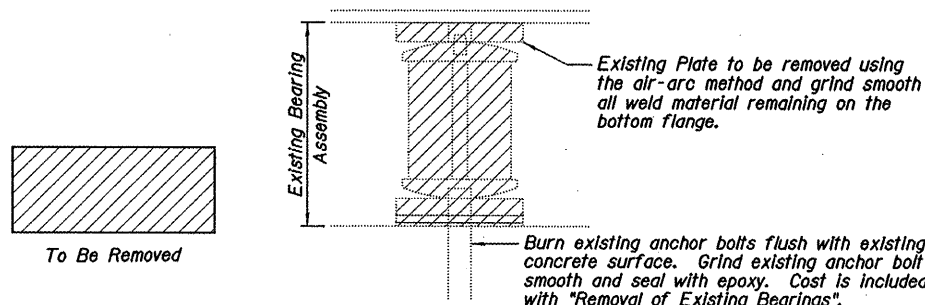
BILL OF MATERIAL

Item	Unit	Total
Anchor Bolts, 1 1/2"	Each	12

Δ For Information Only

TABLE "A"

Girder No.	Shim Thickness
1	1/4"
3	1/2"



EXISTING BEARING REMOVAL DETAIL

DESIGNED	JML
CHECKED	MSW
DRAWN	DJM
CHECKED	MGO/MSW

DATE 12/16/08

FARNSWORTH GROUP, INC.

CONSULTING ENGINEERS - 2709 MCGRAW DRIVE BLOOMINGTON, ILLINOIS 61704 (309) 663-8435 / (309) 663-1571 FAX

NOTE:

Two 1/2 in. adjusting shims shall be provided for each bearing in addition to all other plates or shims and placed as shown on bearing details.

SHEET NO. B14 19 SHEETS	F.A.I. RTE.	SECTION	COUNTY	TOTAL SHEETS	SHEET NO.
	55	(84-3HB-6)BR-F	SANGAMON	21	16
SN 084-0028			CONTRACT NO. 72C50		
FED. ROAD DIST. NO. 6 ILLINOIS FED. AID PROJECT					

EXISTING/PROPOSED GIRDER
FIXED BEARING DETAILS
STRUCTURE NO. 084-0028