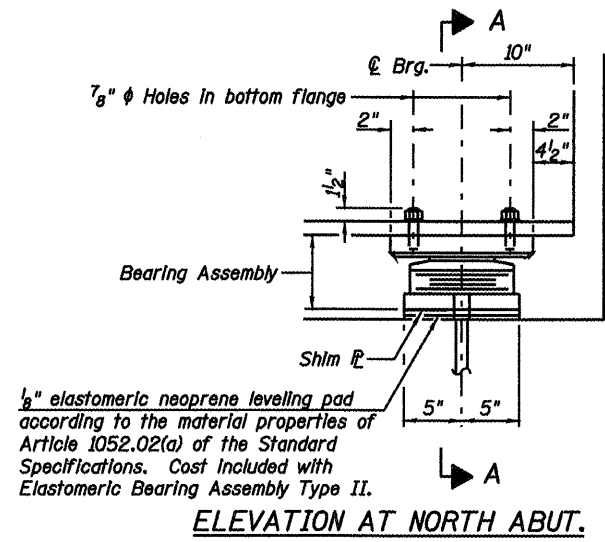


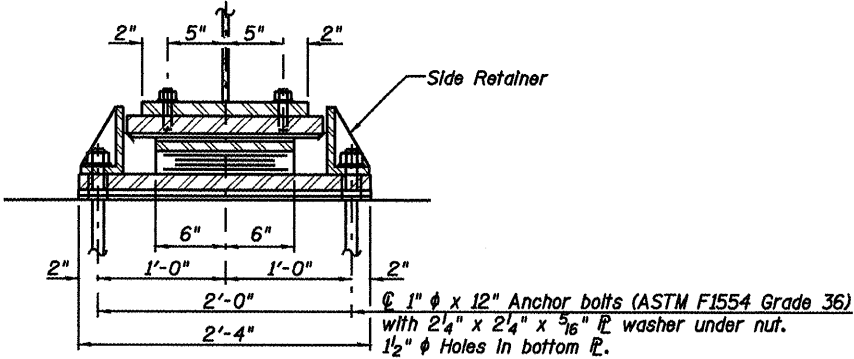
STATE OF ILLINOIS  
DEPARTMENT OF TRANSPORTATION



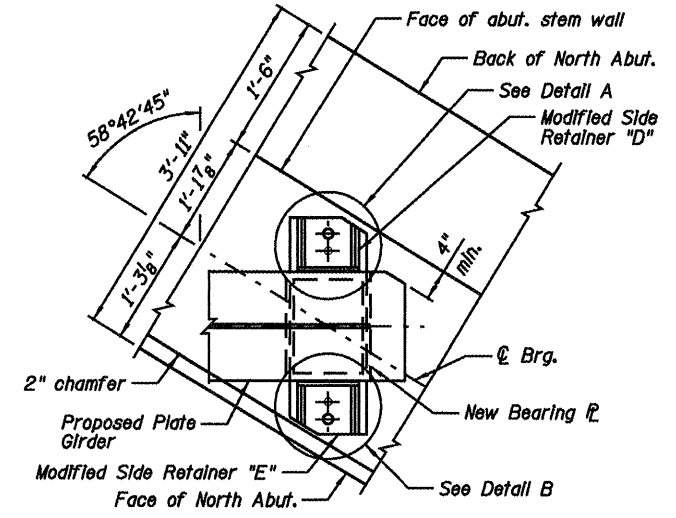
1/2" elastomeric neoprene leveling pad according to the material properties of Article 1052.02(a) of the Standard Specifications. Cost included with Elastomeric Bearing Assembly Type II.

ELEVATION AT NORTH ABUT.

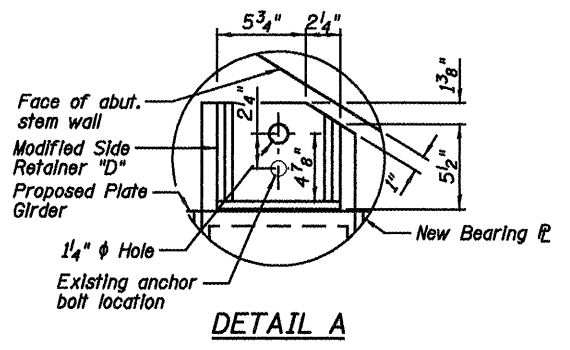
TYPE II ELASTOMERIC EXP. BRG.  
(At North Abutment - 2 Required)



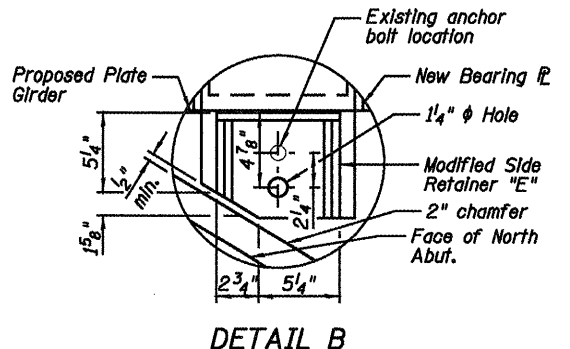
SECTION A-A



BEARING PLAN AT NORTH ABUTMENT



DETAIL A



DETAIL B

Notes:  
Anchor bolts shall be ASTM F1554 all-thread (or an Engineer-approved alternate material) of the grade(s) and diameter(s) specified. ASTM A307 Grade C anchor bolts may be used in lieu of ASTM F1554 Grade 36 (Fy=36ksi). The corresponding specified grade of AASHTO M314 anchor bolts may be used in lieu of ASTM F1554.

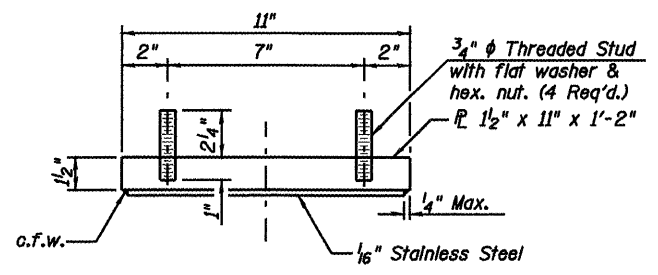
Anchor bolts for Type II bearings shall be placed in holes drilled in the concrete through holes in the bottom bearing plate after members are in place. Side retainers shall be placed after bolts are installed.

Drilled and set anchor bolts shall be installed according to Article 521.06 of the Standard Specifications.

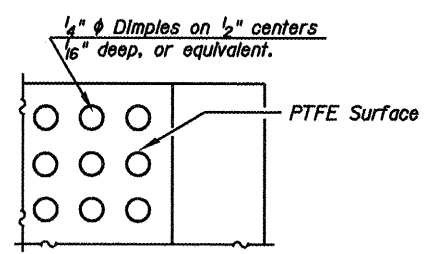
Side retainers and other steel members required for the bearing assembly shall be included in the cost of Elastomeric Bearing Assembly, Type II.

The 1/8" PTFE sheet shall be bonded directly to the top steel plate with a two-component, medium viscosity epoxy resin, conforming to the requirements of the Federal Specification MMM-A-134, Type I. The bond agent shall be applied on the full area of the contact surfaces.

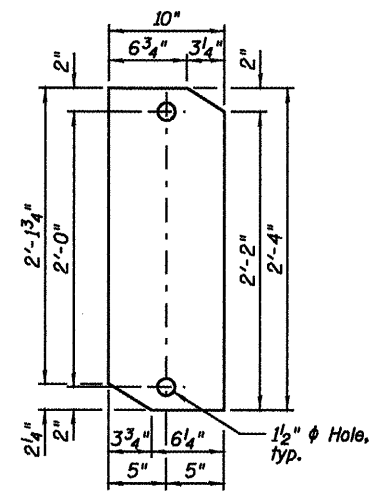
Bonding of 1/8" PTFE sheet during vulcanizing process will be permitted provided the process and method of adjusting assembly height is approved by the Engineer.



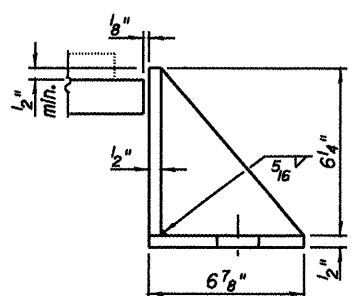
TOP BEARING ASSEMBLY



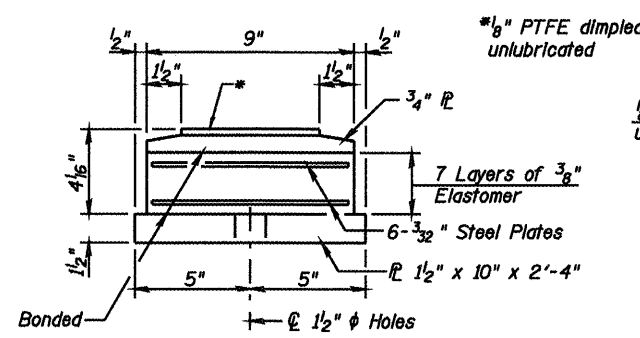
PLAN-PTFE SURFACE



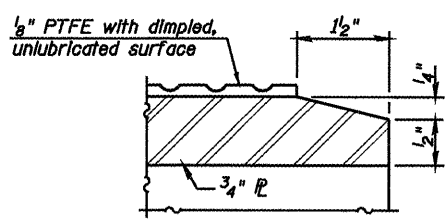
BOTTOM PLATE PLAN



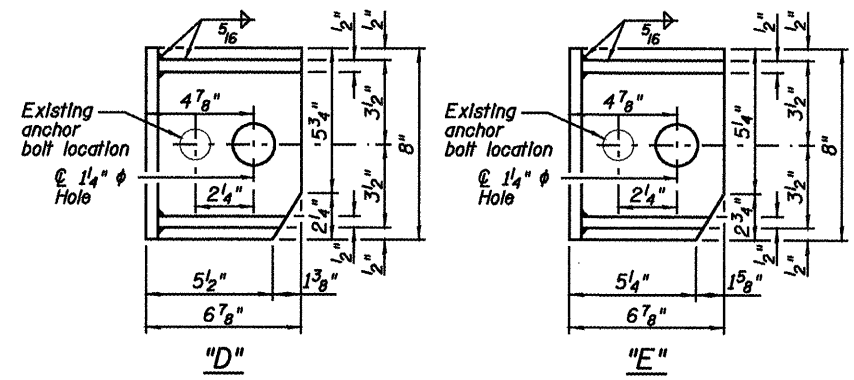
MODIFIED SIDE RETAINER  
Equivalent rolled angle with stiffeners will be allowed in lieu of welded plates.



BOTTOM BEARING ASSEMBLY



SECTION THRU PTFE



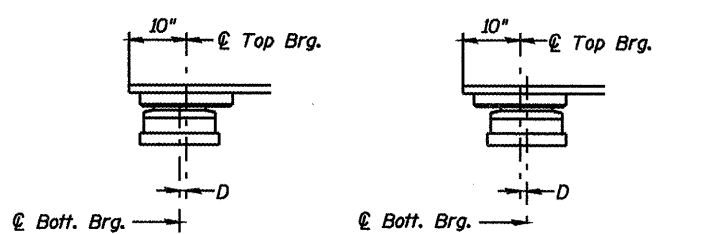
MODIFIED SIDE RETAINER  
Equivalent rolled angle with stiffeners will be allowed in lieu of welded plates.

BILL OF MATERIAL

Item	Unit	Total
Furnishing Elastomeric Bearing Assembly, Type II	Each	2
Anchor Bolts, 1"	Each	4

Δ For Information Only

PROPOSED GIRDER TYPE II  
BEARING DETAILS  
STRUCTURE NO. 084-0028



SETTING ANCHOR BOLTS AT EXP. BRG.  
D=1/8" per each 100' of expansion for every 15° temp. change from the normal temp. of 50°F.

NOTE:  
Two 1/8" adjusting shims shall be provided for each bearing in addition to all other plates or shims and placed as shown on bearing details.

DESIGNED JML
CHECKED MSW
DRAWN DJM
CHECKED MGO/MSW

DATE 12/16/08 I-2E-2 10-1-08

SHEET NO. B18 19 SHEETS	F.A.I. RTE.	SECTION	COUNTY	TOTAL SHEETS	SHEET NO.
	55	(84-3HB-6)BR-F	SANGAMON	21	20
SN 084-0028			CONTRACT NO. 72C50		
FED. ROAD DIST. NO. 6 ILLINOIS FED. AID PROJECT					