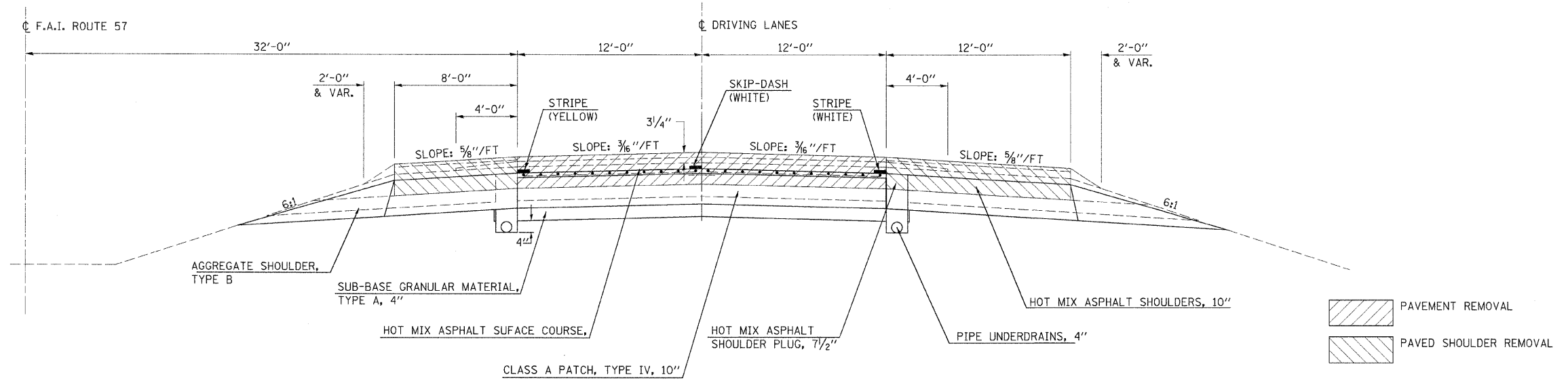


5 PROPOSED TYPICAL CROSS SECTION

STA. 1279+87.60 TO STA. 1283+17.60
 STA. 1385+26.00 TO STA. 1388+56.00



FILE NAME =	USER NAME = swartzw	DESIGNED - JLD	REVISED -	STATE OF ILLINOIS DEPARTMENT OF TRANSPORTATION	PROPOSED TYPICAL SECTIONS			F.A.I. RTE.	SECTION	COUNTY	TOTAL SHEETS	SHEET NO.
ex:\pwwork\VPWIDOT\SWARTZRW\dms38044\d74158-shit\typical.dgn	PLOT SCALE = 50,0000 1/ IN.	DRAWN - JLD	REVISED -					57	15(22,23,24,25,26)RS-3	COLES	87	10
	PLOT DATE = 3/29/2009	CHECKED -	REVISED -		CONTRACT NO. 74158							
		DATE -	REVISED -		SCALE: NA SHEET NO. 3 OF 3 SHEETS STA. TO STA.			FED. ROAD DIST. NO. ILLINOIS FED. AID PROJECT				