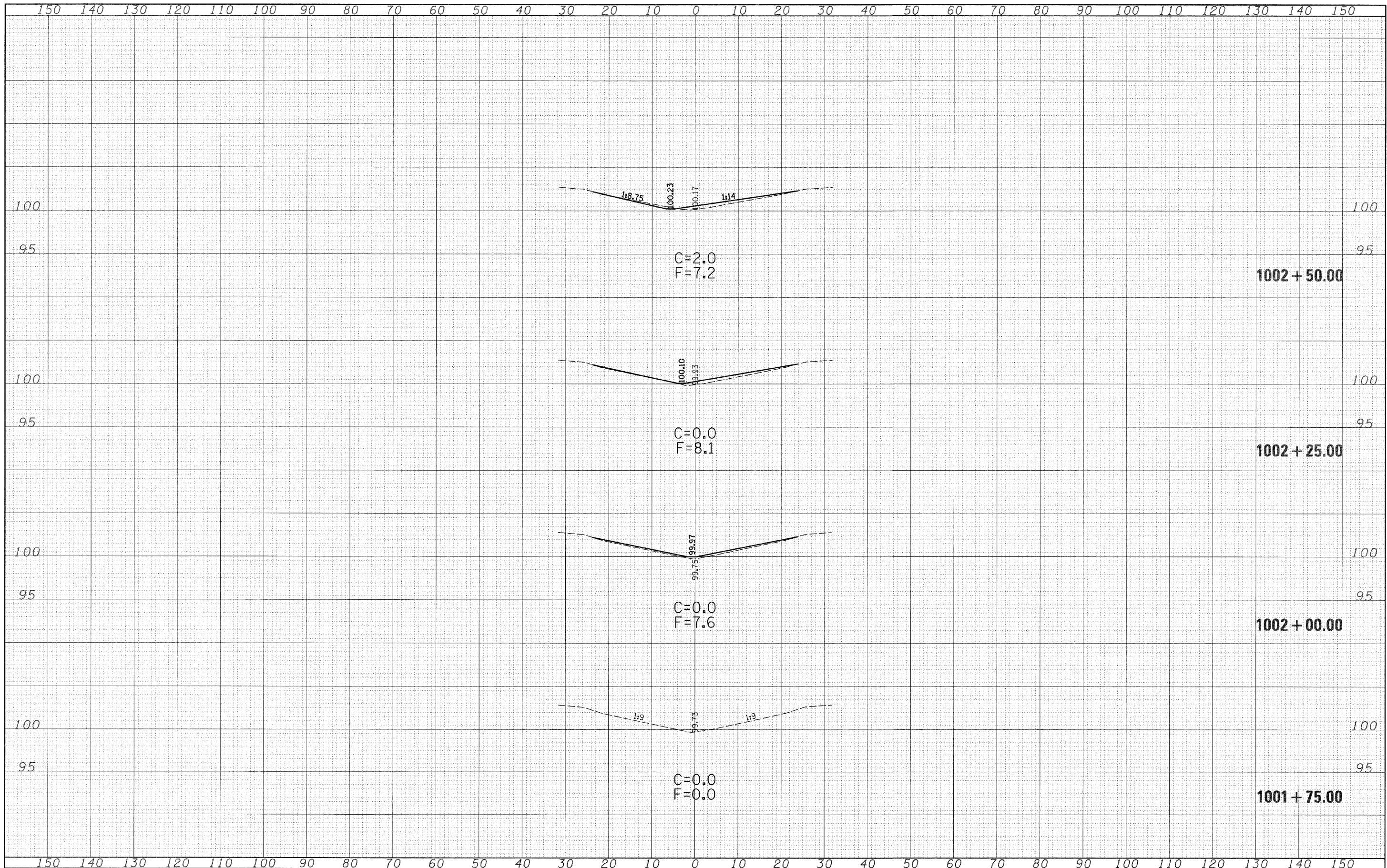


| | |
|----------|--|
| DATE | |
| BY | |
| REVIEWED | |
| PLOTTED | |
| TEMPLATE | |
| AREAS | |
| CHECKED | |
| NO. | |

| | |
|----------|--|
| DATE | |
| BY | |
| REVIEWED | |
| PLOTTED | |
| TEMPLATE | |
| AREAS | |
| CHECKED | |
| NO. | |



| | | | | | | | | | | |
|---|------------------------|----------------|---------------------------|---|---|-------------------------|---------|------------------------------------|--------------|-----------|
| FILE NAME = | USER NAME = davissonjl | DESIGNED - JLD | REVISED - | STATE OF ILLINOIS DEPARTMENT OF TRANSPORTATION | CROSS SECTIONS S.N. 015-0044 | F.A.I. RTE. | SECTION | COUNTY | TOTAL SHEETS | SHEET NO. |
| ci:\pw\work\PIWIDOT\DAVISONJL\dms38044\vs044sheet_74158.dgn | DRAWN - JLD | REVISED - | 57 | | | 15(22,23,24,25,26)RS-3 | COLES | 87 | 72 | |
| PLOT SCALE = 10.0000' / IN. | CHECKED - | REVISED - | CONTRACT NO. 74158 | | | | | | | |
| PLOT DATE = 2/9/2009 | DATE - | REVISED - | ILLINOIS FED. AID PROJECT | | | | | | | |
| | | | | | SCALE: 10:5 | SHEET NO. 1 OF 5 SHEETS | | STA. 1001+75.00 TO STA. 1002+50.00 | | |