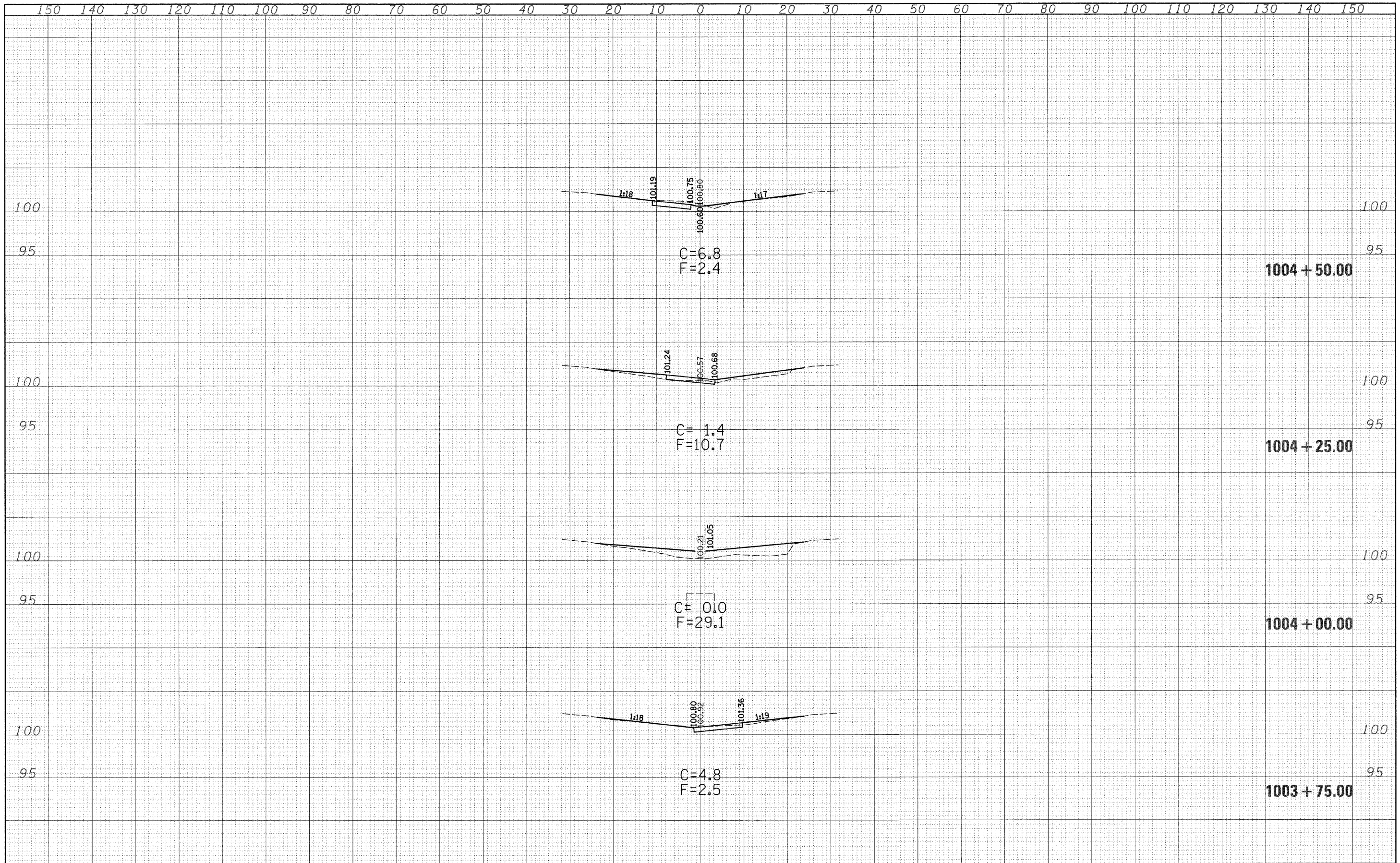


DATE	
BY	
REVISIONS	
NO.	
DATE	
BY	
REVISIONS	
NO.	
DATE	
BY	
REVISIONS	
NO.	

DATE	
BY	
REVISIONS	
NO.	
DATE	
BY	
REVISIONS	
NO.	
DATE	
BY	
REVISIONS	
NO.	



FILE NAME =	USER NAME = davissonjl	DESIGNED - JLD	REVISED -	STATE OF ILLINOIS DEPARTMENT OF TRANSPORTATION	CROSS SECTIONS S.N. 015-0044	F.A.I RTE.	SECTION	COUNTY	TOTAL SHEETS	SHEET NO.	
cr:\pw\work\PM\DOT\DAVISONJL\dms38044\vs044sheet.74158.dgn	PLOT SCALE = 10.0000' / IN.	DRAWN - JLD	REVISED -			57	15(22,23,24,25,26)RS-3	COLES	87	74	
PLOT DATE = 2/9/2009	DATE -	CHECKED -	REVISED -			SCALE: 10:5		SHEET NO. 3 OF 5 SHEETS		STA. 1003+75.00 TO STA. 1004+50.00	
						ILLINOIS FED. AID PROJECT					