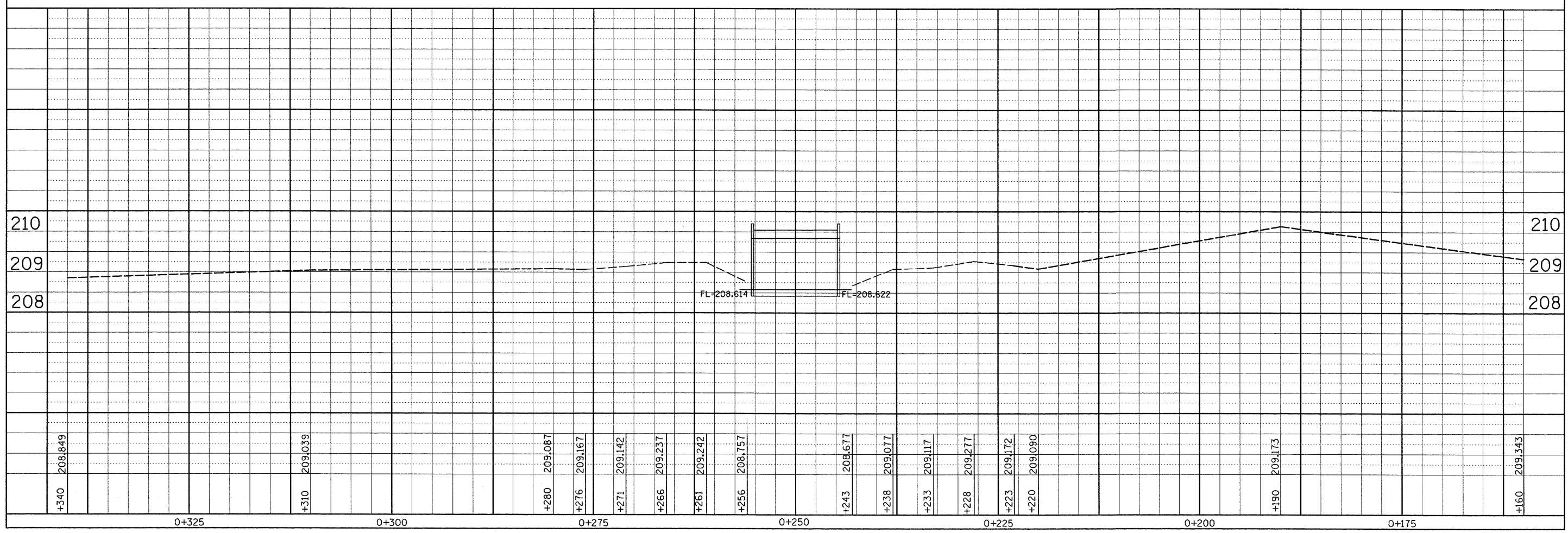
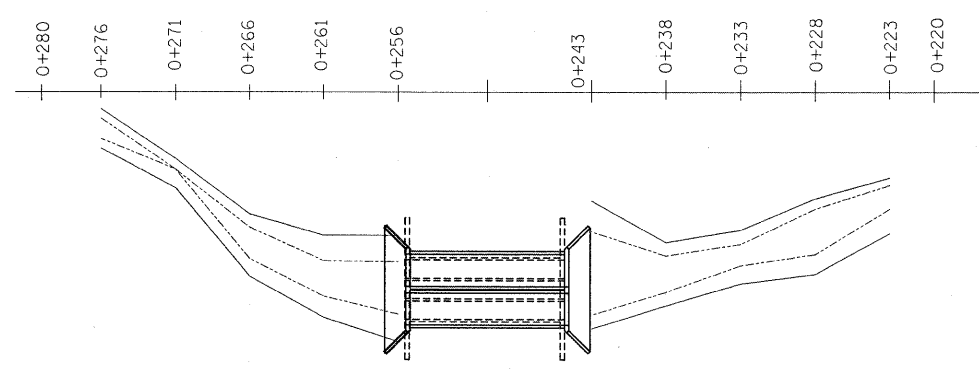


F.A.S. RTE.	SECTION	COUNTY	TOTAL SHEETS	SHEET NO.
•	288R	COLES	21	9
STA.		TO STA.		
FED. ROAD DIST. NO.		ILLINOIS FED. AID PROJECT		
• F.A.S. 674 (C.H. 31)				

STREAM PROFILE



FINAL SURVEY	BY	DATE
SURVEYED		
PLOTTED		
NOTE BOOK		
NO.		
AREAS CHECKED		

ORIGINAL SURVEY	BY	DATE
SURVEYED		
PLOTTED		
NOTE BOOK		
NO.		
AREAS CHECKED		