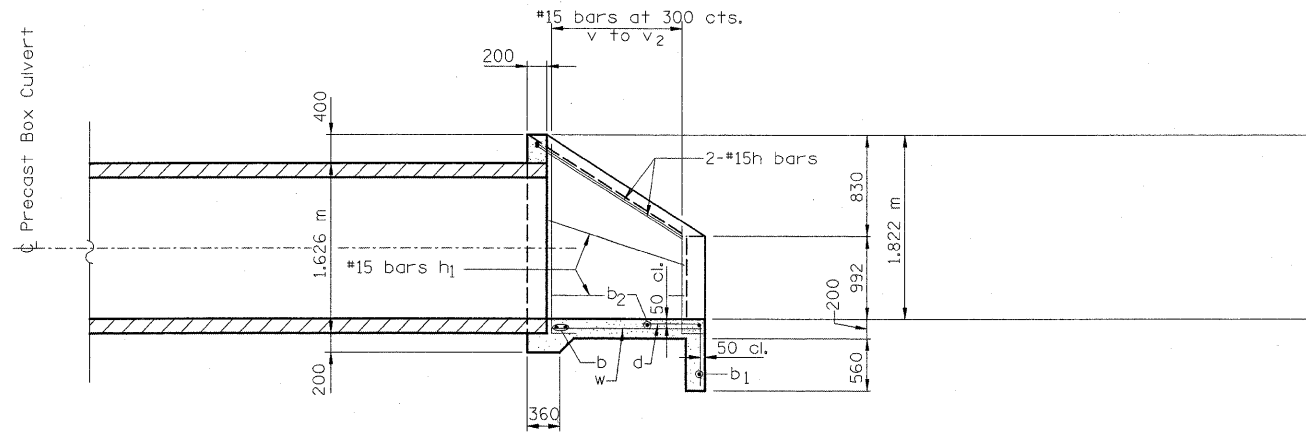
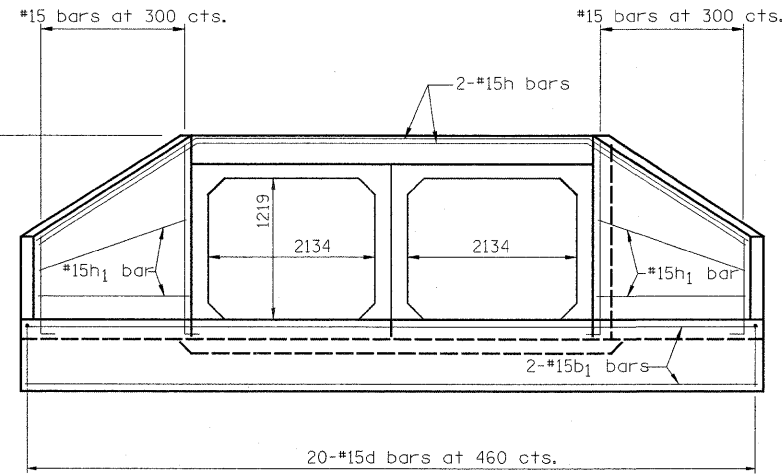


F.A.S. RTE.	SECTION	COUNTY	TOTAL SHEETS	SHEET NO.
674	28 BR	COLES	21	13



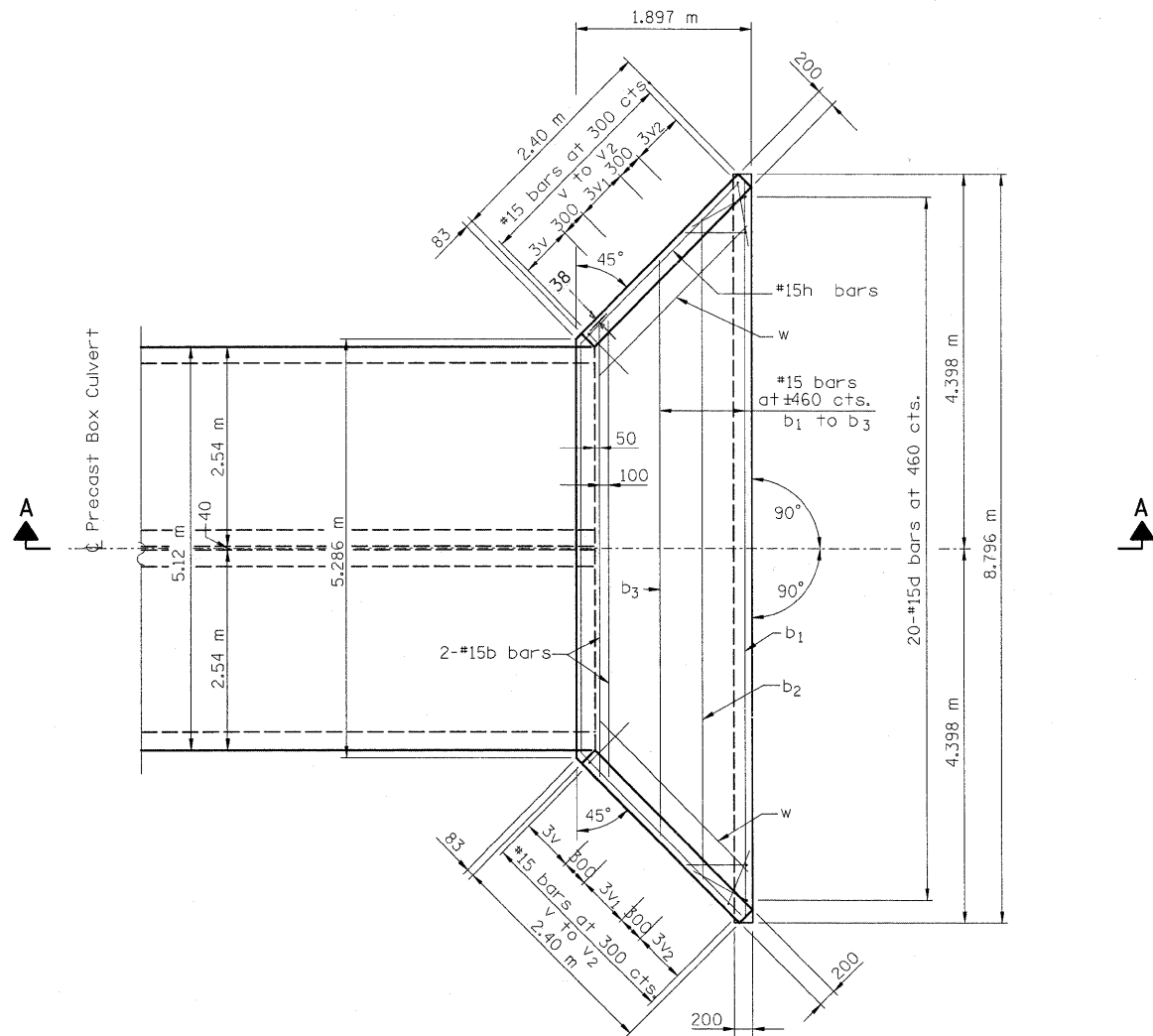
SECTION A-A



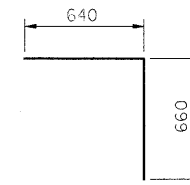
END VIEW

NOTES

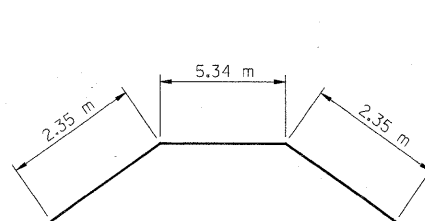
All bars shall be round and shall conform to the requirements of Art. 1006.10 of the Standard Specifications. Concrete Box Culverts shall be used throughout. Build tops of headwalls parallel to grade line. The Precast Concrete Box Culvert Sections shall conform to the requirements of AASHTO M273. All dimensions are in millimeters (mm) unless otherwise noted.



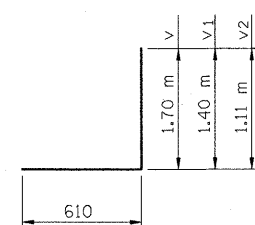
PLAN



BAR d



BAR h



BARS v, v1, v2, v3 etc.

**BILL OF MATERIAL
(ONE HEADWALL)**

Bar	No.	Size	Length (m)	Shape
b	2	#15	5.54	—
b1	2	#15	8.79	—
b2	1	#15	7.77	—
b3	1	#15	6.81	—
d	20	#15	1.30	└
h	2	#15	10.04	┌
h1	2	#15	2.30	—
v	6	#15	2.31	└
v1	6	#15	2.01	└
v2	6	#15	1.72	└
v3	16	#15	1.30	—
w	2	#15	2.30	—
Reinforcement Bars			kg	240
Concrete Box Culverts			Cu. m	5.6

Item	Unit	Quantity
Box Culvert End Sections	Each	2

BOX CULVERT END SECTIONS (CAST IN PLACE)
STA. 7+706.792 0° SKEW