

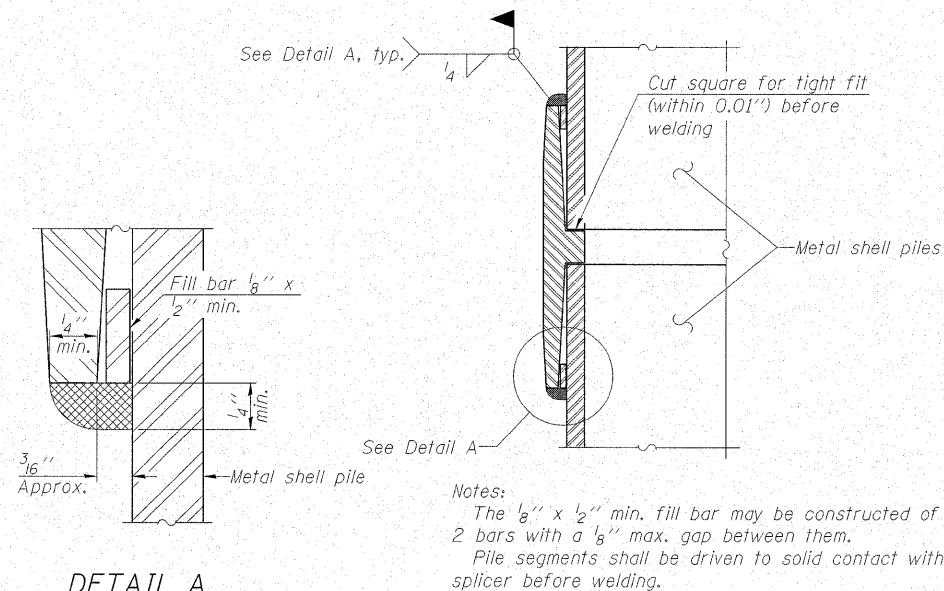
STATE OF ILLINOIS
DEPARTMENT OF TRANSPORTATION

ROUTE NO.	SECTION	COUNTY	TOTAL SHEETS	SHEET NO.	SHEET NO. 15
FAP 770 IL 128	(115BR) B-1	SHELBY	39	32	19 SHEETS
FED. ROAD DIST. NO.	ILLINOIS	FED. AID PROJECT-			

Contract # 74233

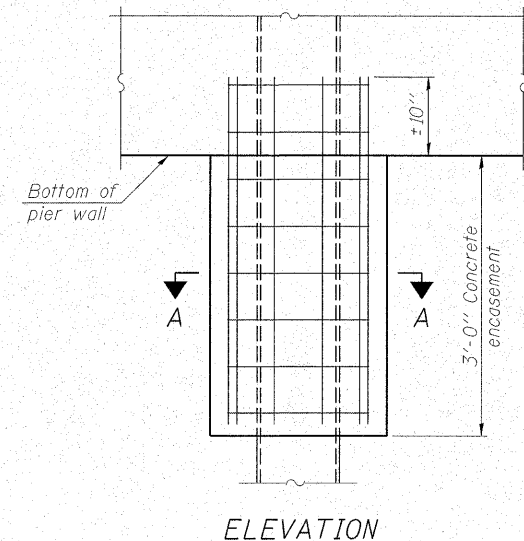
METAL SHELL PILE TABLE

Designation and outside diameter	Wall thickness t	Weight per foot (Lbs./ft.)	Inside volume (yd. ³ /ft.)
PP12	0.179"	22.60	0.0274
PP12	0.250"	31.37	0.0267
PP14	0.250"	36.71	0.0368
PP14	0.312"	45.61	0.0361



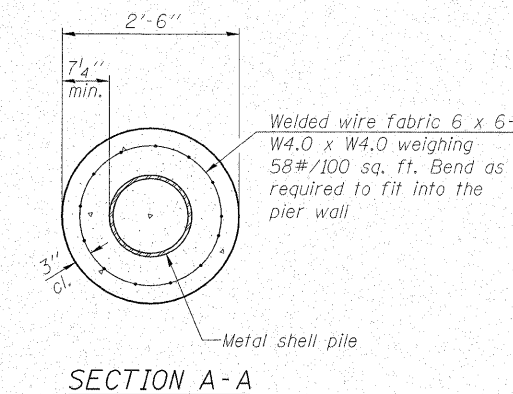
DETAIL A

WELDED COMMERCIAL SPLICE

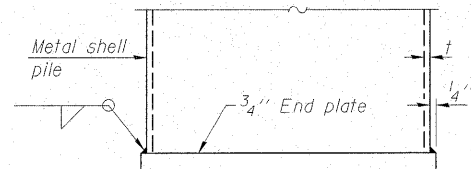


ELEVATION

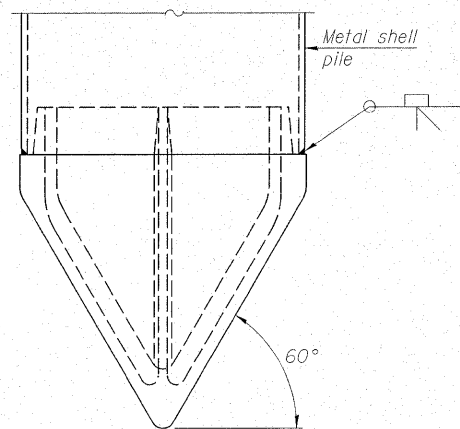
CONCRETE ENCASEMENT AT PIERS



Note:
Forms for encasement may be omitted when soil conditions permit.



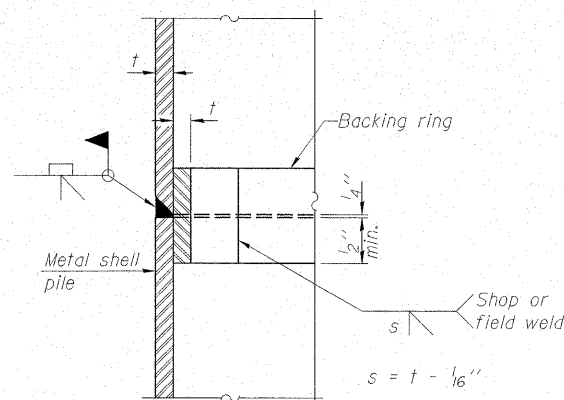
END PLATE ATTACHMENT



Note A:
When called for on the plans, the Contractor shall furnish metal shell pile shoes consisting of a single piece conical pile point as shown. The pile shoes shall be cast in one piece steel according to either ASTM A 148 Grade 90-60 or AASHTO M 103 Grade 65-35 and shall provide full bearing over the full circumference of the metal shell pile. The pile shoe shall have tapered leads to assure proper alignment and fitting and shall be secured to the pile with a circumferential weld.

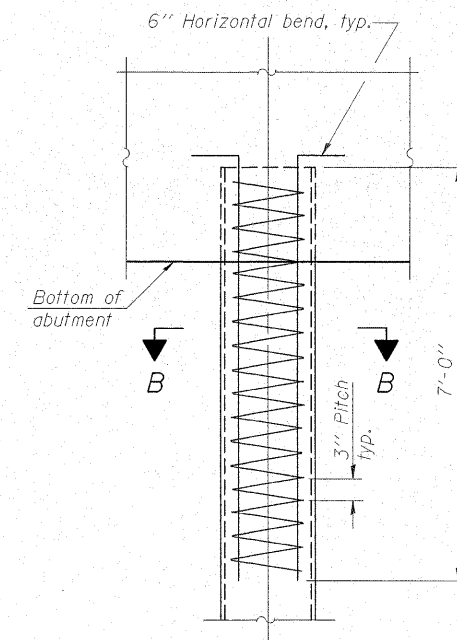
METAL SHELL PILE SHOE ATTACHMENT

(See Note A)



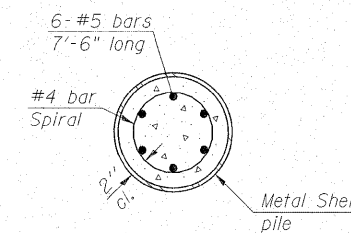
COMPLETE PENETRATION WELD SPLICE

Backing ring made from pile shell. Remove segment to allow reducing circumference and vertically rejoin with partial joint penetration weld.



ELEVATION

METAL SHELL REINFORCEMENT AT ABUTMENTS



SECTION B-B

Note:
The metal shell piles shall be according to ASTM A 252 Grade 3.

METAL SHELL PILE DETAILS
IL ROUTE 128 OVER
ROBINSON CREEK TRIBUTARY
F.A.P. RTE. 770 - SECTION (115BR)B-1
SHELBY COUNTY
STATION 408+75.45
STRUCTURE NO. 087-0031



DESIGNED - BAS
CHECKED - KEF
DRAWN - LAD
CHECKED - RJA / KEF

F-MS

9-3-07