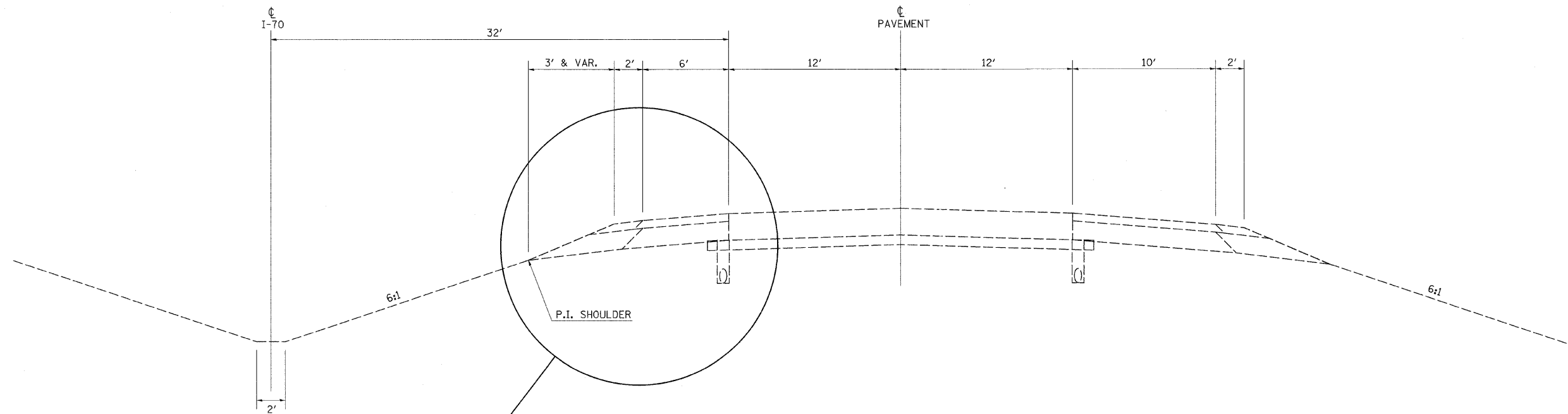


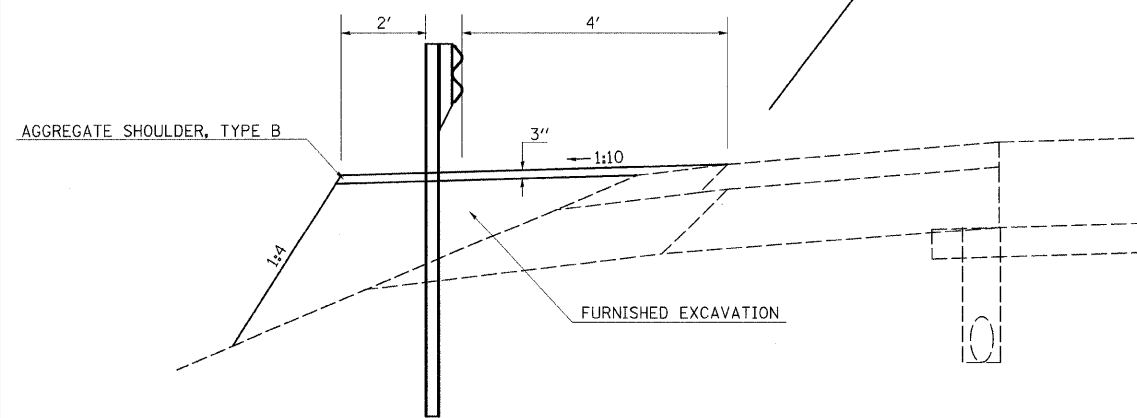
# EXISTING TYPICAL CROSS SECTION

FAI 70  
STATION 508+16 TO STATION 517+02



## DETAIL "A"

EB STA. 508+15.98 TO STA. 513+16.27  
WB STA. 511+97.59 TO STA. 517+02.29



FILE NAME =	USER NAME = swartzw	DESIGNED -	REVISED -
c:\p\work\p\dot\swartzw\dms50720\sh\typicala.74313.dgn		DRAWN -	REVISED -
	PLOT SCALE = 20.0000" / IN.	CHECKED -	REVISED -
	PLOT DATE = 1/20/2009	DATE -	REVISED -

**STATE OF ILLINOIS  
DEPARTMENT OF TRANSPORTATION**

**TYPICAL CROSS SECTIONS**

SCALE: NA SHEET NO. 1 OF 1 SHEETS STA. TO STA.

F.A.I. RTE.	SECTION	COUNTY	TOTAL SHEETS	SHEET NO.
70	D-7 SAFETY 2009-1	FAYETTE	100	4
CONTRACT NO. 74313				
FED. ROAD DIST. NO.		ILLINOIS FED. AID PROJECT		