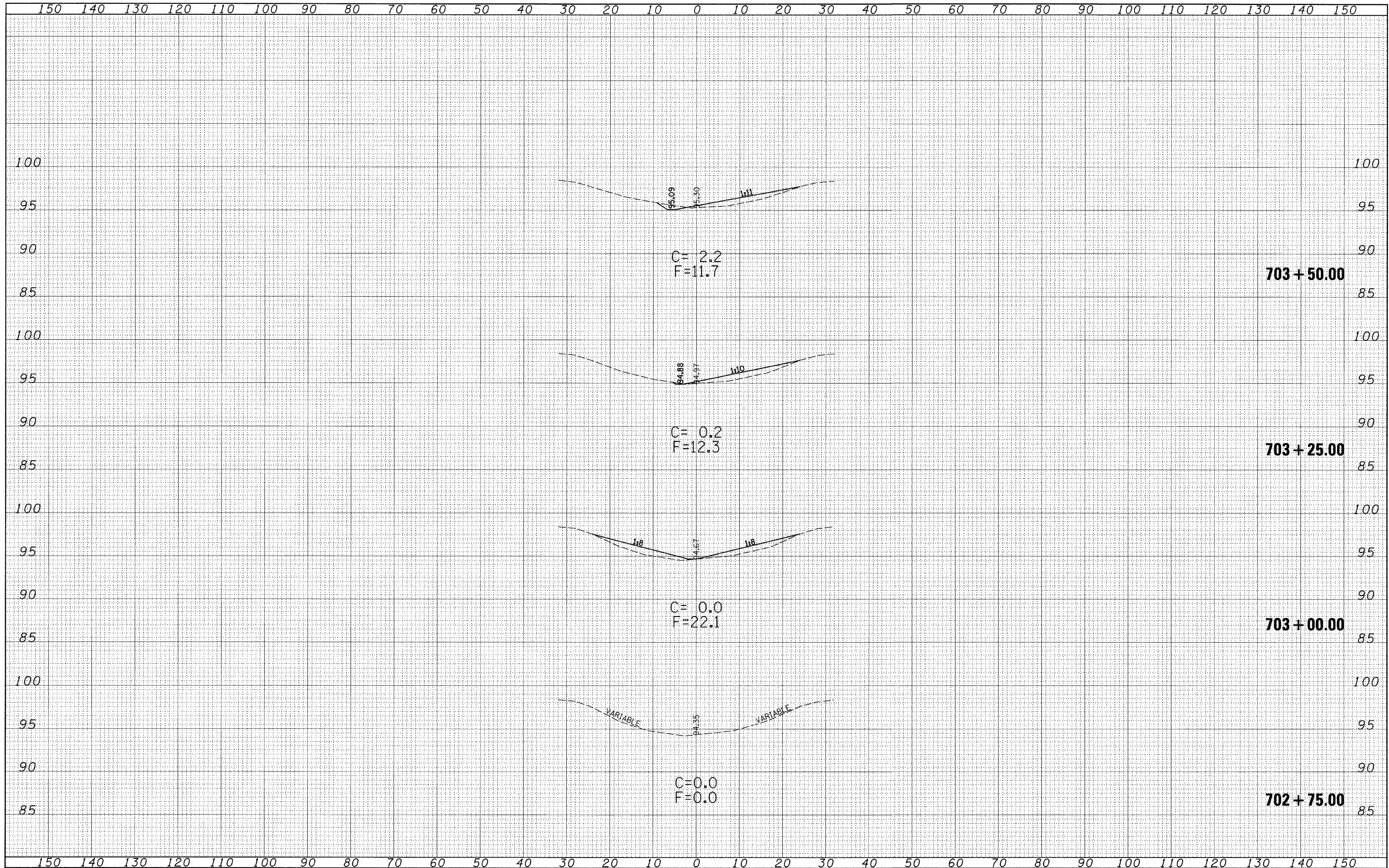


DATE	
BY	
FINAL SURVEY	
SURVEYED	
NOTE BOOK	
TEMPLATE	
AREAS CHECKED	
NO.	

DATE	
BY	
ORIGINAL SURVEY	
SURVEYED	
NOTE BOOK	
TEMPLATE	
AREAS CHECKED	
NO.	



FILE NAME =	USER NAME = davissonjl	DESIGNED - JLD	REVISED -	<b>STATE OF ILLINOIS</b> <b>DEPARTMENT OF TRANSPORTATION</b>	<b>CROSS SECTIONS</b> <b>S.N. 026-0049</b>	F.A.I. RTE.	SECTION	COUNTY	TOTAL SHEETS	SHEET NO.
c:\pwwork\PMIDOT\DAVISONJL\dms36538\se0049shp.t_74313.dgn	DRAWN - JLD	REVISED -	70			D7 SAFETY 2009-1	FAYETTE	100	38	
PLOT SCALE = 10.0000' / IN.	CHECKED -	REVISED -	CONTRACT NO. 74313							
PLOT DATE = 1/20/2009	DATE -	REVISED -	ILLINOIS FED. AID PROJECT							
SCALE: 10:5						SHEET NO. 1 OF 5 SHEETS		STA. 702+75.00 TO STA. 703+50.00		FED. ROAD DIST. NO.