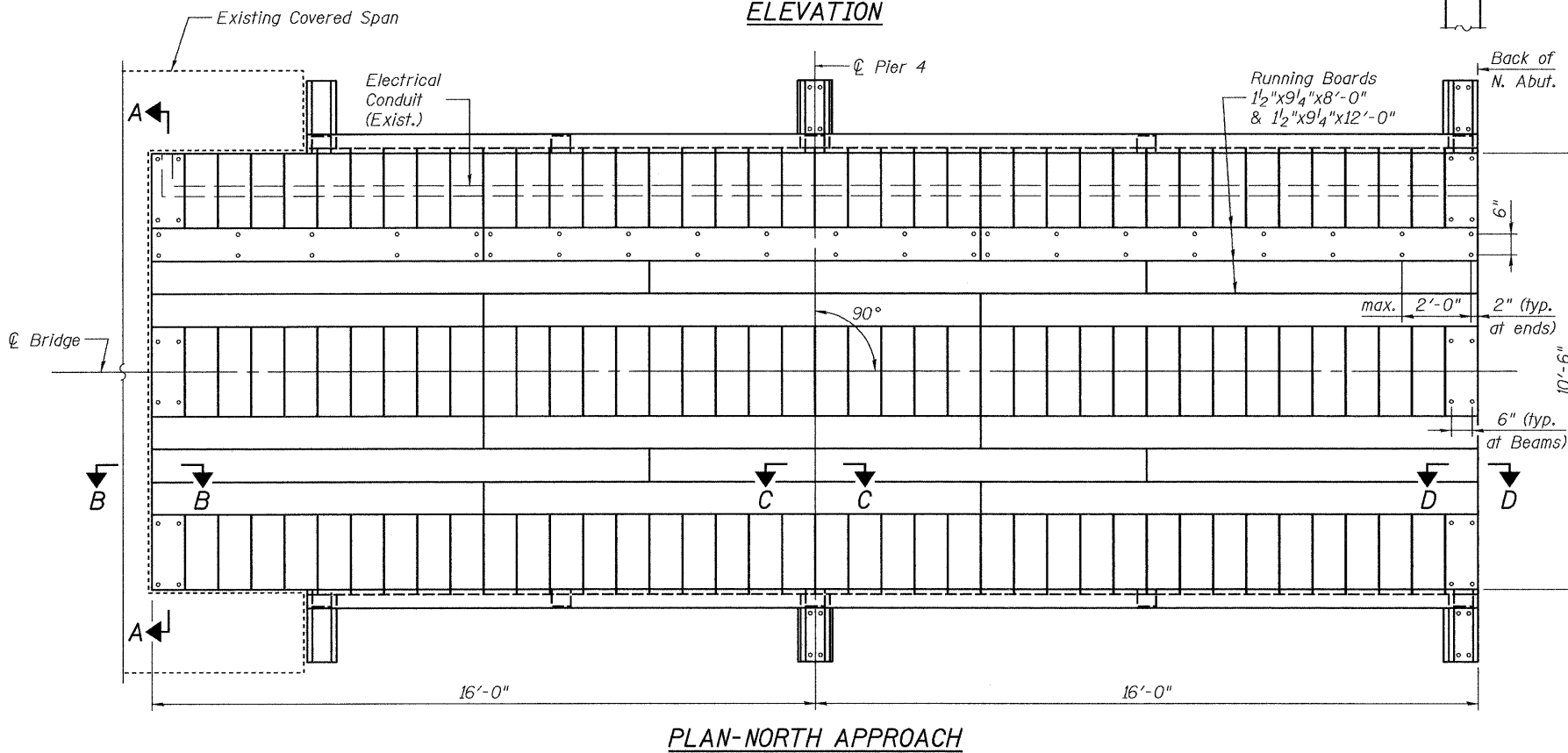
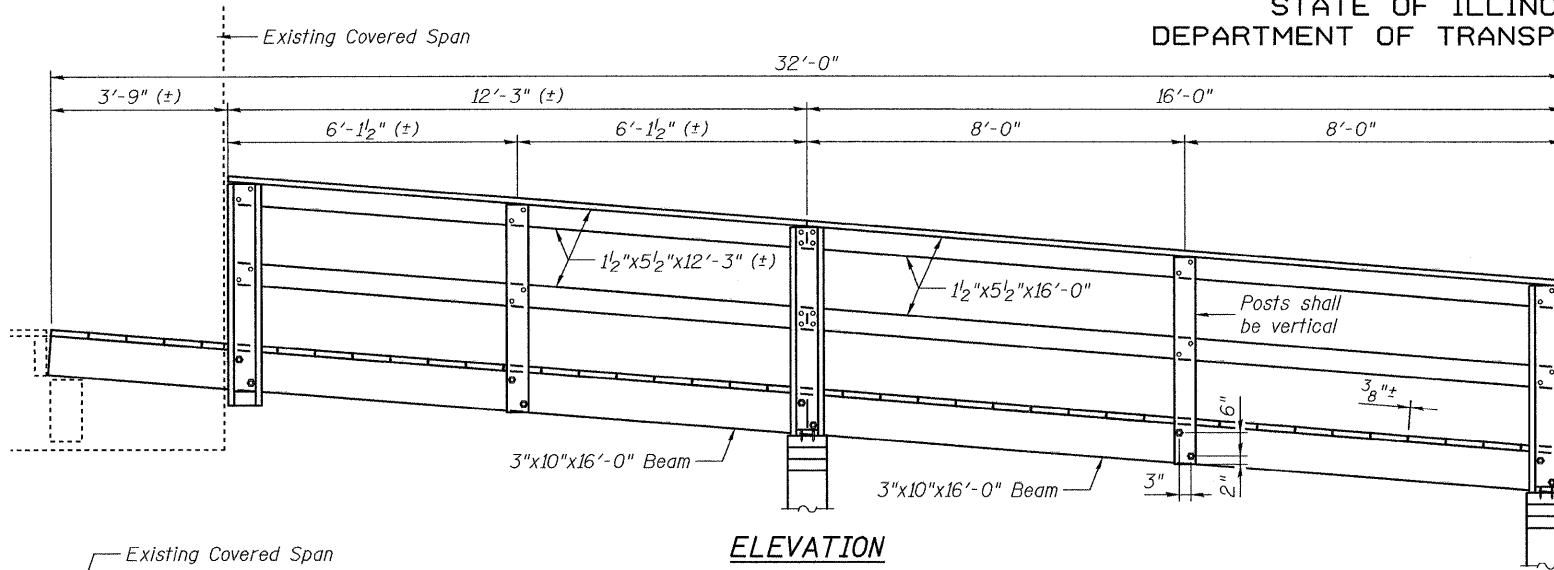


STATE OF ILLINOIS  
DEPARTMENT OF TRANSPORTATION



NOTE:  
For additional Details and Sections,  
see sheet 2 of 12.

**BILL OF MATERIAL**

Item	Unit	Total
Treated Timber	F.B.M.	1614
Hardware	Pound	58

**SUPERSTRUCTURE - NORTH APPROACH  
THOMPSON MILL COVERED BRIDGE OVER  
KASKASKIA RIVER  
STRUCTURE NO. 087-0019**



DESIGNED: JDQ DRAWN: SJS/PTR  
CHECKED: DCD CHECKED: DCD

SHEET 3 OF 12	T.R. RTE.	SECTION	COUNTY	TOTAL SHEETS	SHEET NO.
	389A	D-T Bridge Appr. 2009-1	SHELBY	14	5
	STA. 50+00		CONTRACT NO. 74337		
FED. ROAD DIST. NO.		ILLINOIS FED. AID PROJECT			

FILE: J:\JDD\101611L-D7VW4 Thompson Mill Covered Bridge\1-ThompsonMill\03superstr2.dgn  
USER: DCD  
DATE: 02/04/2009 16:38:44