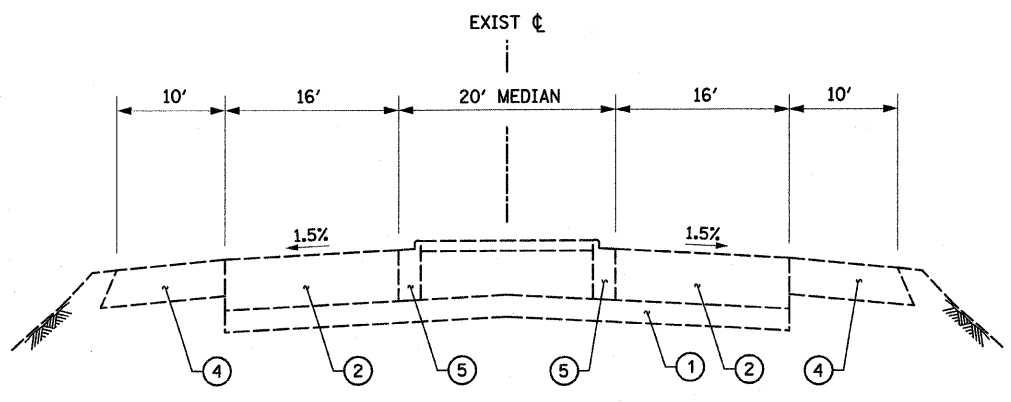
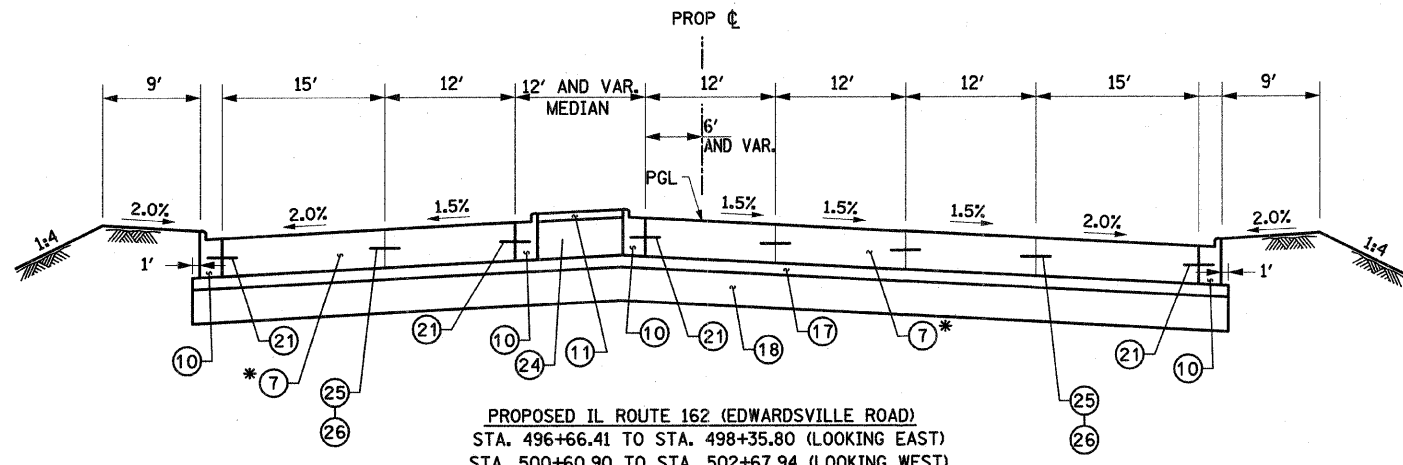


LEGEND

- ① EXISTING AGGREGATE BASE COURSE, ±4"
- ② EXISTING CONCRETE PAVEMENT, 10"-13"
- ③ EXISTING HOT-MIX ASPHALT SURFACE, ±3"
- ④ EXISTING PAVED SHOULDER, 8"-13"
- ⑤ EXISTING CURB AND GUTTER
- ⑥ EXISTING AGGREGATE SHOULDER, 6"
- ⑦ PCC PAVEMENT 10 3/4" (JOINTED) (10 3/4" WHERE NOTED)
- ⑧ HOT-MIX ASPHALT BINDER COURSE IL19, N90, 1 1/2"
- ⑨ NOT USED
- ⑩ COMBINATION CONCRETE CURB AND GUTTER
- ⑪ CONCRETE MEDIAN SURFACE, 4"
- ⑫ HOT-MIX ASPHALT SHOULDERS, 8"
- ⑬ AGGREGATE SHOULDERS, TYPE A, 6"
- ⑭ DITCH
- ⑮ HOT-MIX ASPHALT PAVEMENT (FULL-DEPTH)
- ⑯ PORTLAND CEMENT CONCRETE SHOULDERS, 10 3/4"
- ⑰ STABILIZED SUB-BASE, 4"
- ⑱ LIME MODIFIED SOIL, 12"
- ⑲ POLYMERIZED HOT-MIX ASPHALT SURFACE COURSE, MIX E, N90, 1 1/2"
- ⑳ LEVELING BINDER (MACHINE METHOD), N90, 1"
- ㉑ TIE BAR
- ㉒ STRIP REFLECTIVE CRACK CONTROL
- ㉓ PIPE UNDERDRAINS, 4"
- ㉔ AGGREGATE BASE COURSE, TYPE A, 12"
- ㉕ LONGITUDINAL SAWED JOINT #6 TIE BARS @ 30" LONG, 24" C.C. EPOXY COATED, DEFORMED INCLUDED IN JOINTED PAVEMENT 10 3/4". (SEE NOTE 4)
- ㉖ LONGITUDINAL CONSTRUCTION JOINT #8 TIE BARS @ 24" LONG, 24" C.C. EPOXY COATED, DEFORMED INCLUDED IN JOINTED PAVEMENT 10 3/4". (SEE NOTE 4)
- ㉗ AGGREGATE BASE COURSE, TYPE A, VARIABLE DEPTH



EXISTING IL ROUTE 162 (EDWARDSVILLE ROAD)
 STA 496+71.32 TO STA 498+52.36
 STA 500+44.70 TO STA 507+90.00
 (BRIDGE OMISSION STA 498+52.36 TO STA 500+44.70)
 (LOOKING EAST)



PROPOSED IL ROUTE 162 (EDWARDSVILLE ROAD)
 STA. 496+66.41 TO STA. 498+35.80 (LOOKING EAST)
 STA. 500+60.90 TO STA. 502+67.94 (LOOKING WEST)
 (BRIDGE STA. 498+65.80 TO STA. 500+30.90)

* FROM STA. 500+60.90 TO STA. 507+90 PROPOSED PCC PAVEMENT IS 10 3/4" THICK

IL 162: WIDENING (STA. 482+20 TO STA. 485+50)

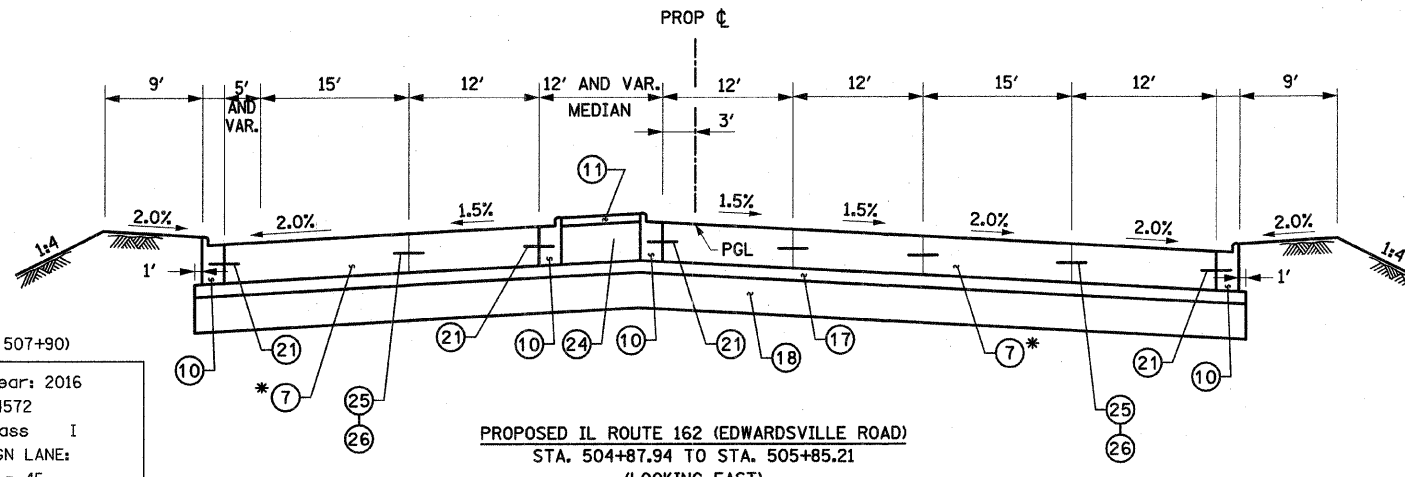
| | |
|--|--------------------------------|
| STRUCTURAL DESIGN TRAFFIC: | Year: 2016 |
| PV = 15809 | SU= 1968 MU= 2942 |
| ROAD/STREET CLASSIFICATION: | Class I |
| PERCENT OF STRUCTURAL DESIGN TRAFFIC IN DESIGN LANE: | |
| P = 50 | S = 50 M = 50 |
| TRAFFIC FACTOR: | Actual TF = 16.83 AC Type = 20 |
| | Minimum TF = 4.74 |
| PG GRADE: | Binder = 64-22 Surface = 70-22 |
| SUBGRADE SUPPORT RATING: | SSR = POOR |

IL 162: NEW CONSTRUCTION (STA. 485+50 TO STA. 498+50)

| | |
|--|---------------------------------|
| STRUCTURAL DESIGN TRAFFIC: | Year: 2016 |
| PV = 15809 | SU= 1968 MU= 2942 |
| ROAD/STREET CLASSIFICATION: | Class I |
| PERCENT OF STRUCTURAL DESIGN TRAFFIC IN DESIGN LANE: | |
| P = 32 | S = 45 M = 45 |
| TRAFFIC FACTOR: | Actual TF = 21.00 AC Type = N/A |
| | Minimum TF = 6.03 |
| PG GRADE: | Binder = N/A Surface = N/A |
| SUBGRADE SUPPORT RATING: | SSR = POOR |

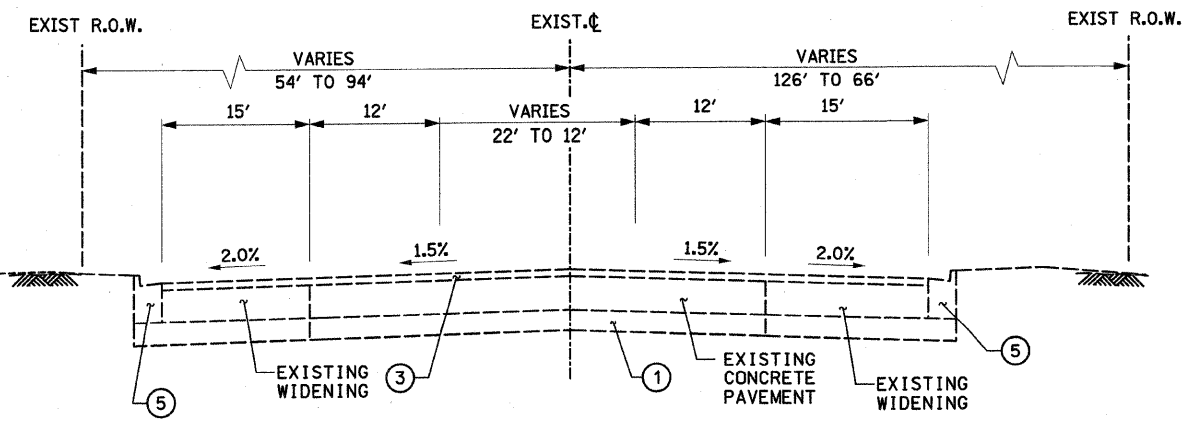
IL 162: NEW CONSTRUCTION (STA. 500+50 TO STA. 507+90)

| | |
|--|---------------------------------|
| STRUCTURAL DESIGN TRAFFIC: | Year: 2016 |
| PV = 24569 | SU= 3059 MU= 4572 |
| ROAD/STREET CLASSIFICATION: | Class I |
| PERCENT OF STRUCTURAL DESIGN TRAFFIC IN DESIGN LANE: | |
| P = 32 | S = 45 M = 45 |
| TRAFFIC FACTOR: | Actual TF = 32.64 AC Type = N/A |
| | Minimum TF = 6.03 |
| PG GRADE: | Binder = N/A Surface = N/A |
| SUBGRADE SUPPORT RATING: | SSR = POOR |

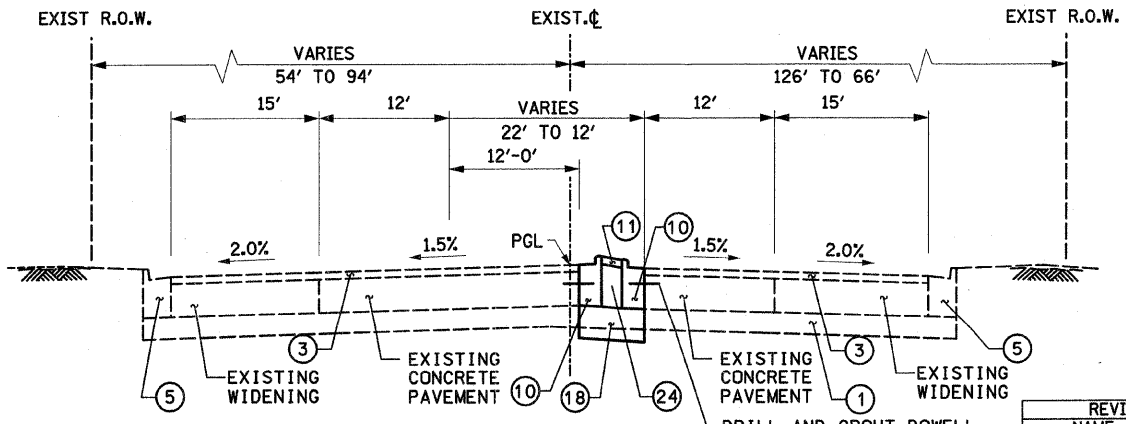


PROPOSED IL ROUTE 162 (EDWARDSVILLE ROAD)
 STA. 504+87.94 TO STA. 505+85.21
 (LOOKING EAST)

* FROM STA. 500+60.90 TO STA. 507+90 PROPOSED PCC PAVEMENT IS 10 3/4" THICK.



EXISTING IL ROUTE 162 (EDWARDSVILLE ROAD)
 STA 507+90.00 TO STA 514+49.11
 (LOOKING EAST)



PROPOSED IL ROUTE 162 (EDWARDSVILLE ROAD)
 STA. 507+90 TO STA. 514+49.11
 (LOOKING EAST)

NOTES:

- 1. GAPS IN PROPOSED TYPICAL SECTIONS STATIONING REFLECT TRANSITION AREAS OR INTERSECTION OMISSIONS. FOR MORE INFORMATION, SEE PLANS.
- 2. FOR MORE INFORMATION ON RIGHT TURN LANE LOCATION, SEE PROPOSED PLANS.
- 3. FOR COMBINATION CURB AND GUTTER TYPES, SEE PROPOSED PLANS.
- 4. INCLUDED IN JOINTED PAVEMENT 10 3/4" FROM STA 500+60.90 TO STA. 507+90.

| REVISIONS | |
|-----------|------|
| NAME | DATE |
| | |
| | |
| | |

ILLINOIS DEPARTMENT OF TRANSPORTATION
**EXISTING AND PROPOSED
 TYPICAL SECTIONS-IL RTE 162**

FAI ROUTE 70
 SECTION 60-10K-1, 60-10HB
 MADISON COUNTY

DRAWN BY: GRH
 PLOT DATE: *DATE-TIME*

DATE: _____ BY: _____
 SURVEYED: _____
 ALIGNED: _____
 CHECKED: _____
 NO. OF WAYS CHECKED: _____
 PLAN NO.: _____