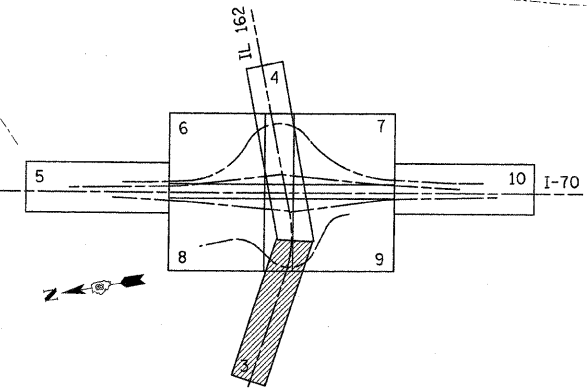
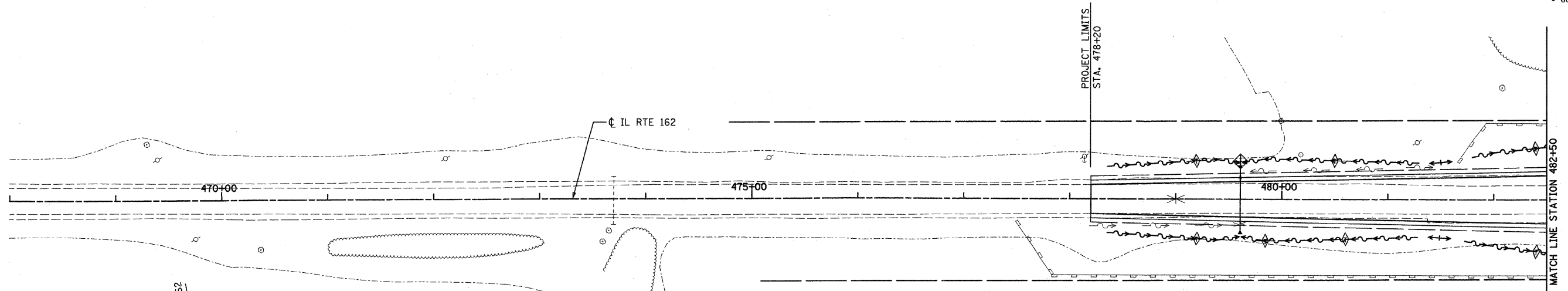
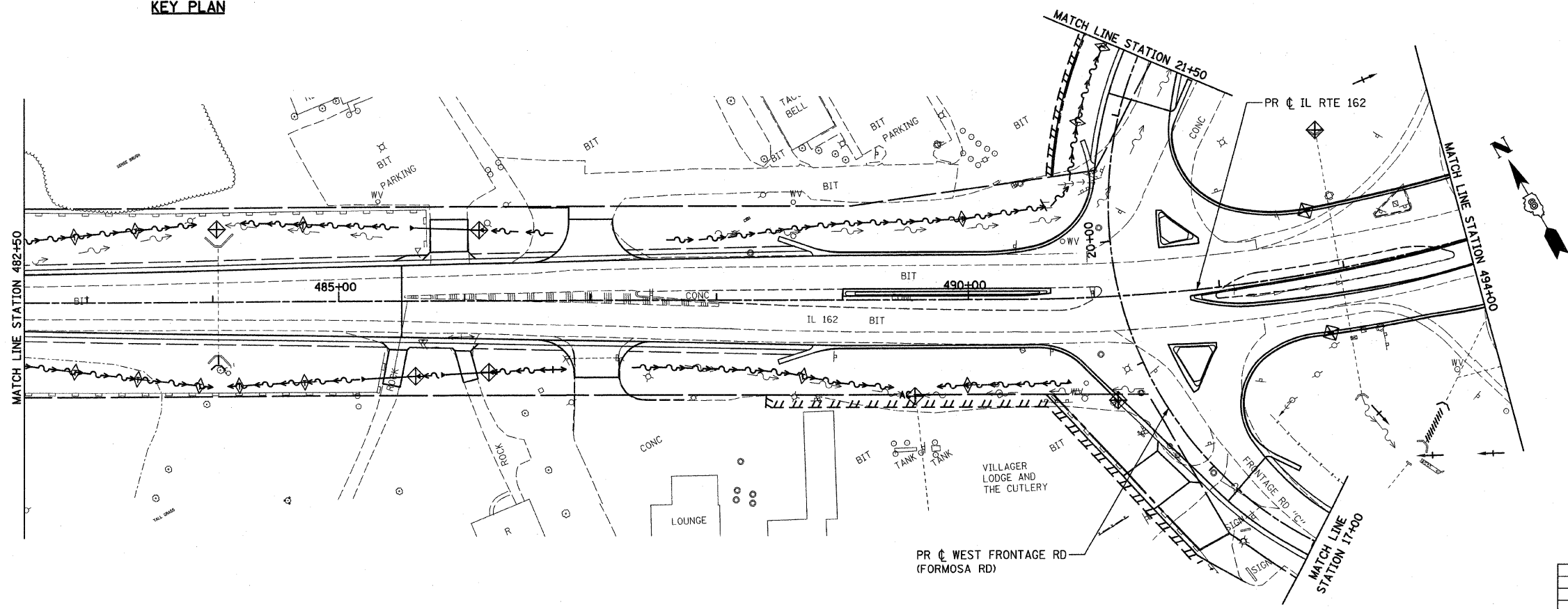


PLAN	DATE
NO.	
BY	
DATE	
NO.	
BY	
DATE	
NO.	
BY	
DATE	
NO.	

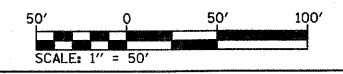


KEY PLAN



- LEGEND**
- TEMPORARY DITCH CHECK
 - EROSION CONTROL BLANKET
 - PERIMETER EROSION BARRIER
 - INLET AND PIPE PROTECTION

- NOTES:**
1. FOR DRAINAGE INFORMATION, SEE DRAINAGE PLANS.
 2. PERIMETER EROSION BARRIER IS LOCATED ON TEMPORARY EASEMENT/PERMANENT EASEMENT/R.O.W. LINE, AS SHOWN ON THE PLANS.
 3. FOR PERMANENT EROSION CONTROL INFORMATION, SEE SEEDING PLANS.
 4. FOR EROSION CONTROL DURING STAGED CONSTRUCTION, SEE EROSION CONTROL AND TEMPORARY DRAINAGE PLAN.



REVISIONS	
NAME	DATE

ILLINOIS DEPARTMENT OF TRANSPORTATION
STORM WATER POLLUTION PREVENTION PLAN - 3

FAI ROUTE 70
 SECTION 60-10K-1, 60-10HB
 MADISON COUNTY

DRAWN BY: GRH

PLOT DATE: *DATE-TIME*

DGN-SPEC
 *REF- 2350001.dgn
 *REF- 2350001.dgn
 *REF- 2350001.dgn
 *REF- 2350001.dgn
 *REF- 2350001.dgn
 *REF- 2350001.dgn