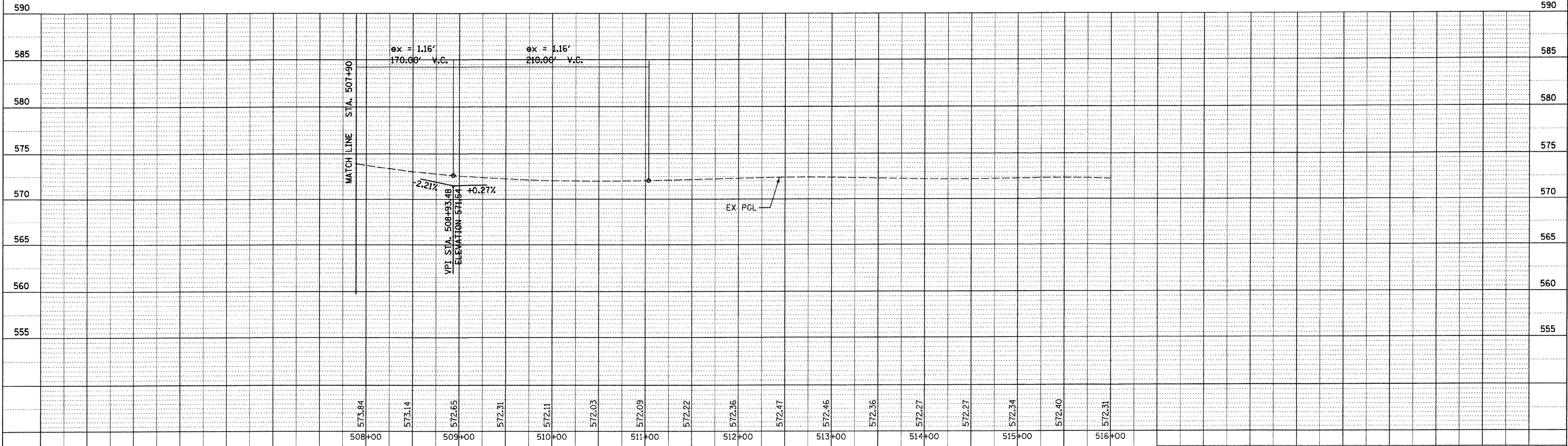
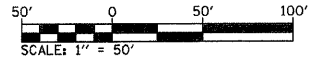
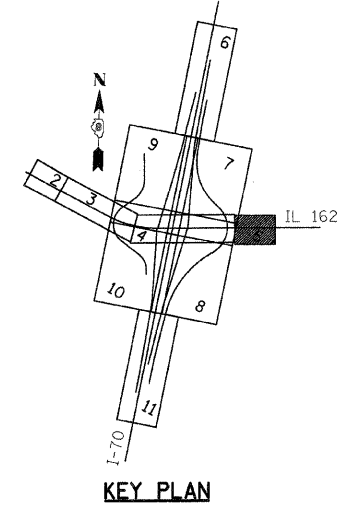
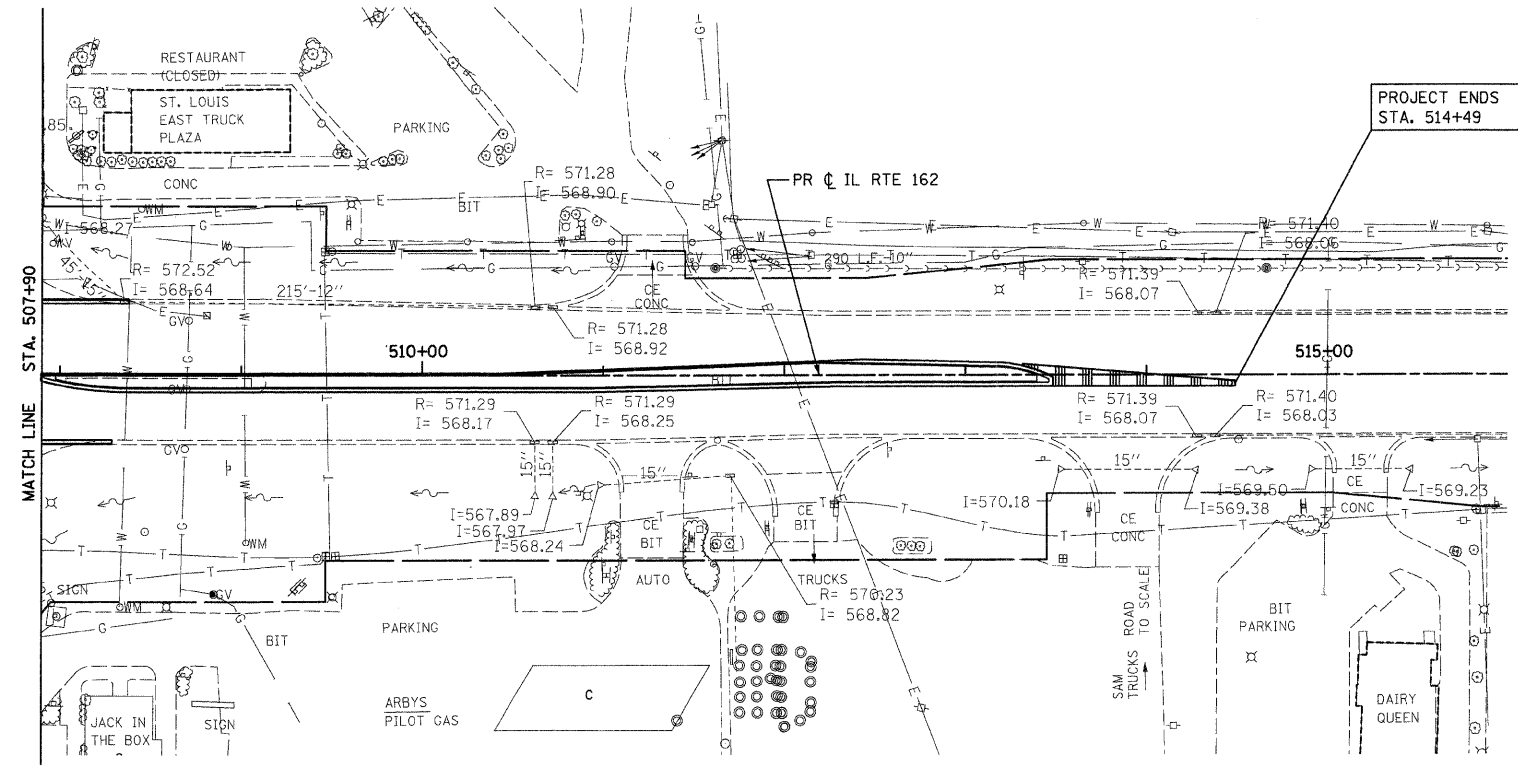


FBI ROUTE	SECTION	COUNTY	TOTAL SHEETS	SHEET NO.
70		MADISON	420	108
STA. 507+90		TO STA. 516+00		
CONTRACT NO. 76709				
• 60-10K, 60-10-4HB				

PLAN	SURVEYED	BY	DATE
	ALIGNED		
	NOT CHECKED		
	PL. OF WAY CHECKED		
	NO.		
	CADD FILE NAME		

PROFILE	SURVEYED	BY	DATE
	GRADES CHECKED		
	EL. NOTED		
	STRUCTURE NOTATIONS CHECKED		
	NO.		



PROPOSED DRAINAGE PLAN - 5

\*DATE-TIME\*  
 \*JOB-SPEC\*  
 \*REF- 236ca10.dgn  
 \*REF- 236ca01.dgn  
 \*REF- 236ca10.dgn  
 \*REF- 236ca01.dgn  
 \*REF- 236ca10.dgn  
 \*REF- 236ca01.dgn