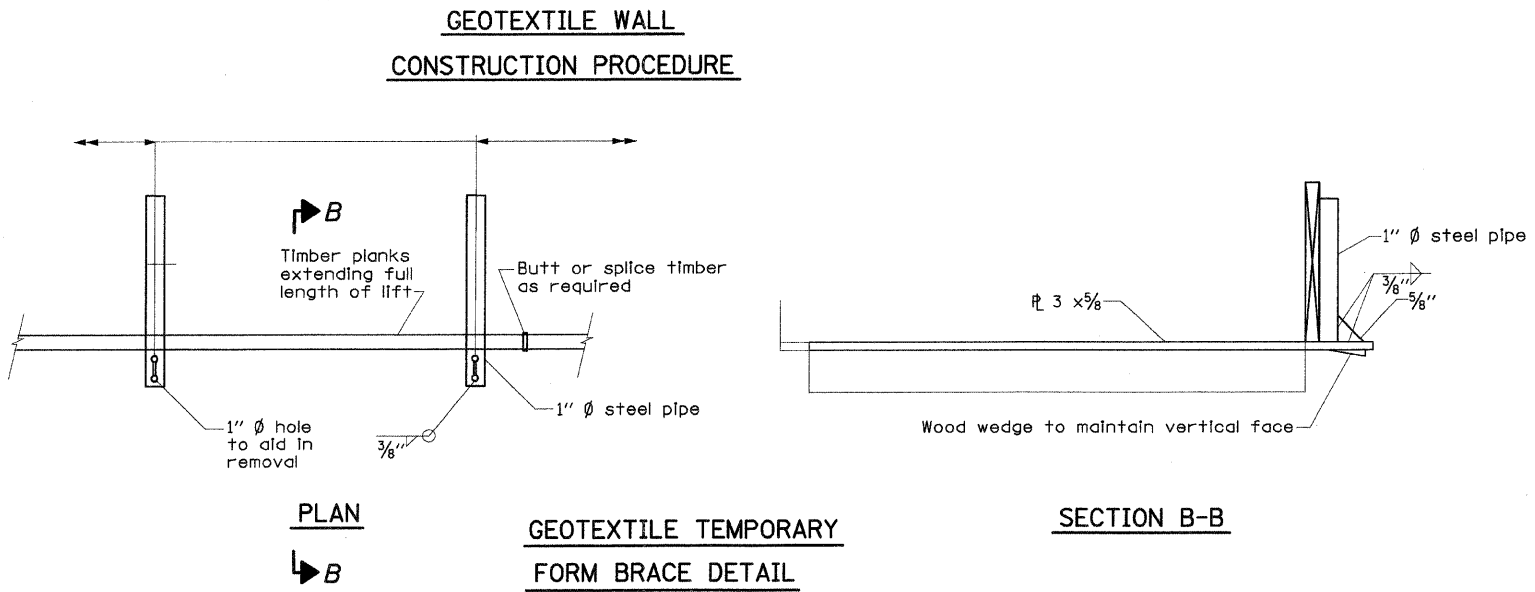
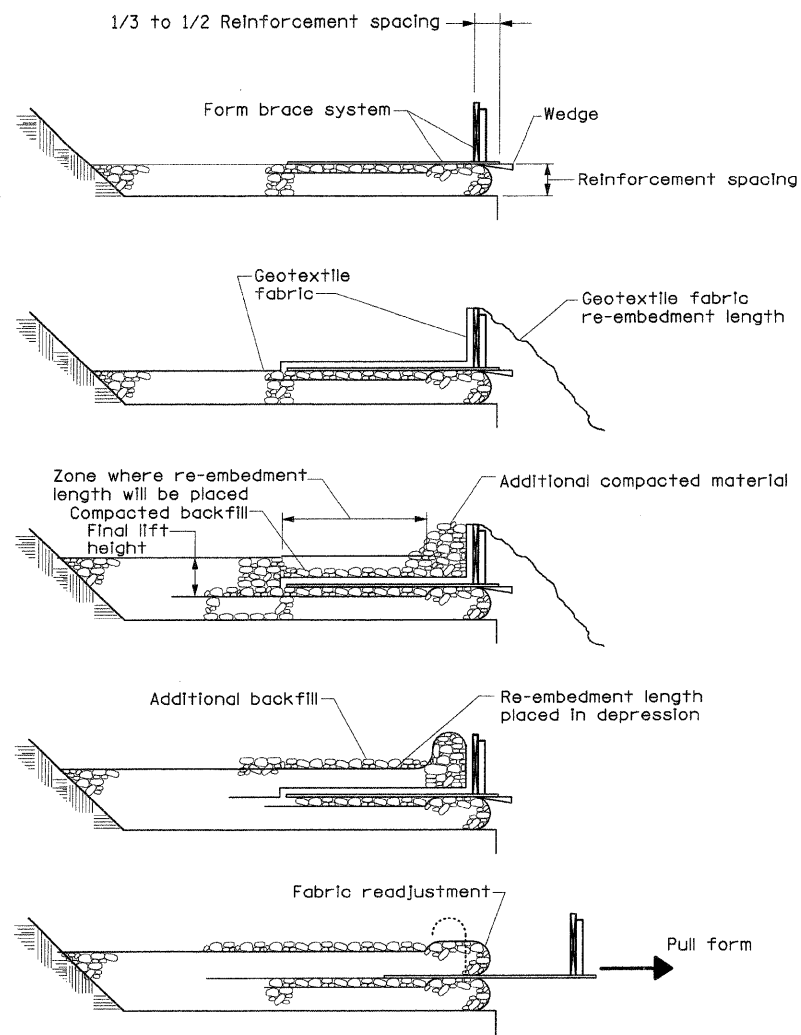
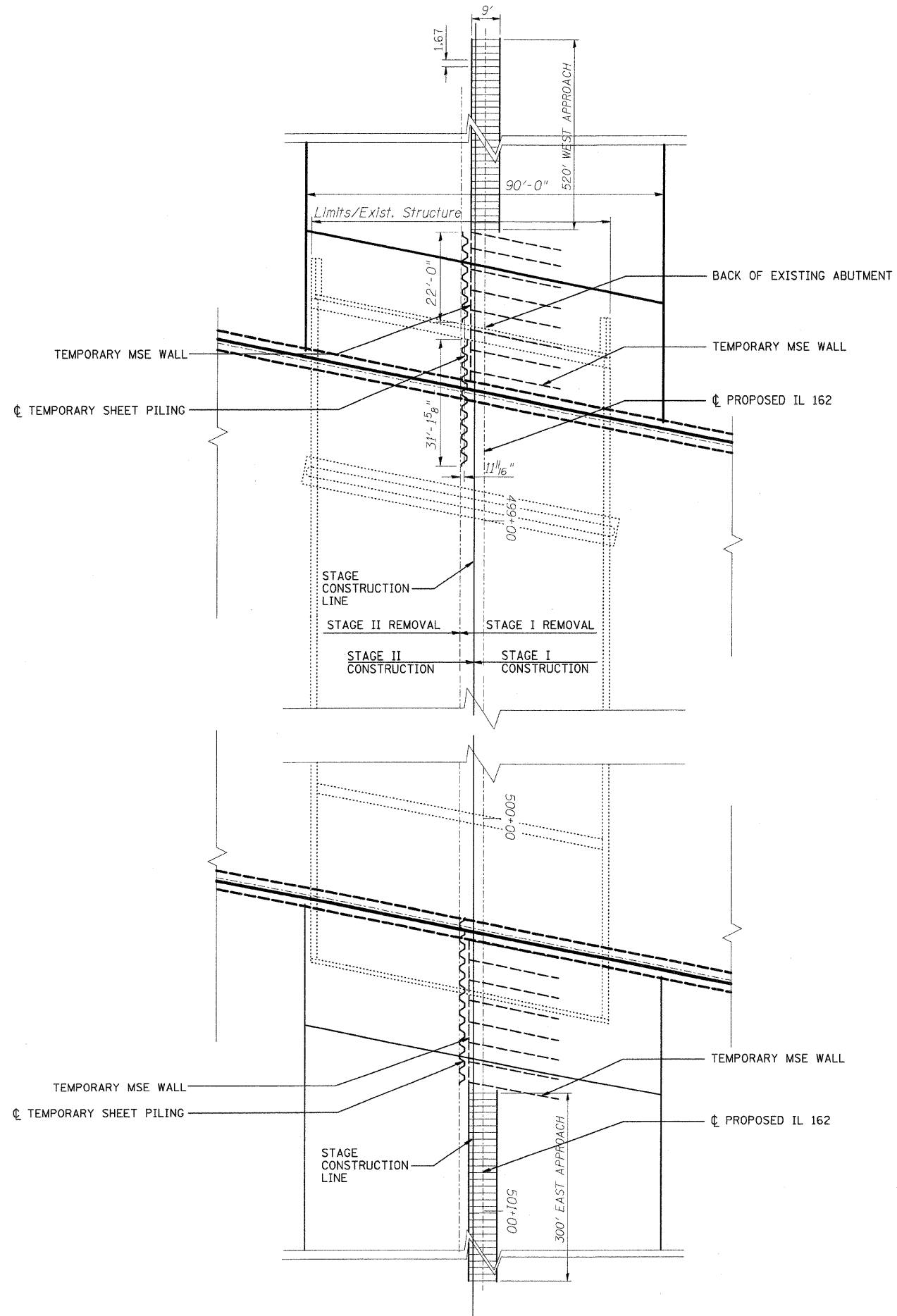


MAP ROUTE	SECTION	COUNTY	TOTAL SHEETS	SHEET NO
70	*	MADISON	420	151
STAL.		TO STA.		
CONTRACT NO.: 76709				

• 60-10K, 60-10HB

DATE	BY
DATE	BY
DATE	BY



REVISIONS	
NAME	DATE

ILLINOIS DEPARTMENT OF TRANSPORTATION
GEOTEXTILE RETAINING WALL DETAIL

FAI ROUTE 70
 SECTION 60-10K-1, 60-10HB
 MADISON COUNTY

DRAWN BY: BTO