

FAI ROUTE	SECTION	COUNTY	TOTAL SHEETS	SHEET NO.
70	*	MADISON	420	157
STA.		TO STA.		
CONTRACT NO.: 76790				
• 60-10K-1, 60-10HB				

**GENERAL NOTES**

SHOP PLANS FOR THE REINFORCEMENT SHALL BE SUBMITTED IN ACCORDANCE WITH THE REQUIREMENTS OF ARTICLE 504.04 (A) OF THE STANDARD SPECIFICATIONS.

MINIMUM CONCRETE STRENGTH SHALL BE 5000 PSI AFTER 28 DAYS.

THE JOINTS OF THE PRECAST BOX SECTIONS SHALL BE SEALED WITH MASTIC IN ACCORDANCE WITH ARTICLE 755.01 OF THE STANDARD SPECIFICATIONS FOR ROAD AND BRIDGE CONSTRUCTION.

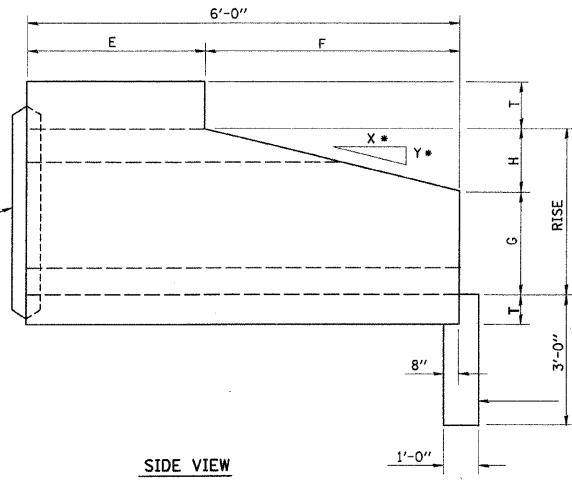
THE TERMS AS1, AS2, AS3 AND AS4 DENOTES THE REQUIRED STEEL AREAS FOR REINFORCEMENTS AS SPECIFIED IN ASTM C 789. REINFORCEMENT SHALL BE WELDED WIRE FABRIC CONFORMING TO ASTM SPECIFICATIONS A 185.

**DETAIL OF PRECAST CONCRETE BOX CULVERT END SECTION**

SPAN X RISE	T (INCHES)	A (FT-IN)	B (FT-IN)	C (INCHES)	E (FT-IN)	F (FT-IN)	G (FT-IN)	H (FT-IN)	SLOPE (X:Y)
5' X 2'	6	6-0	3-0	6	3-0	3-0	1-0	1-0	3:1
6' X 4'	7	7-2	5-2	7	2-0	4-0	2-0	2-0	2:1

PLAN	SURVEYED	BY	DATE
	ALIGNED		
	NOTED		
	FILED		

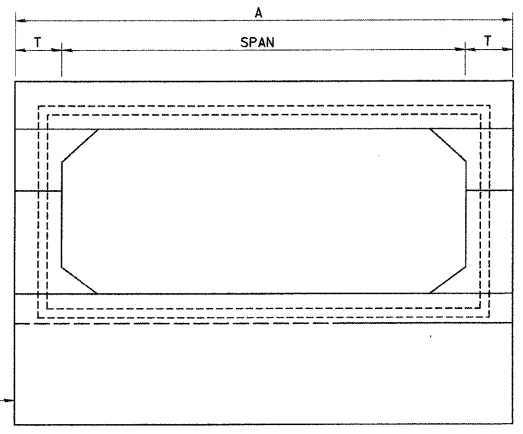
END CONNECTION TO FIT PRECAST BOX CULVERT (BELL OR SPIGOT MAY BE OMITTED WHEN COLLARING TO AN EXISTING BOX TO HEADWALL)



**SIDE VIEW**

• 2:1 SLOPE MINIMUM

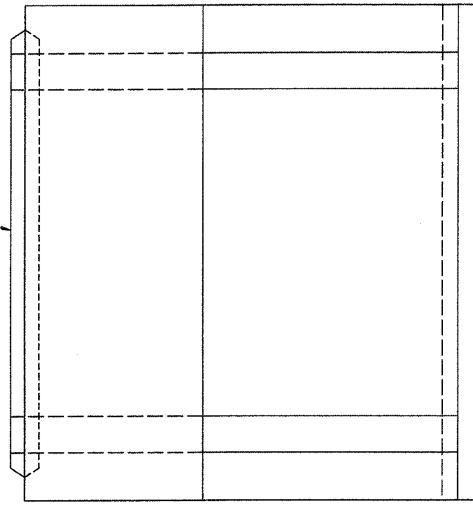
PRECAST OR FIELD Poured TOEWALL



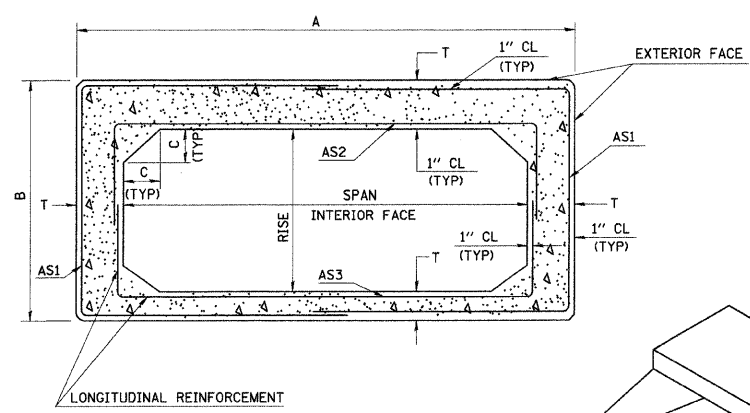
**END VIEW**

• NOTE: THE DIMENSIONS INDICATED ARE FOR END SECTIONS THAT ARE TO BE USED WITH PRECAST BOX CULVERT SECTIONS DESIGNED FOR 2' OR MORE OF FILL. THE DIMENSIONS MUST BE MODIFIED FOR THE END SECTION TO BE COMPATIBLE WITH PRECAST CULVERT SECTIONS DESIGNED FOR LESS THAN 2' OF FILL.

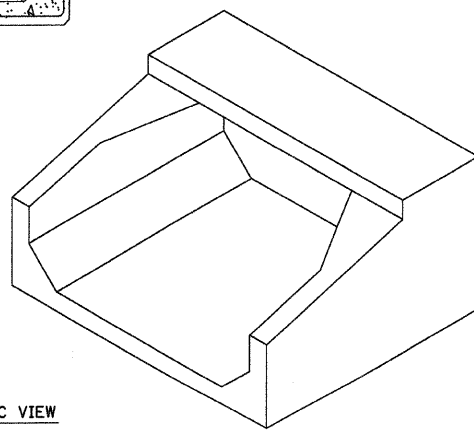
END CONNECTION TO FIT PRECAST BOX CULVERT (BELL OR SPIGOT MAY BE OMITTED WHEN COLLARING TO AN EXISTING BOX TO HEADWALL)



**PLAN**



**CROSS-SECTION**



**ISOMETRIC VIEW**

REVISIONS	
NAME	DATE

ILLINOIS DEPARTMENT OF TRANSPORTATION  
**PRECAST CONCRETE BOX CULVERT END SECTION**  
 FAI ROUTE 70  
 SECTION 60-10K-1, 60-10HB  
 MADISON COUNTY  
 DRAWN BY:  
 PLOT DATE: \*DATE-TIME\*

NOT TO SCALE

\*DATE-TIME\*  
 \*DIR-SPEC\*  
 \*REF\*