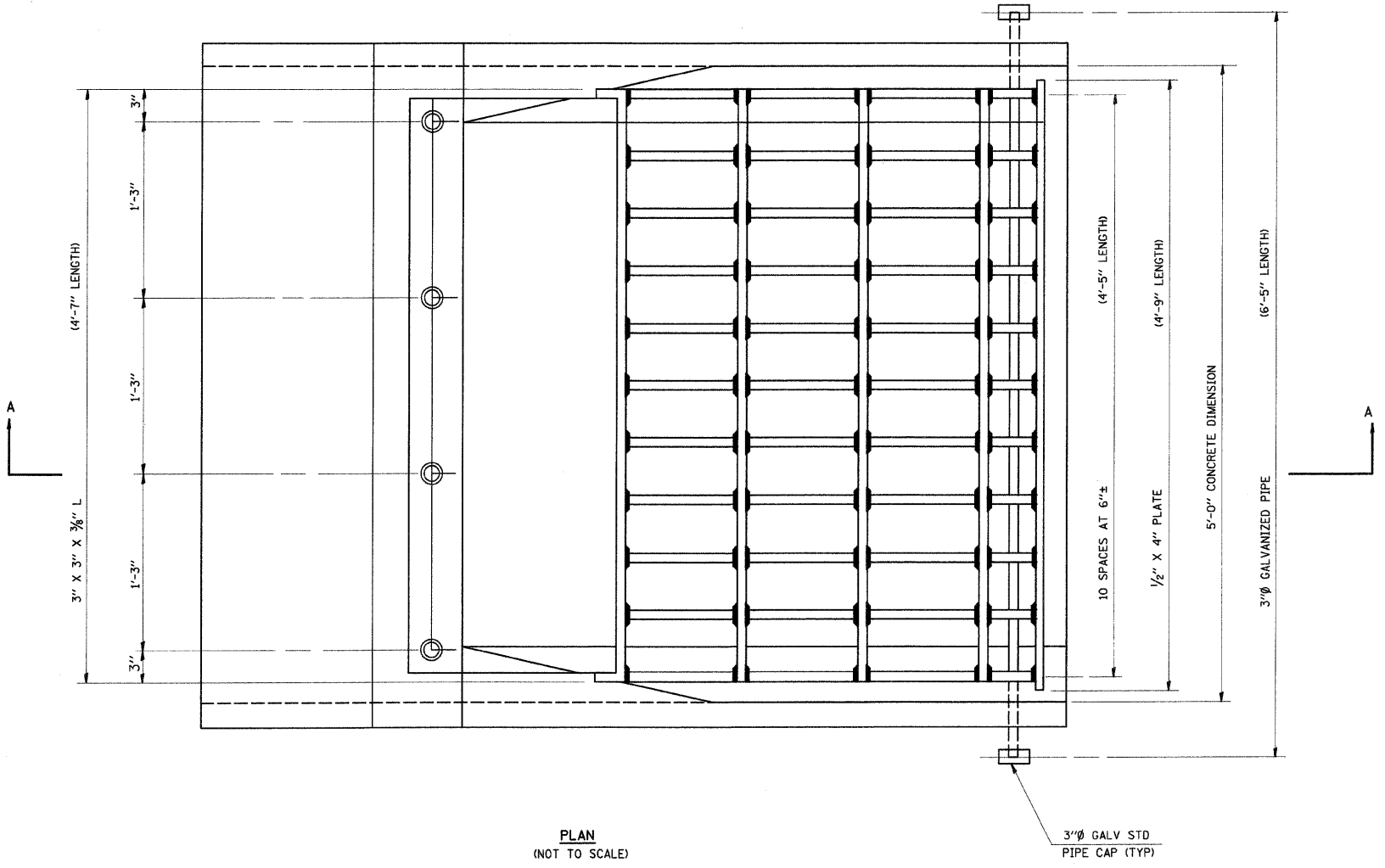
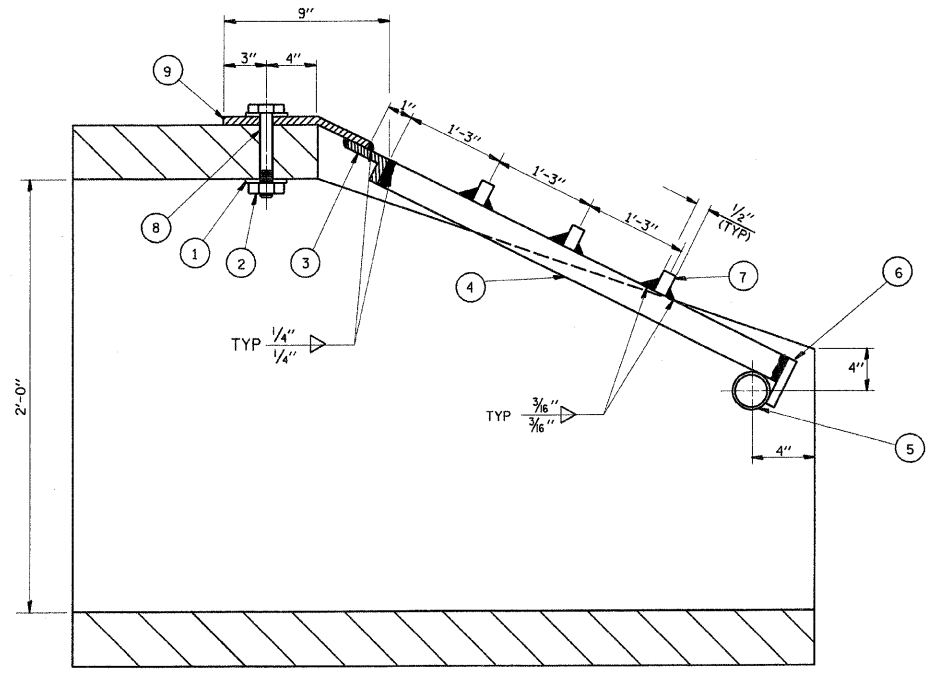


FAI ROUTE	SECTION	COUNTY	TOTAL SHEETS	SHEET NO
70	*	MADISON	420	160
STA. _____		TO STA. _____		
CONTRACT NO.: 76790				
• 60-10K-1, 60-10HB				

## GRATING FOR PRECAST CONCRETE BOX CULVERT END SECTION 5' X 2'



**PLAN**  
(NOT TO SCALE)



**SECTION A-A**  
(NOT TO SCALE)

- LEGEND**
- ① 1/4" x 4" x 4" PLATE WASHER; 1 1/6" HOLE
  - ② 1" Ø BOLT WITH FLAT WASHER AND HEX NUT
  - ③ L 3" x 3" x 3/8"
  - ④ 1/2" x 3" BAR (TYP)
  - ⑤ PROVIDE 3, 3/4" Ø HOLE THRU CONCRETE
  - ⑥ 1/2" x 4" BAR
  - ⑦ BARS 1/2" x 3/8" (TYP)
  - ⑧ 1/8" Ø HOLE THRU 3/8" PLATE; 1/4" Ø HOLE THRU CONCRETE
  - ⑨ 3/8" PLATE SHALL CONFORM TO SURFACE SHAPE OF CONCRETE END SECTION

- GENERAL NOTES**
1. STRUCTURAL STEEL SHAPES AND PLATES SHALL BE IN ACCORDANCE WITH ARTICLE 706.04 OF THE STANDARD SPECIFICATIONS AND SHALL BE GALVANIZED IN ACCORDANCE WITH AASHTO M-111.
  2. GALVANIZED STEEL PIPE SHALL BE IN ACCORDANCE WITH ARTICLE 706.27(B) OF THE STANDARD SPECIFICATIONS AND SHALL MEET THE REQUIREMENTS OF ASTM A-53, GRADE B.
  3. BOLTS, NUTS AND WASHERS SHALL BE IN ACCORDANCE WITH ARTICLE 706.27(F) OF THE STANDARD SPECIFICATIONS AND SHALL BE GALVANIZED IN ACCORDANCE WITH AASHTO M-232.
  4. ALL FABRICATION SHALL BE COMPLETE AND READY FOR ASSEMBLY BEFORE GALVANIZING.
  5. THE CORED HOLES IN THE CONCRETE END SECTIONS SHALL BE TO THE DIAMETERS NOTED. IF CONE-OUT ON THE OTHER END OF THE HOLE OCCURS THE HOLE SHALL BE FILLED WITH GROUT TO CORRECT DIAMETER OF THE HOLE.
  6. THE CONTRACT UNIT PRICE "EACH" FOR GRATING FOR CONCRETE END SECTION OF THE SIZE INDICATED SHALL INCLUDE FABRICATION AND INSTALLATION OF THE GRATING AS DETAILED HEREON, INCLUDING FABRICATION OF NECESSARY MOUNTING HOLE IN THE SECTION.

REVISIONS	
NAME	DATE

ILLINOIS DEPARTMENT OF TRANSPORTATION  
**GRATING FOR PRECAST  
 CONCRETE BOX CULVERT  
 END SECTION 5' X 2'**  
 FAI ROUTE 70  
 SECTION 60-10K-1, 60-10HB  
 MADISON COUNTY

DRAWN BY: \_\_\_\_\_  
 PLOT DATE: \*DATE-TIME\*

PLAN	SURVEYED	BY	DATE
NOTE BOOK	ALIGNED		
NO.	FILE NAME		