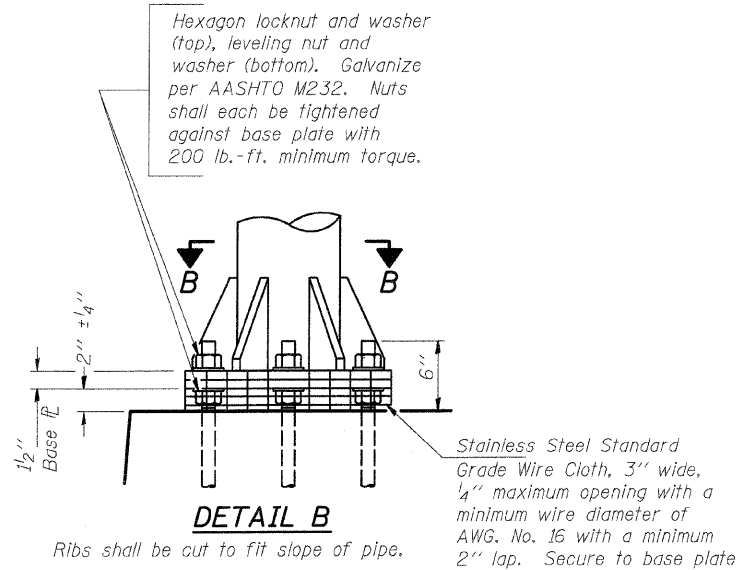


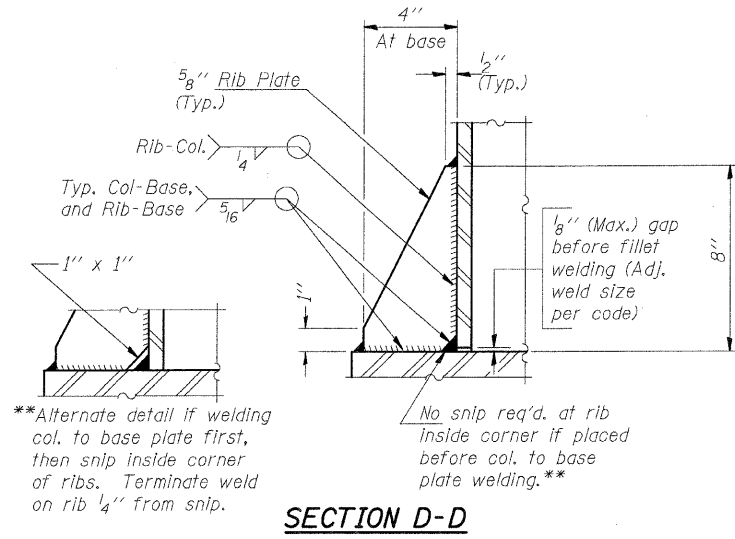
STATE OF ILLINOIS
DEPARTMENT OF TRANSPORTATION

ROUTE NO.	SECTION	COUNTY	TOTAL SHEETS	SHEET NO.	SHEET NO.
70	*	MADISON	420	172	- SHEETS
FED. ROAD DIST. NO. 8		ILLINOIS		FED. AID PROJECT-	

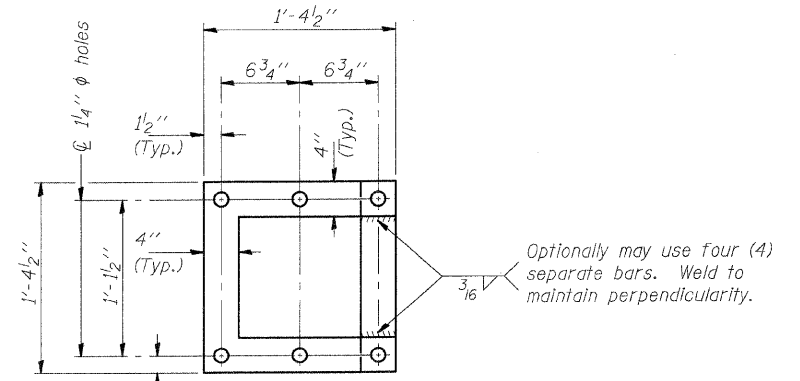
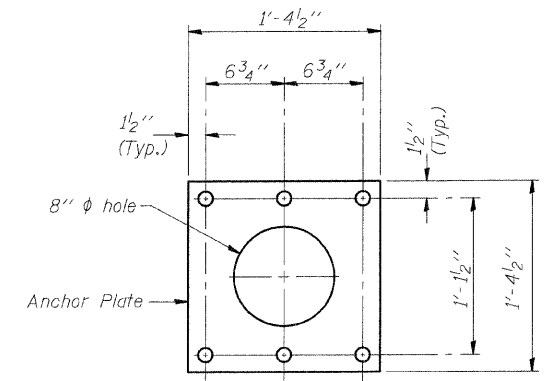
• 60-10K-1, 60-10HB



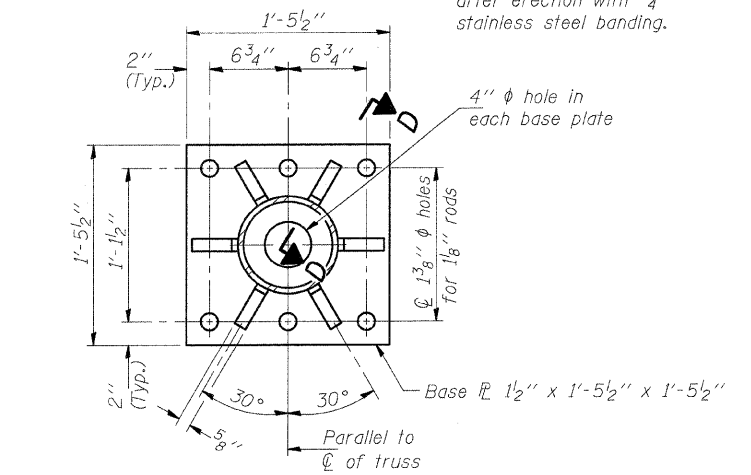
DETAIL B



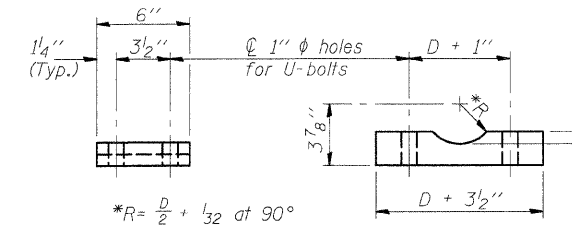
SECTION D-D



POSITIONING PLATE(S)



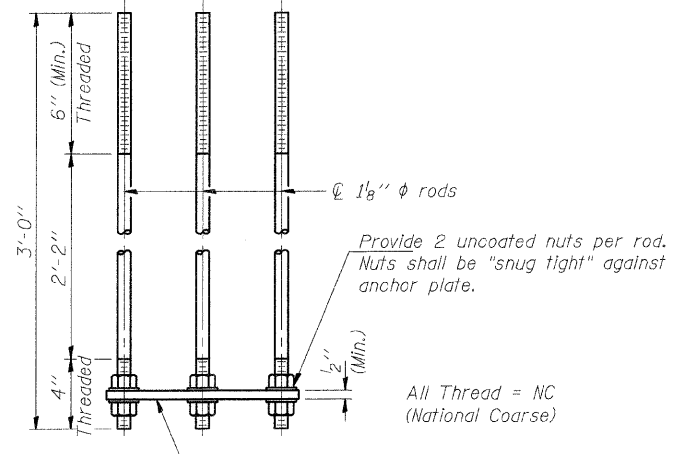
SECTION B-B



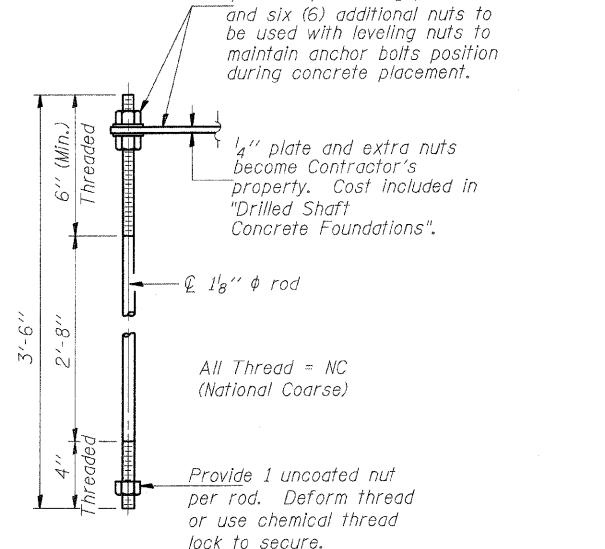
SADDLE SHIM DETAIL

ASTM B26 Alloy 356-F
or
ASTM B209 Alloy 6061-T651
(4 required per sign truss)

Truss Chord Nominal Dia.	a
5"	3/4"
5 1/2"	13/16"
6"	7/8"
6 1/2"	15/16"

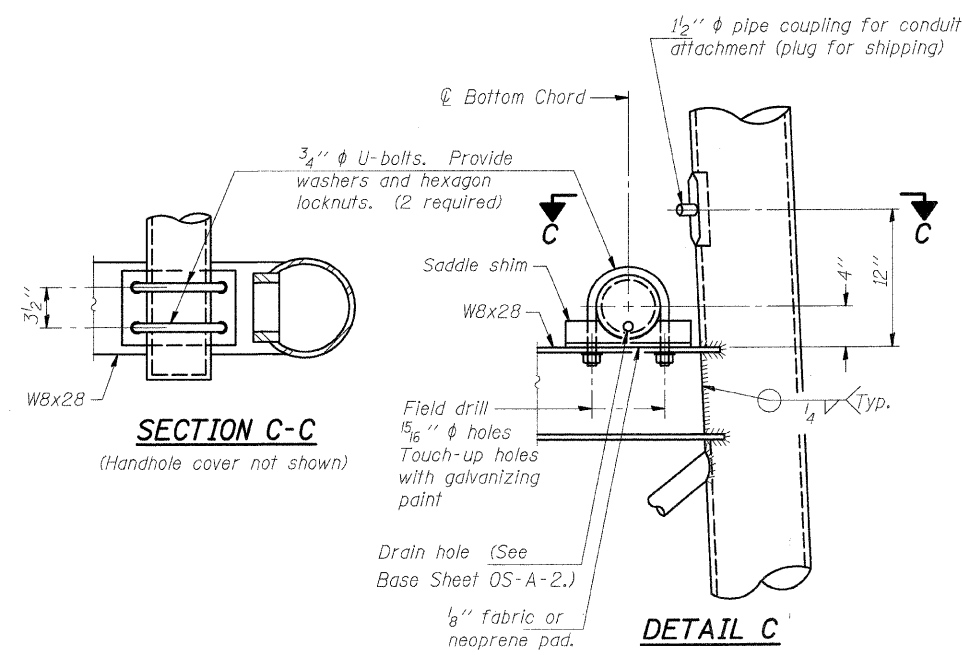


**ANCHOR ROD DETAIL
Spread Footing Foundation**



**ANCHOR ROD DETAIL
Drilled Shaft Foundation**

Anchor rods shall conform to AASHTO M314 Grade 36 or 55 and meet Charpy V-Notch (CVN) energy of 15 lb.-ft. at 40° F. Galvanize upper 12" per AASHTO M232. No welding shall be permitted on rods.



DETAIL C

**TYPE I-A TRUSS
8" PIPE SUPPORT FRAME DETAILS**

NUMBER	REVISION	DATE

DESIGNED - BTO	20
CHECKED - JAN	EXAMINED
DRAWN - BTO	ENGINEER OF STRUCTURAL SERVICES
CHECKED - JAN	PASSED
	ENGINEER OF BRIDGES AND STRUCTURES

**OVERHEAD SIGN STRUCTURES
SUPPORT FRAME DETAILS ALUMINUM TRUSS**

FAI ROUTE 70
SECTION 60-10K-1, 60-10-4HB
MADISON COUNTY